

PLEASE CHECK WWW.MOLEX.COM FOR LATEST PART INFORMATION

Part Number: [0473001020](#)
Status: **Active**
Overview: Slimline Serial ATA ODD Connectors
Description: 1.00mm, 1.27mm Pitch Slimline Serial ATA Plug for Optical Disk Drive with DIP Standard Type Soldering Tabs, Right Angle, Gold (Au) Flash Plating, with Pegs, 5.4mm Mounted Height, Lead-Free

Documents:

| | |
|--|--|
| 3D Model | Packaging Specification PK-47300-003 (PDF) |
| Drawing (PDF) | Packaging Specification PK-47300-004 (PDF) |
| Product Specification PS-47300-001-001 (PDF) | RoHS Certificate of Compliance (PDF) |
| Packaging Specification PK-47300-001 (PDF) | |

Agency Certification

CSA LR19980

General

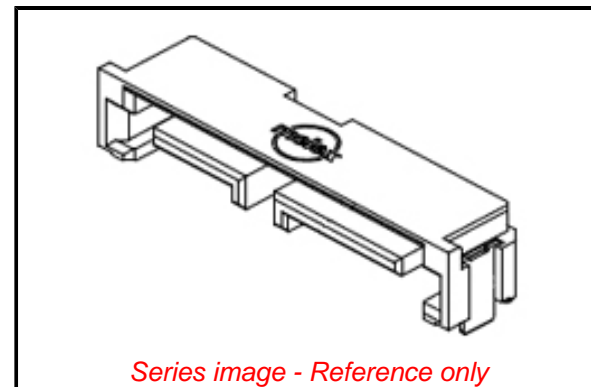
| | |
|----------------|--|
| Product Family | PCB Headers |
| Series | 47300 |
| Application | Board-to-Board, Signal |
| Comments | Soldering Standard Type |
| Overview | Slimline Serial ATA ODD Connectors |
| Product Name | Serial ATA, Slimline Serial ATA |
| UPC | 822350702843 |

Physical

| | |
|--------------------------------|--------------------------------|
| Breakaway | No |
| Circuits (Loaded) | 13 |
| Circuits (maximum) | 13 |
| Durability (mating cycles max) | 500 |
| First Mate / Last Break | Yes |
| Flammability | 94V-0 |
| Glow-Wire Compliant | No |
| Guide to Mating Part | Yes |
| Keying to Mating Part | Yes |
| Lock to Mating Part | No |
| Material - Plating Mating | Gold |
| Material - Plating Termination | Tin |
| Material - Resin | High Temperature Thermoplastic |
| Net Weight | 0.980/g |
| Number of Rows | 1 |
| Orientation | Right Angle |
| PCB Locator | Yes |
| PCB Retention | Yes |
| Packaging Type | Embossed Tape on Reel |
| Pitch - Mating Interface | 1.00mm, 1.27mm |
| Pitch - Termination Interface | 1.00mm, 1.27mm |
| Plating min - Mating | 0.051µm |
| Plating min - Termination | 1.016µm |
| Polarized to Mating Part | Yes |
| Polarized to PCB | Yes |
| Stackable | No |
| Temperature Range - Operating | -35°C to +85°C |
| Termination Interface: Style | Surface Mount |

Electrical

Current - Maximum per Contact 1.5A



EU ELV

Not Relevant

EU RoHS

Compliant

REACH SVHC

Not Contained Per
-ED/01/2017 (12
January 2017)

Halogen-Free

Status

Low-Halogen

Need more information on product environmental compliance?

Email productcompliance@molex.com
Please visit the [Contact Us](#) section for any non-product compliance questions.

| | |
|-----------------|---------------|
| China ROHS | Green Image |
| ELV | Not Relevant |
| RoHS Phthalates | Not Contained |

Search Parts in this Series

[47300 Series](#)

Mates With

[47628](#) , [47639](#) , [47645](#) , [47650](#) , [78380](#)
 , [48321](#) , [48325](#) , [48330](#) , [48336](#) , [47657](#)
Slimline Serial ATA Receptacles

Voltage - Maximum 15V DC

Solder Process Data

Duration at Max. Process Temperature (seconds) 010
Lead-free Process Capability REFLOW
Max. Cycles at Max. Process Temperature 001
Process Temperature max. C 260

Material Info

Reference - Drawing Numbers

Electrical Model Document EE-48325-001
Packaging Specification PK-47300-001, PK-47300-003, PK-47300-004
Product Specification PS-47300-001-001
S-Parameter Model SP-47300-100
Sales Drawing SD-47300-100

This document was generated on 03/08/2017

PLEASE CHECK WWW.MOLEX.COM FOR LATEST PART INFORMATION

Mouser Electronics

Authorized Distributor

Click to View Pricing, Inventory, Delivery & Lifecycle Information:

[Molex:](#)

[47300-1020](#)