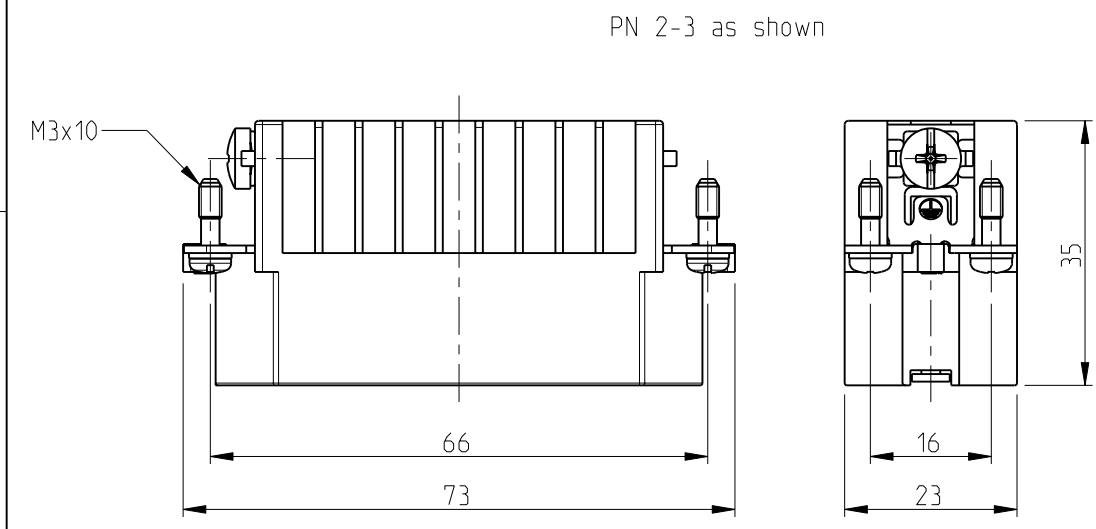
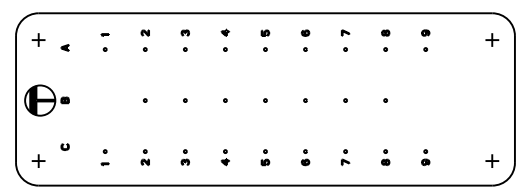


THIS DRAWING IS UNPUBLISHED. RELEASED FOR PUBLICATION .1997
 © COPYRIGHT 1997 BY TYCO ELECTRONICS CORPORATION. ALL RIGHTS RESERVED.

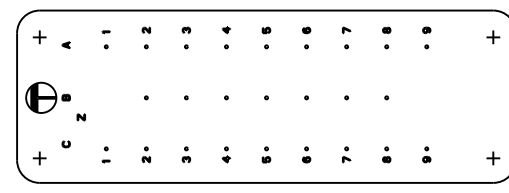
LOC A1	DIST	REVISIONS					
		P	LTR	DESCRIPTION	DATE	DWN	APVD
			A6	Released as per ECR-08-019210	31.Jul.2008	SP	TS



CONTACT ARRANGEMENT FOR PN 2-3 & 2-8
 VIEW FROM TERMINATION SIDE

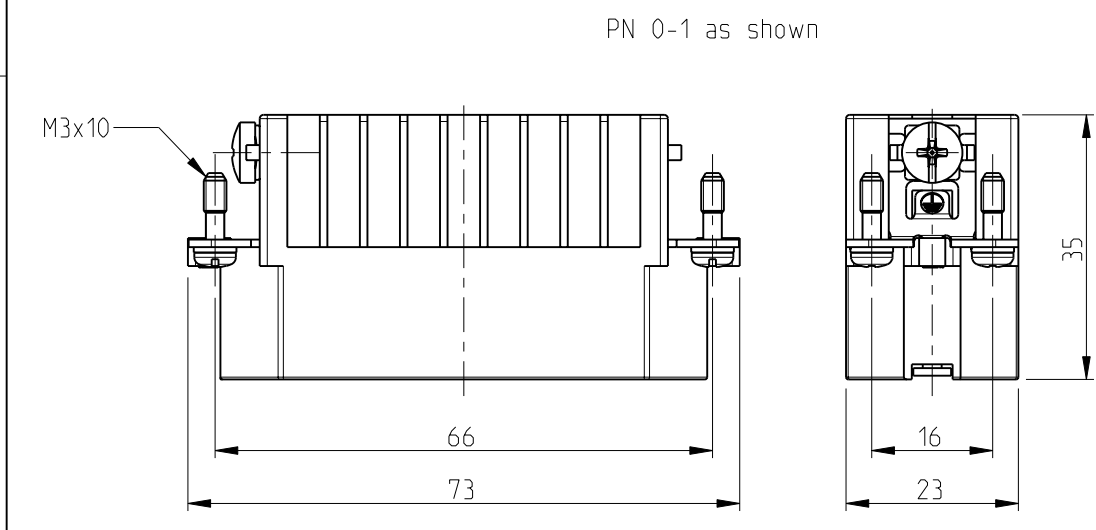


CONTACT ARRANGEMENT FOR PN 0-1
 VIEW FROM TERMINATION SIDE

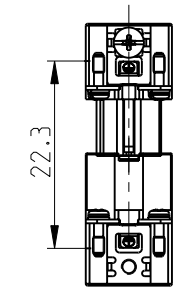


NOTES

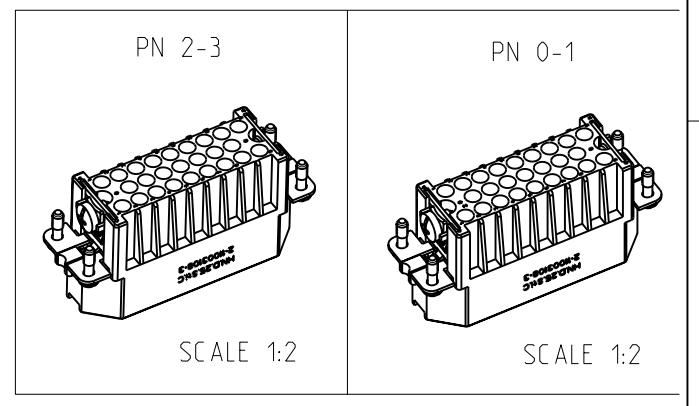
- 1 Material: Insert , PC UL-File Nr : E101788(R)
- 2 Finish: Zinc plated contact: Ag, Au
- 3 Packaging quantity 5 pieces in a box.



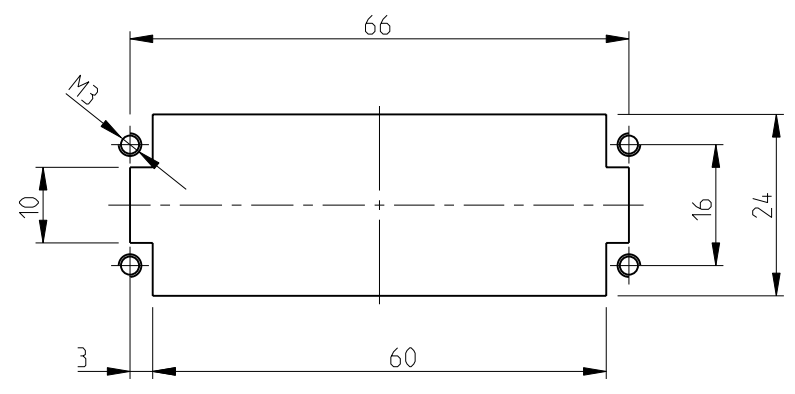
ASSEMBLING INSTRUCTION
 Max. 24mm was away for safe contacting



SCALE 1:2



Panel cutout for contact insert When used without housing



1	1	1	Male Insert HN.D25	Ryton	Dark Brown	2	
			Male Insert HN.D25	1	Dark Grey	1	
0-1	2-8	2-3	DESCRIPTION	MATERIAL	COLOR	ITEM NO	REMARKS
ORDERING TEXT							
HN.D25.Sti.C B1-25							
HN.D-RY.25.Sti.C B1-25							
HN.D25.Sti.C B1-25/Z							

THIS DRAWING IS A CONTROLLED DOCUMENT FOR TYCO ELECTRONICS CORPORATION IT IS SUBJECT TO CHANGE AND THE CONTROLLING ENGINEERING ORGANIZATION SHOULD BE CONTACTED FOR THE LATEST REVISION.		DWN Schneider 03.11.1998	Tyco Electronics Tyco Electronics.AMP.GmbH D-53819.Neunkirchen.Germany	
DIMENSIONS: mm		CHK Schweiger 03.11.1998	NAME Male insert HN.D.25.Sti.C	
TOLERANCES UNLESS OTHERWISE SPECIFIED: n.ISO 8015: n.ISO 2768-mS-E: n.DIN 16901-120		APVD -	SIZE A3	
0 PLC ± 1 PLC ± 2 PLC ± 3 PLC ± 4 PLC ± ANGLES ±		PRODUCT SPEC -	CAGE CODE 00779	DRAWING NO C=1103108
MATERIAL 1		APPLICATION SPEC -	WEIGHT 57 g	RESTRICTED TO
FINISH 2		CUSTOMER DRAWING		SCALE 1:1 SHEET 1 OF 1 REV A6

Mouser Electronics

Authorized Distributor

Click to View Pricing, Inventory, Delivery & Lifecycle Information:

[TE Connectivity:](#)

[2-1103108-3](#)