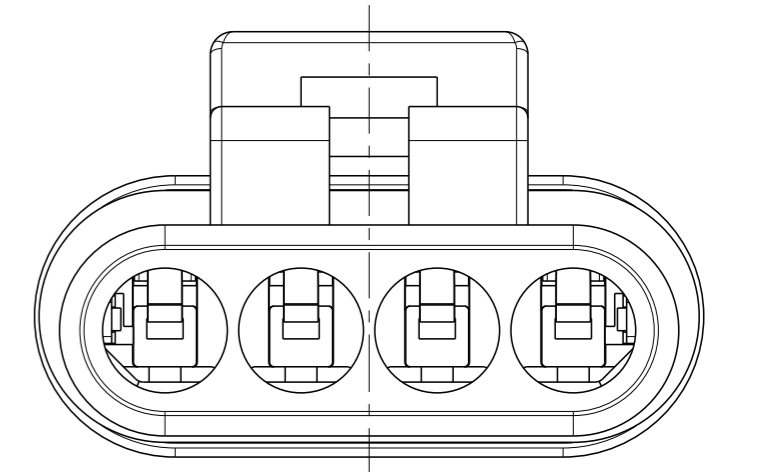
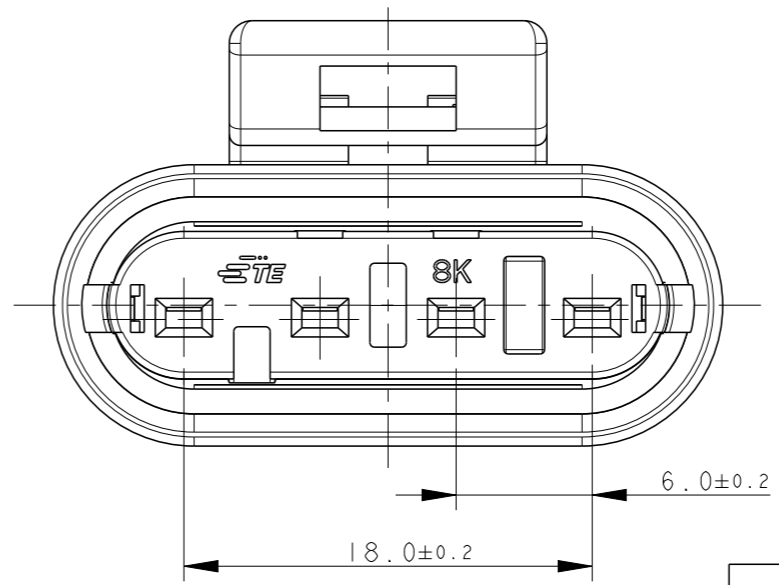
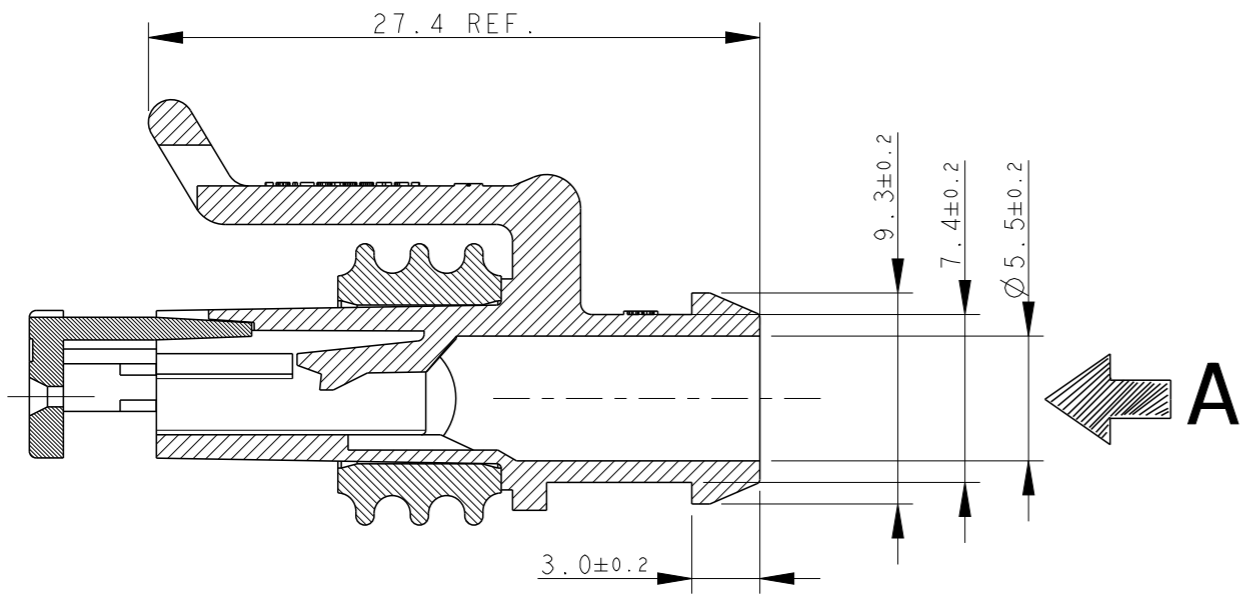
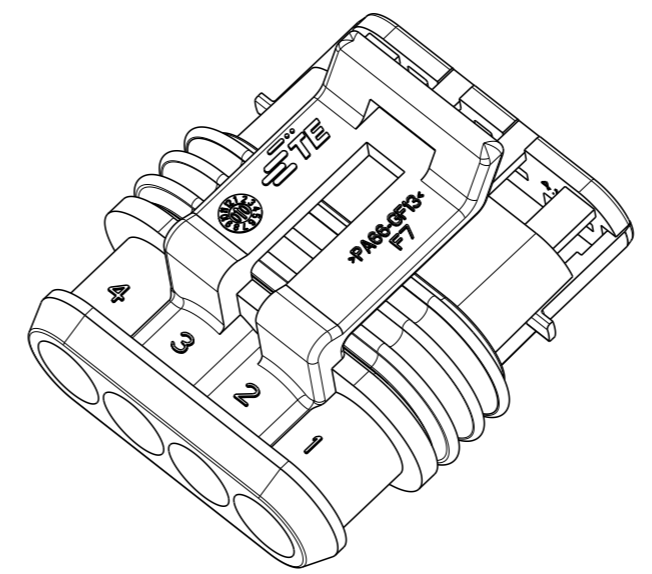
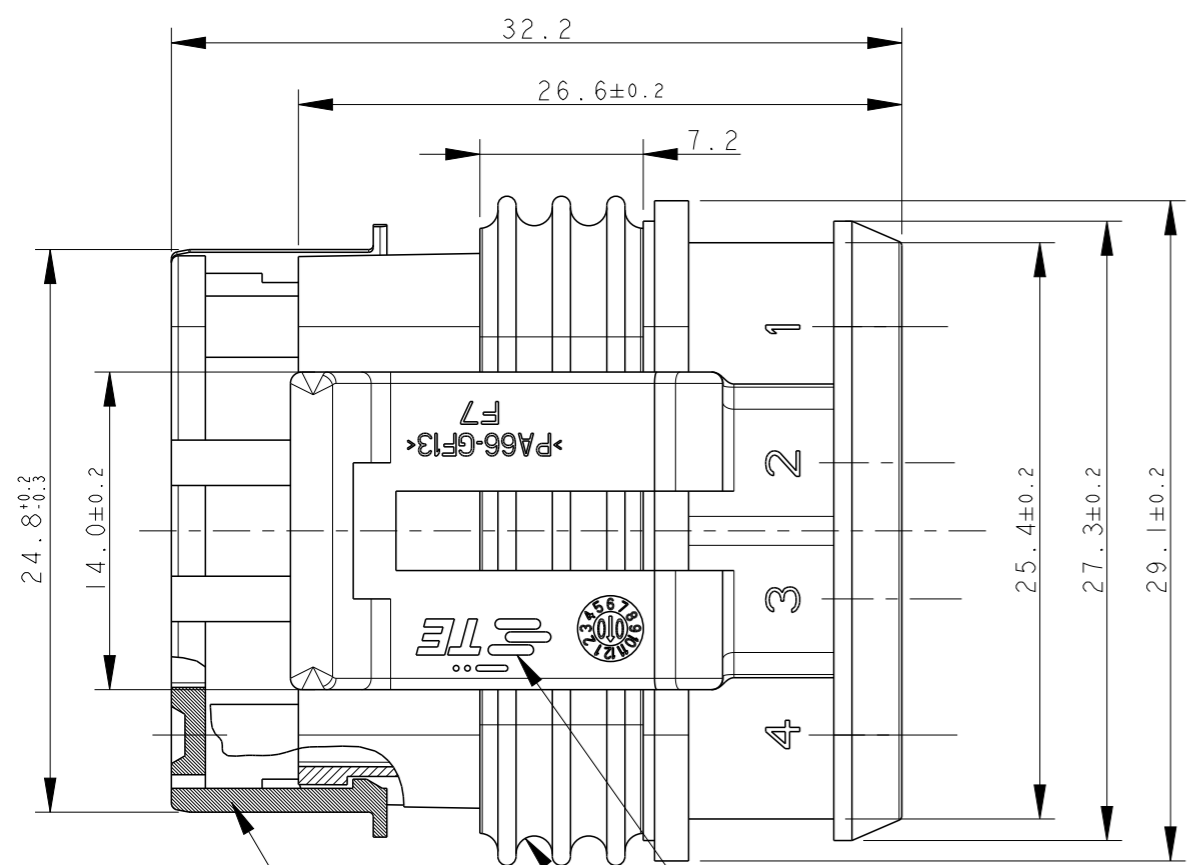


THIS DRAWING IS UNPUBLISHED. RELEASED FOR PUBLICATION 2007  
 © COPYRIGHT 2007 BY - ALL RIGHTS RESERVED.

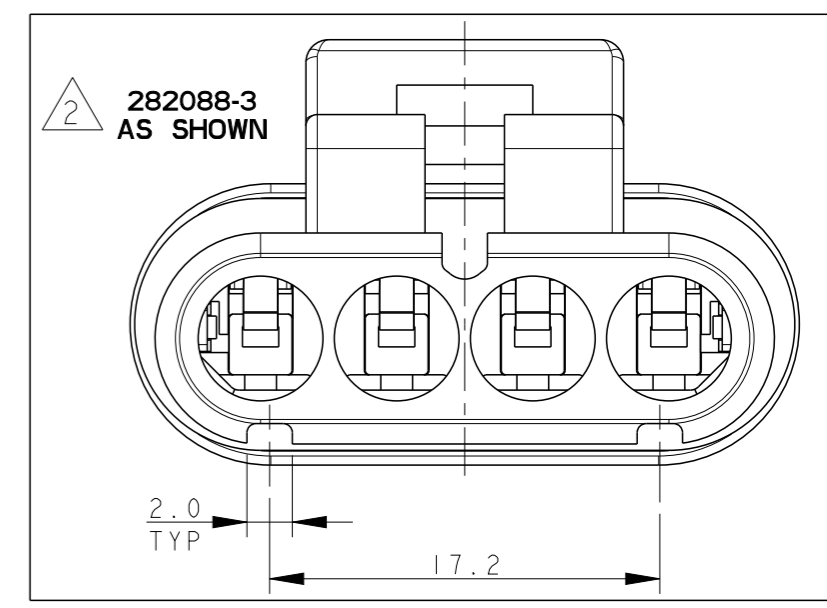
P	LTR	DESCRIPTION	DATE	DWN	APVD
F3		REVISED (ECR-15-014031)	2ESEP2015	M.G.	M.G.
F4		REVISED PER ECO-17-001706	10FEB2017	C.A.	M.G.



VIEW FROM "A"



282088-1 AS SHOWN



COLOUR	MATERIAL	PART NUMBER
2 BLACK	HOUSING+SEC.LOCK: PA66-GF SEALING: LSR	282088-3
GRAY		282088-2
BLACK		282088-1

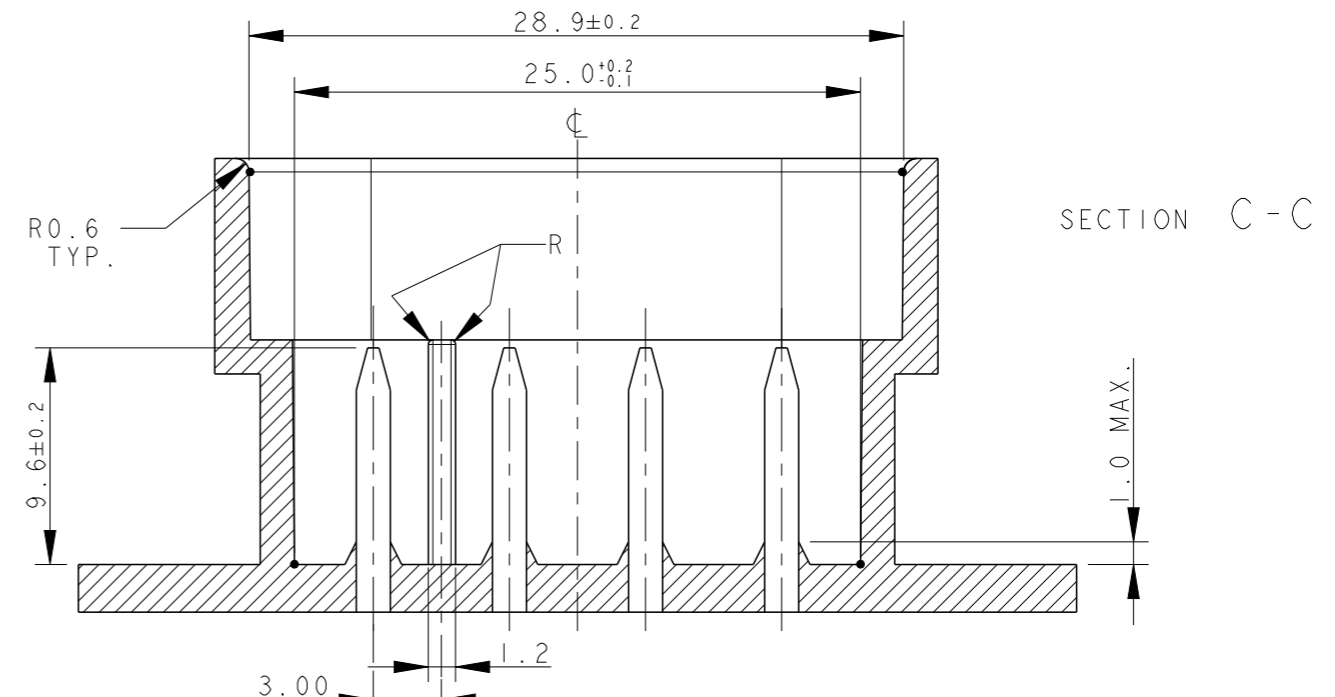
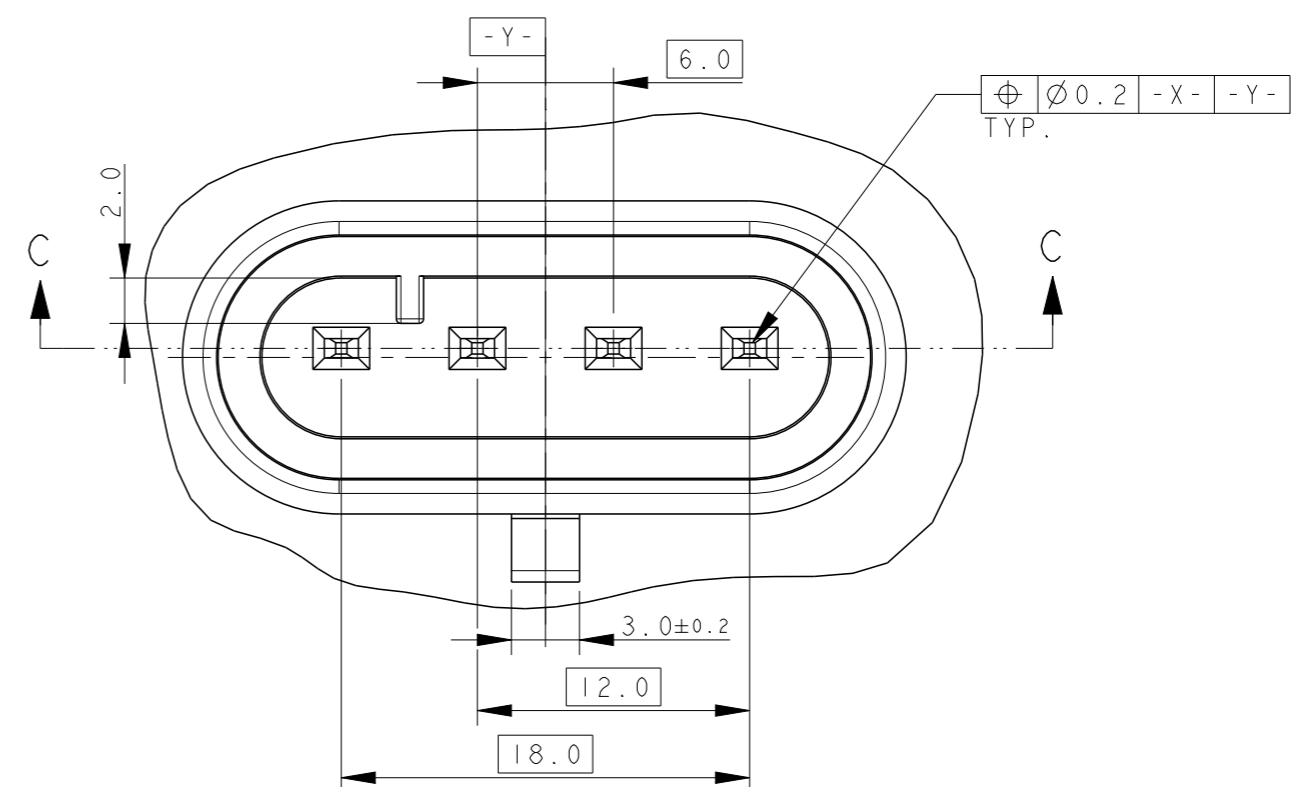
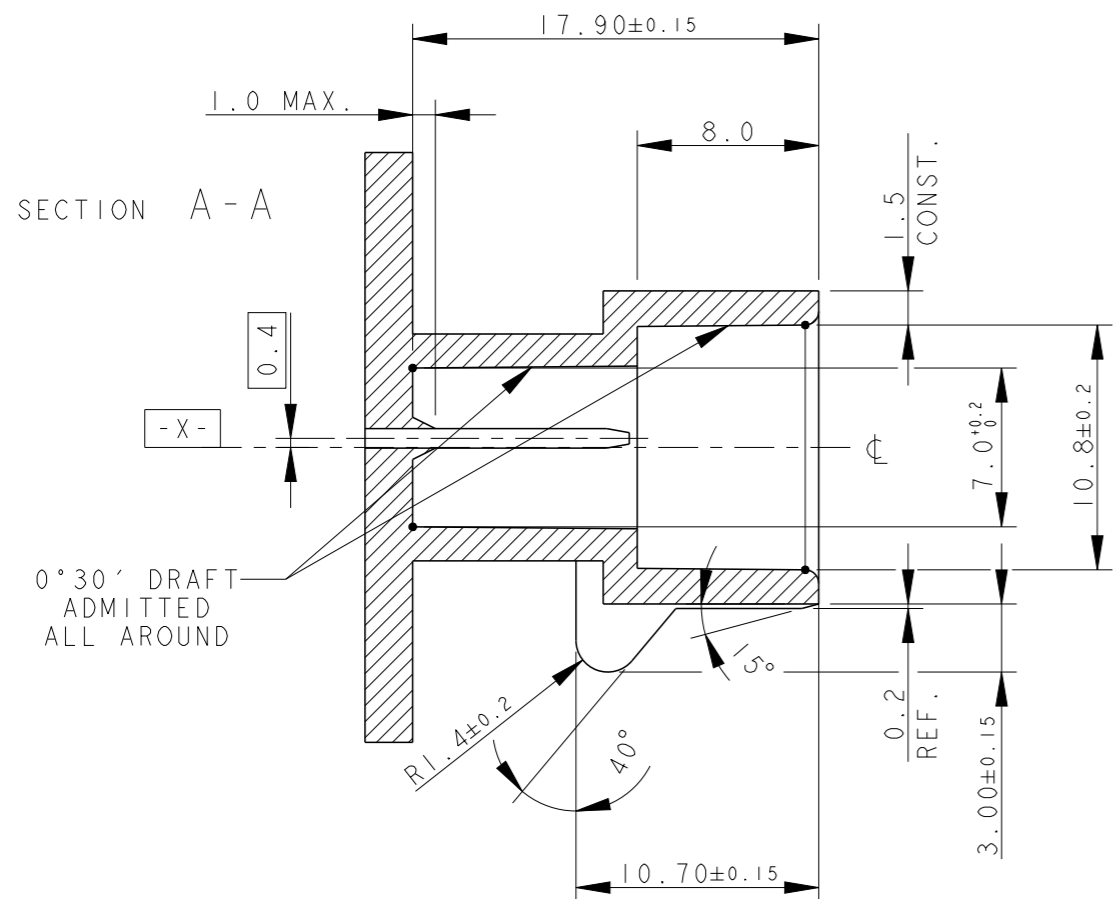
TE CONNECTIVITY TRADE MARK, (IN ALTERNATIVE: "AMP" LOGO, OR "Tyco Electronics" LOGO)  
 SEALING (COLOUR YELLOW)  
 PRE-ASSEMBLED SECONDARY LOCK (COLOUR RED)

1) FOR COUNTERPART DETAILS, SEE SHEET 2 OF 2  
 2 282088-3 DIFFERS FROM -1 FOR WHAT INDICATED

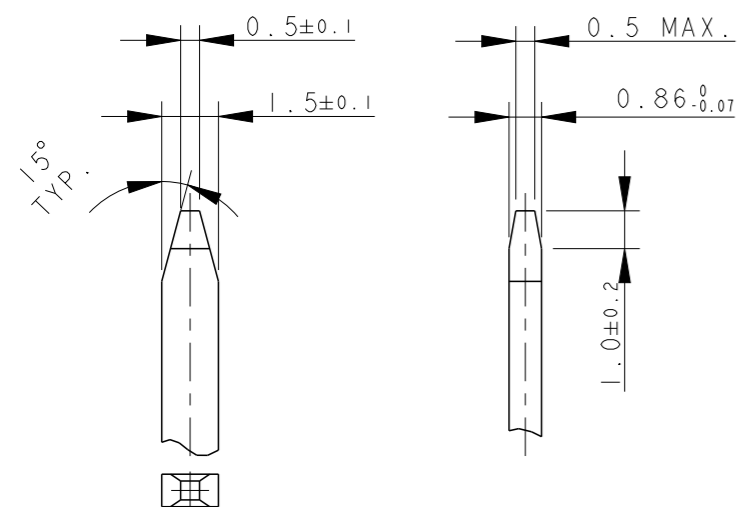
THIS DRAWING IS A CONTROLLED DOCUMENT.		DWN C. BERTINI 05-1992	TE Connectivity	
DIMENSIONS: mm		CHK A. BRUNI 05-1992		
TOLERANCES UNLESS OTHERWISE SPECIFIED:		APVD -	NAME -	
0 PLC ±-	1 PLC ±0.3	PRODUCT SPEC 108-20090	AMP SUPERSEAL 1.5 SRS. 4 POSITIONS PLUG ASS'Y	
2 PLC ±-	3 PLC ±-	APPLICATION SPEC 412-20000	SIZE A3	CAGE CODE 00779
4 PLC ±-	ANGLES ±2°	WEIGHT 4.65gr	DRAWING NO C-282088	RESTRICTED TO -
MATERIAL -	FINISH -	Customer Drawing	SCALE 3:1	SHEET 1 OF 2
SEE TABLE	SEE TABLE			REV F4

P	LTR	DESCRIPTION	DATE	DWN	APVD
-	-	SEE SHEET 1		-	-

### COUNTERPART DETAILS



### TAB DETAILS



**MATERIALS:** PA66-GF FOR HOUSING  
TIN PLATED BRASS FOR TABS

THIS DRAWING IS A CONTROLLED DOCUMENT.

DWN C. BERTINI 05-1992

CHK A. BRUNI 05-1992

APVD -

NAME

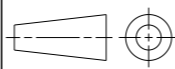


DIMENSIONS:

mm

TOLERANCES UNLESS OTHERWISE SPECIFIED:

- 0 PLC ±0.3
- 1 PLC ±0.1
- 2 PLC ±0.05
- 3 PLC ±
- 4 PLC ±
- ANGLES ±2°



MATERIAL



FINISH



PRODUCT SPEC 108-20090

APPLICATION SPEC 412-20000

WEIGHT 4.65gr

AMP SUPERSEAL 1.5 SRS.  
4 POSITIONS PLUG ASS'Y

SIZE CAGE CODE DRAWING NO RESTRICTED TO

A300779 C-282088

Customer Drawing

SCALE 1:1 SHEET 2 OF 2 REV F4

# Mouser Electronics

Authorized Distributor

Click to View Pricing, Inventory, Delivery & Lifecycle Information:

[TE Connectivity:](#)

[282088-1](#)