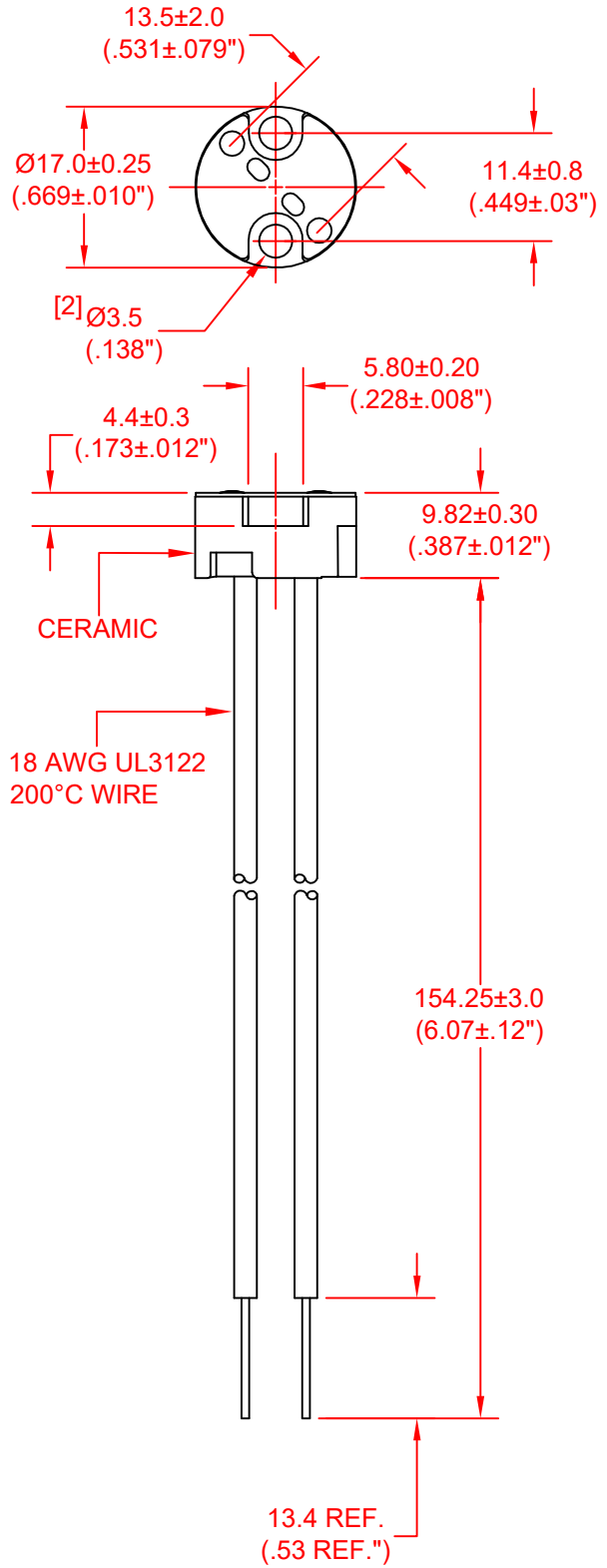
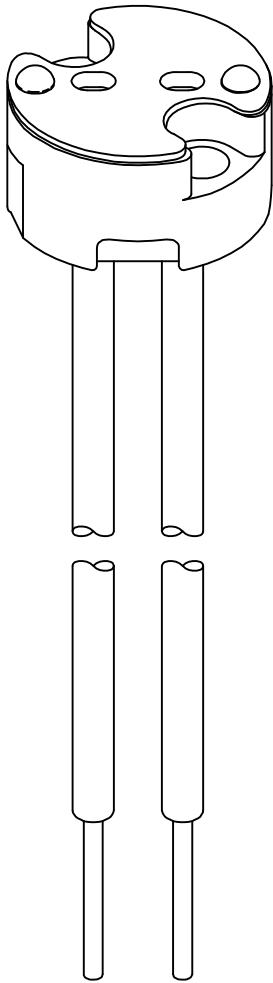


NOTES:

1. Electrical rating 250 Volts, 1000 Watts.
2. Use with G4, GX5.3 or G635 style lamps.
3. Contact retention force 2.0 - 4.0 lbs. per contact.



			<b>METRIC</b> DIMENSIONS ARE IN mm (INCHES) TOLERANCE UNLESS OTHERWISE SPECIFIED 1 PL +/- REF. 2 PL +/- REF. ANGLE +/-			<b>JKL COMPONENTS CORPORATION</b>																				
TITLE <b>MR16 LAMP SOCKET</b>			DRAWN BY L. WENGSTROM			APPVD BY DATE S.C. 8/21/18			SIZE <b>A</b>			FSCM NO. <b>55335</b>			DRAWING NO. <b>2993-G6</b>											
REV. NO.			DESCRIPTION/ECO			APPVD DATE			SCALE <b>NONE</b>			RELEASED DATE 11/26/07			REVISION DATE 8/21/18			REV. NO. <b>B</b>			SHEET NO. <b>1</b> OF <b>1</b>					
<b>B</b> CHNG. 11.4, 9.82, 154.25 TOLERANCE 8/21/18			<b>A</b> ADD NOTES 2/11/13			RELEASED 11/26/07			- CAD DRAWING - MANUAL REVISIONS NOT PERMITTED			NONE			11/26/07			8/21/18			B			1 OF 1		

# Mouser Electronics

Authorized Distributor

Click to View Pricing, Inventory, Delivery & Lifecycle Information:

[JKL Components:](#)

[2993-G6](#)