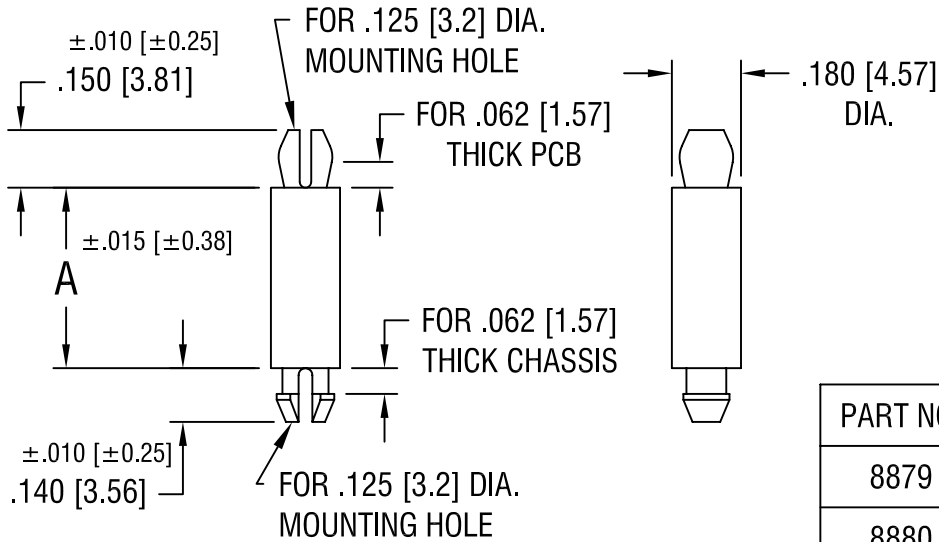


THIS DOCUMENT IS THE PROPERTY OF
KEYSTONE ELECTRONICS CORP. AND
SHALL NOT BE REPRODUCED, DISTRIBUTED
OR USED AS A BASIS FOR MANUFACTURE
WITHOUT PRIOR WRITTEN PERMISSION
FROM KEYSTONE ELECTRONICS CORP.



| PART NO. | 'A' DIM. |
|----------|---------------|
| 8879 | .125 [3.18] |
| 8880 | .187 [4.75] |
| 8881 | .250 [6.35] |
| 8882 | .375 [9.52] |
| 8883 | .500 [12.70] |
| 8884 | .625 [15.87] |
| 8885 | .750 [19.05] |
| 8886 | .875 [22.22] |
| 8887 | 1.000 [25.40] |

KEYSTONE ELECTRONICS CORP.

ASTORIA, N.Y. 11105-2017

| | | | |
|----------------------------|---------------------------|--------------------|-----------|
| PART NAME | | PC LOCK-IN SUPPORT | |
| MATERIAL | | NYLON UL 94V-0 | |
| FINISH | - | DRN BY | BOONE |
| | | APP'D | LN |
| | | DATE | 8.29.06 |
| | | SCALE | 2X |
| TOLERANCES | INCH [MM] | CODE | DWG NO. |
| DECIMAL | $\pm .005$ [± 0.15] | C/M | 8879-8887 |
| ANGULAR | $\pm 1^\circ$ | | |
| UNLESS OTHERWISE SPECIFIED | | | |

| DATE | DESCRIPTION | REV. |
|------|-------------|------|
| | | |

Mouser Electronics

Authorized Distributor

Click to View Pricing, Inventory, Delivery & Lifecycle Information:

[Keystone Electronics:](#)

[8883](#)