

FEATURES

- Circular Active Area
- Ideal for 225-400 nm Detection
- 100% Internal QE
- Welded Cap with UV Glass Window

Electro-Optical Characteristics at 25°C

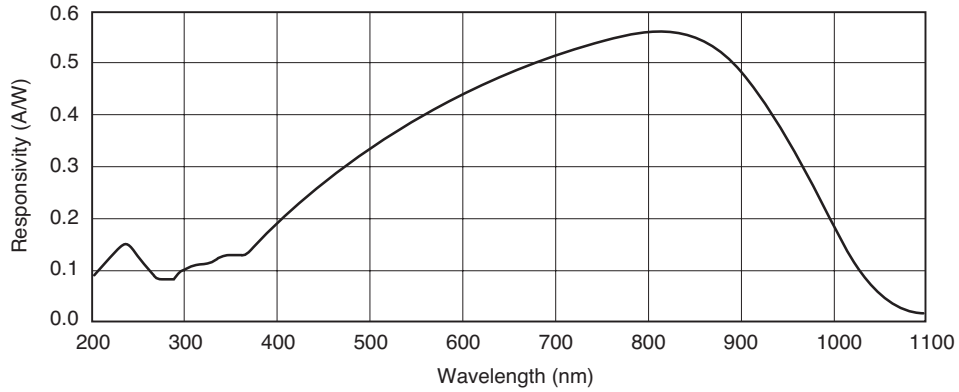
| Parameters | Test Conditions | Min | Typ | Max | Units |
|---|--------------------------------|------|-------|-----|-----------------|
| Active Area | Φ 2.5 mm | | 5 | | mm ² |
| Responsivity | @ 254 nm, V _R = 0 V | 0.09 | 0.115 | | A/W |
| Dark Current, I _{dr} | V _R = 6 V | | | 1 | nA |
| Reverse Breakdown Voltage, V _R | I _R = 1 μA | 25 | 50 | | Volts |
| Capacitance, C | V _R = 0 V | | | 2 | nF |
| Response Time | V _R = 0 V | | 1 | 2 | μsec |

Thermal Parameters

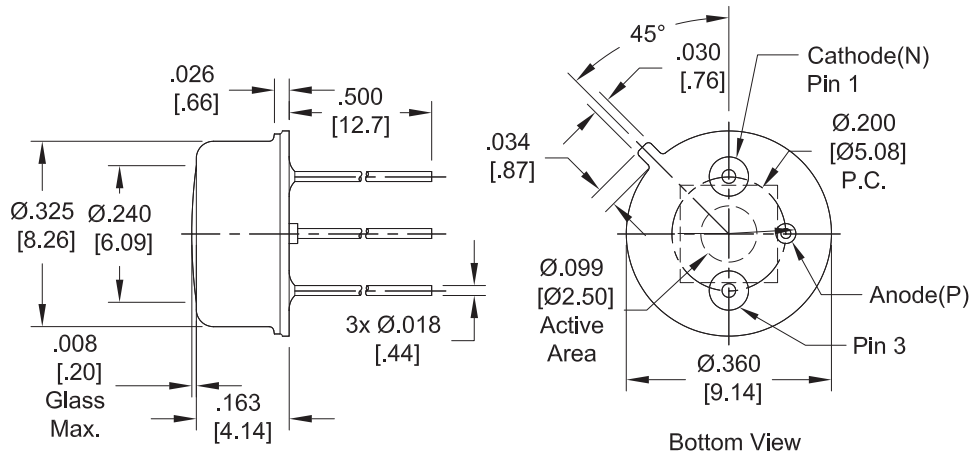
| Storage and Operating Temperature Range | Units |
|---|---------------|
| Storage Temperature Range | -20°C to 80°C |
| Maximum Junction Temperature | 80°C |
| Lead Soldering Temperature ¹ | 240°C |

¹0.0625" from case for 10 seconds.

Typical Photon Responsivity



Package Information



Dimensions are in inch [metric] units.

Specifications are subject to change without prior notice.