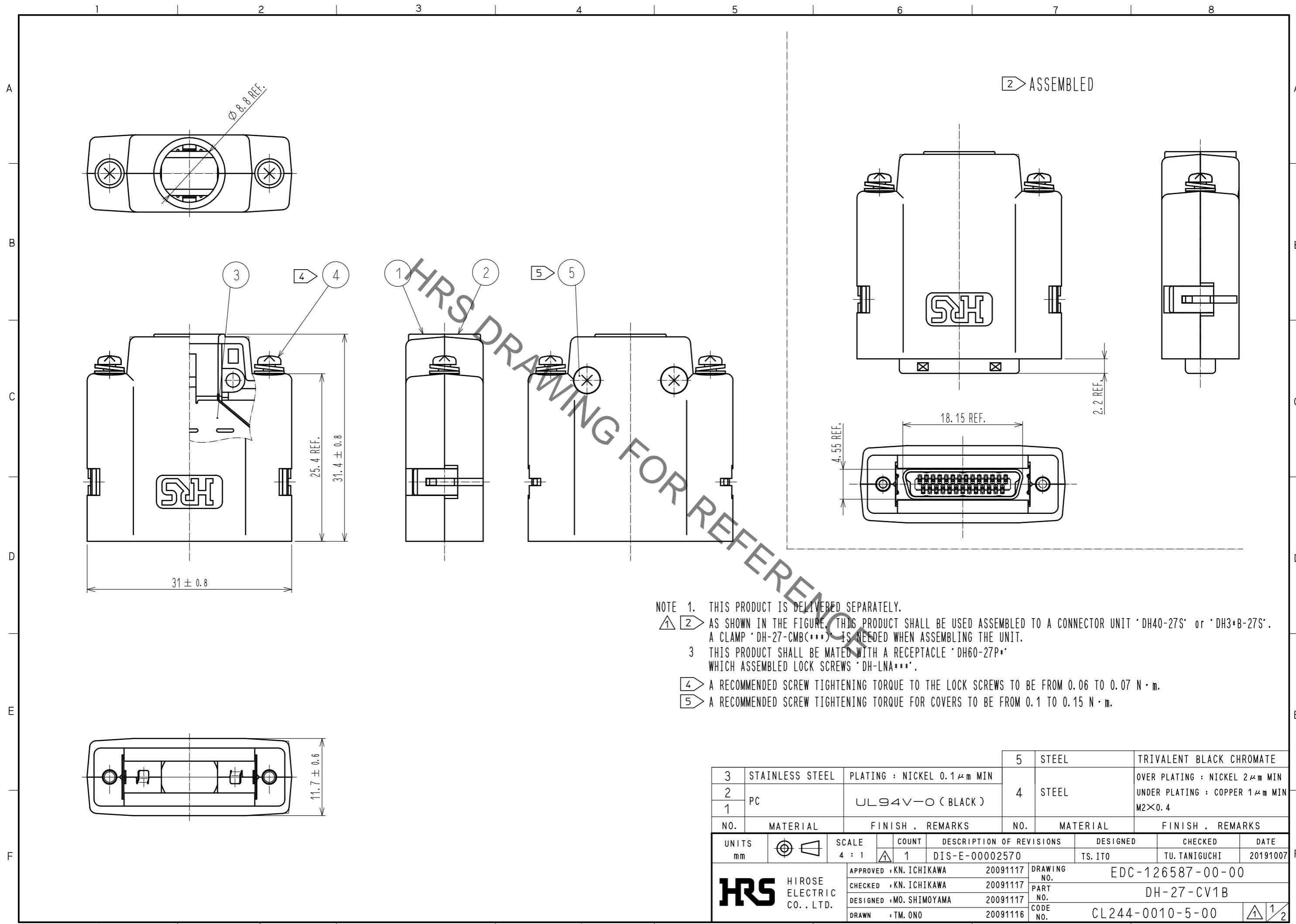


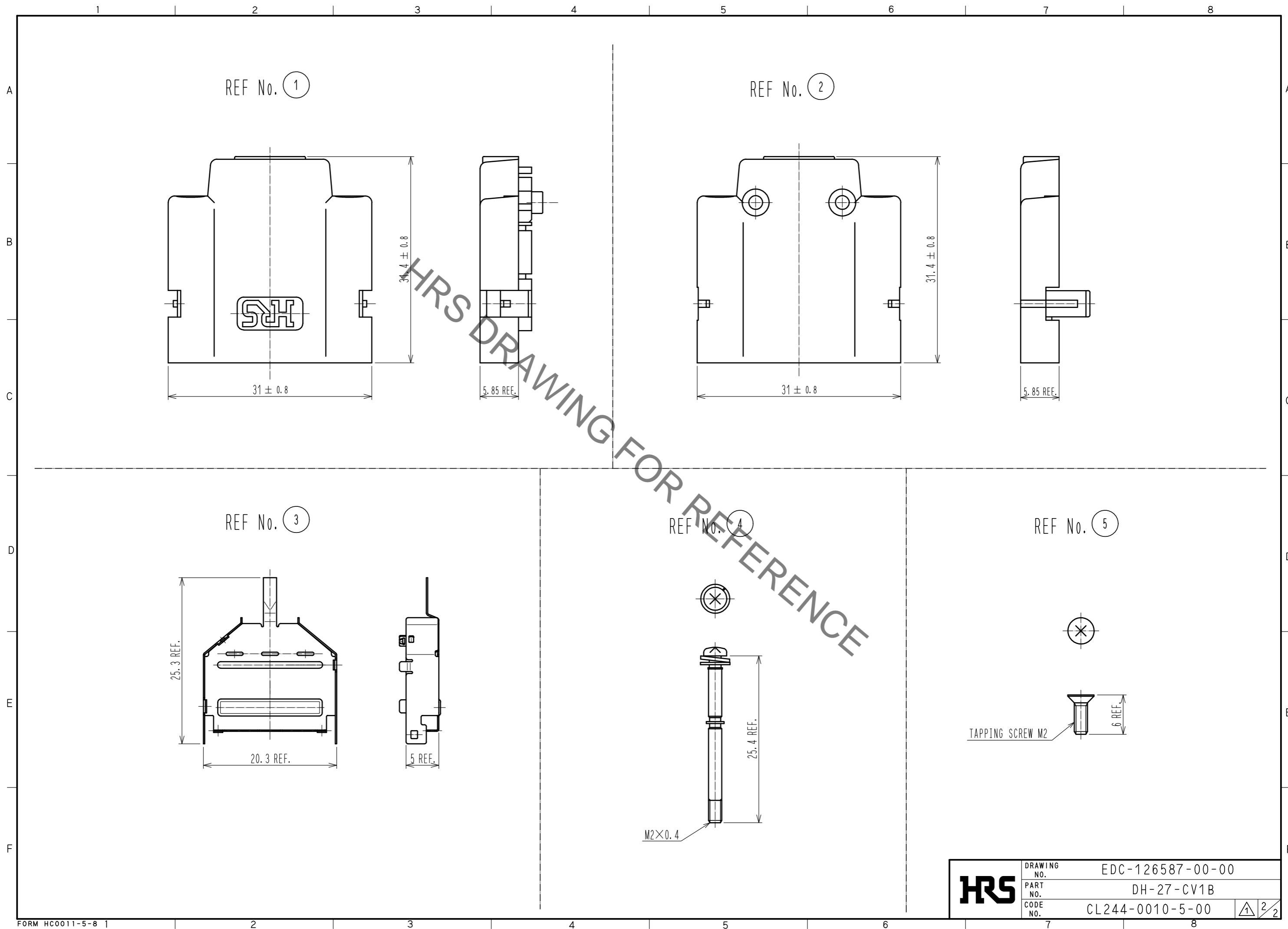
Oct.1.2020 Copyright 2020 HIROSE ELECTRIC CO., LTD. All Rights Reserved.  
 In case of consideration for using Automotive equipment / device which demand high reliability, kindly contact our sales window correspondents.



- NOTE 1. THIS PRODUCT IS DELIVERED SEPARATELY.
- ① ② AS SHOWN IN THE FIGURE, THIS PRODUCT SHALL BE USED ASSEMBLED TO A CONNECTOR UNIT 'DH40-27S' or 'DH3+B-27S'. A CLAMP 'DH-27-CMB(\*\*\*)' IS NEEDED WHEN ASSEMBLING THE UNIT.
- 3 THIS PRODUCT SHALL BE MATED WITH A RECEPTACLE 'DH60-27P\*' WHICH ASSEMBLED LOCK SCREWS 'DH-LNA\*\*\*'.
- ④ A RECOMMENDED SCREW TIGHTENING TORQUE TO THE LOCK SCREWS TO BE FROM 0.06 TO 0.07 N · m.
- ⑤ A RECOMMENDED SCREW TIGHTENING TORQUE FOR COVERS TO BE FROM 0.1 TO 0.15 N · m.

3	STAINLESS STEEL	PLATING : NICKEL 0.1 μm MIN	5	STEEL	TRIVALENT BLACK CHROMATE
2	PC	UL94V-O (BLACK)	4	STEEL	OVER PLATING : NICKEL 2 μm MIN
1					UNDER PLATING : COPPER 1 μm MIN
NO.	MATERIAL	FINISH . REMARKS	NO.	MATERIAL	FINISH . REMARKS
UNITS mm		SCALE 4 : 1	COUNT 1	DESCRIPTION OF REVISIONS DIS-E-00002570	
DESIGNED TS. ITO		CHECKED TU. TANIGUCHI		DATE 20191007	
APPROVED : KN. ICHIKAWA 20091117			DRAWING NO. EDC-126587-00-00		
CHECKED : KN. ICHIKAWA 20091117			PART NO. DH-27-CV1B		
DESIGNED : MO. SHIMOYAMA 20091117			CODE NO. CL244-0010-5-00		
DRAWN : TM. ONO 20091116					

Oct.1.2020 Copyright 2020 HIROSE ELECTRIC CO., LTD. All Rights Reserved.  
In case of consideration for using Automotive equipment / device which demand high reliability, kindly contact our sales window correspondents.



<b>HRS</b>	DRAWING NO.	EDC-126587-00-00
	PART NO.	DH-27-CV1B
	CODE NO.	CL244-0010-5-00
		2/2