

**PLEASE CHECK WWW.MOLEX.COM FOR LATEST PART INFORMATION**

**Part Number:** [0685031602](#)  
**Status:** **Active**  
**Description:** 4.00mm Pitch, OBD-II Wire-to-Wire Male Housing, 16 Circuits

**Documents:**

|  |  |
|--|--|
| <a href="#">Drawing (PDF)</a>                                | <a href="#">Packaging Specification PK-68504-001 (PDF)</a> |
| <a href="#">Product Specification PS-68503-001-001 (PDF)</a> | <a href="#">Packaging Specification PK-68505-001 (PDF)</a> |
| <a href="#">Packaging Specification PK-68503-001 (PDF)</a>   | <a href="#">RoHS Certificate of Compliance (PDF)</a>       |

**General**

|                |                     |
|----------------|---------------------|
| Product Family | Crimp Housings      |
| Series         | 68503               |
| Application    | Power, Wire-to-Wire |
| Product Name   | OBD-II              |
| UPC            | 756054305683        |

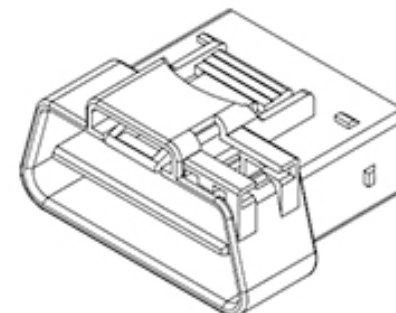
**Physical**

|                               |                |
|-------------------------------|----------------|
| Circuits (maximum)            | 16             |
| Color - Resin                 | Black          |
| Gender                        | Plug           |
| Glow-Wire Capable             | No             |
| Keying to Mating Part         | None           |
| Lock to Mating Part           | Yes            |
| Material - Resin              | Polyester      |
| Net Weight                    | 9.480/g        |
| Number of Rows                | 2              |
| Packaging Type                | Bag            |
| Panel Mount                   | No             |
| Pitch - Mating Interface      | 4.00mm         |
| Stackable                     | No             |
| Temperature Range - Operating | -10°C to +85°C |

**Material Info**

**Reference - Drawing Numbers**

|                         |  |
|-------------------------|--|
| Packaging Specification | PK-68503-001, PK-68504-001, PK-68505-001 |
| Product Specification   | PS-68503-001-001                         |
| Sales Drawing           | SD-68503-004                             |



*Series image - Reference only*

**EU ELV**

**Compliant**

**EU RoHS**

**Compliant**

**REACH SVHC**

Not Contained Per  
-ED/01/2018 (15  
January 2018)

**Halogen-Free**

**Status**

**Low-Halogen**

**Need more information on product environmental compliance?**

Email [productcompliance@molex.com](mailto:productcompliance@molex.com)  
Please visit the [Contact Us](#) section for any non-product compliance questions.

China ROHS

ELV

RoHS Phthalates

Green Image

Compliant

Not Contained

**Search Parts in this Series**

[68503 Series](#)

**Mates With**

OBD-II Receptacle Housings [51115-1601](#) ,  
[51116-1601](#)

**Use With**

OBD-II Male Terminal [57964-9702](#)

# Mouser Electronics

Authorized Distributor

Click to View Pricing, Inventory, Delivery & Lifecycle Information:

[Molex:](#)

[68503-1602](#)