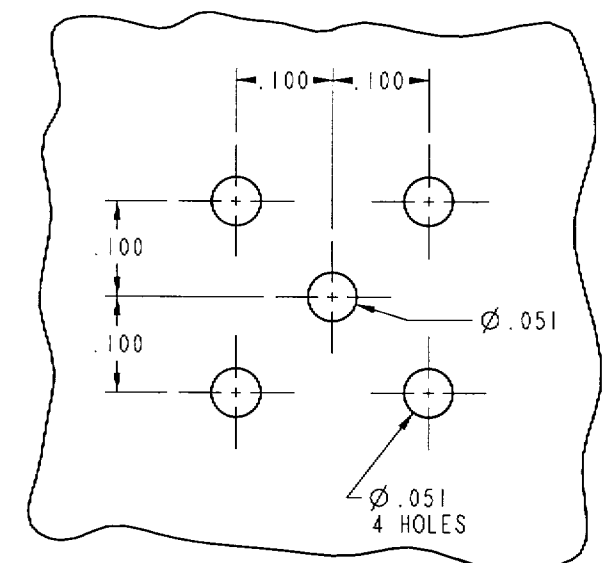
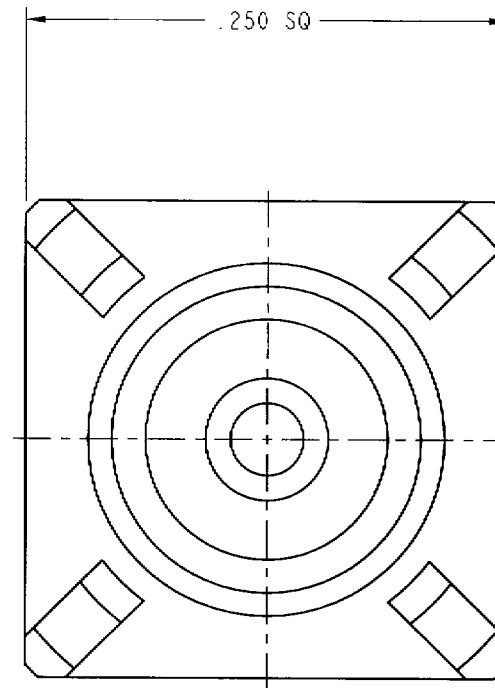
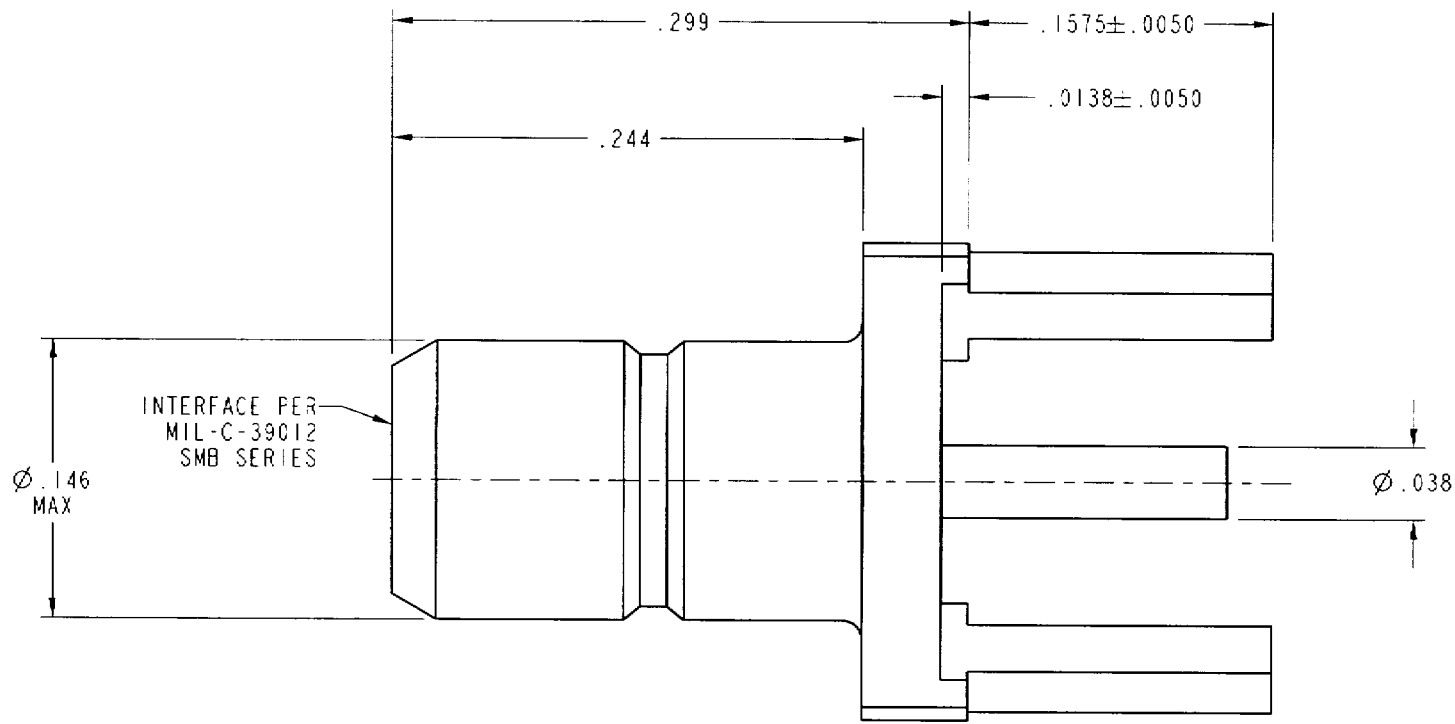
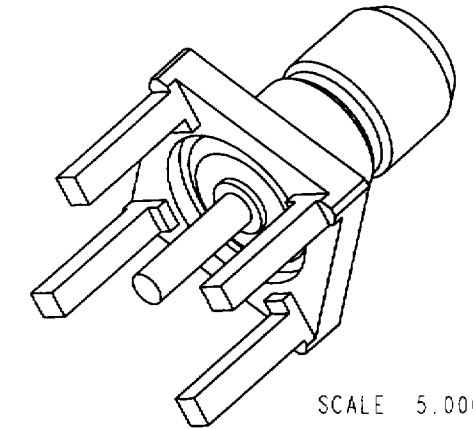


NOTES:

- MATERIALS AND FINISHES:  
 BODY - BRASS, WHITE BRONZE PLATE (.000080 NOM THK) OVER COPPER FLASH.  
 CONTACT - BRASS, GOLD PLATE PER MIL-G-45204.
- DO NOT SCALE THIS DRAWING.
- UNLESS OTHERWISE SPECIFIED, ALL DIMENSIONS ARE AFTER PLATING.

903-496J-51S		REVISIONS			
DRAWING NO.	REV	DESCRIPTION	DATE	ECO	APPR
THIRD ANGLE PROJ.	A	OFFICIAL ENG RELEASE TO MFG	02/26/90	37094	PB
	C	REDRAWN, SEE ECO FOR DETAILS	12-4-96	41686	DL/BG



CUSTOMER OUTLINE DRAWING

UNLESS OTHERWISE SPECIFIED, DIMENSIONS ARE IN INCHES AND TOLERANCES ARE: 2 PLACE DECIMAL 3 PLACE DECIMAL ANGLES ±.015 (0.381 mm) ±.005 (0.127 mm) ± 1°	MATERIAL	DRAWN D. LUI	DATE 20-Nov-96	TITLE <b>SMB JACK PCB RECEPTACLE</b>		<b>Amphenol</b> Amphenol Corporation Communication and Network Products Division Danbury, CT U.S.A. 06810	
	REFERENCE	ENGINEER P. BRENZEL	DATE 26-Feb-90				
NOTICE - These drawings, specifications, or other data (1) are, and remain the property of Amphenol Corp. (2) must be returned upon request; and (3) are confidential and not to be disclosed to any person other than those to whom they are given by Amphenol Corp. The furnishing of these drawings, specifications, or other data by Amphenol Corp., or to any other person to anyone for any purpose is not to be regarded by implication or otherwise in any manner licensing, granting rights or permitting such holder or any other person to manufacture, use or sell any product, process or design, patented or otherwise, that may in any way be related to or disclosed by said drawings, specifications, or other data.	EAR 111-961409 SX 02B 2005 S0 GEN# ASSYM2-SMB	CAD FILE	CODE ID	DWG SIZE	DRAWING NO.	REV	
		I:\SMB\903-496J-51S	74868	B	903-496J-51S	C	

# Mouser Electronics

Authorized Distributor

Click to View Pricing, Inventory, Delivery & Lifecycle Information:

[Amphenol:](#)

[903-305J-51R](#) [903-496J-51S](#) [027-1](#)