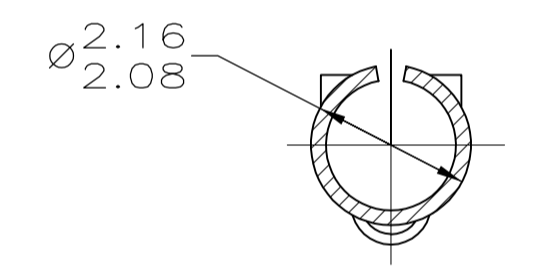
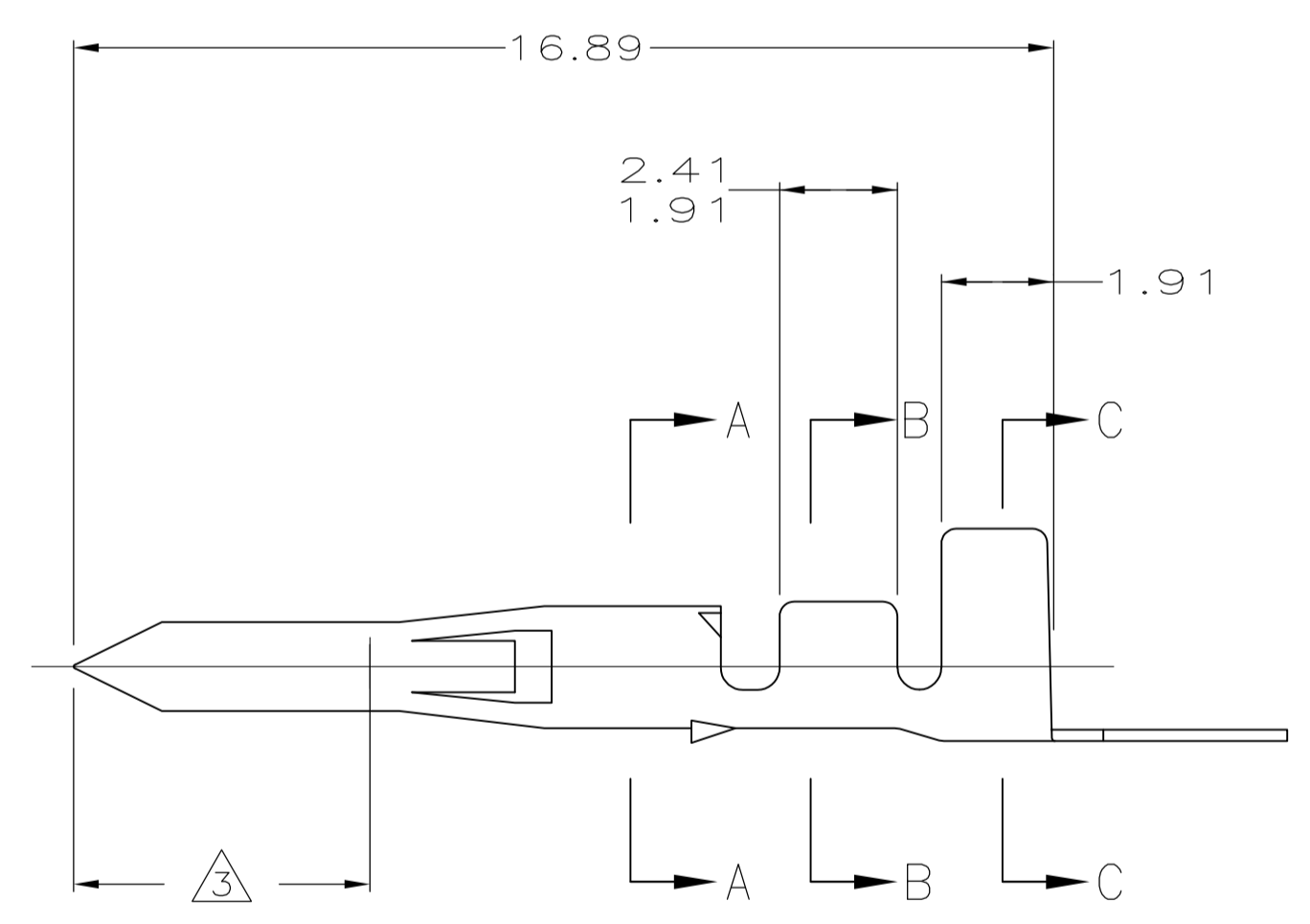
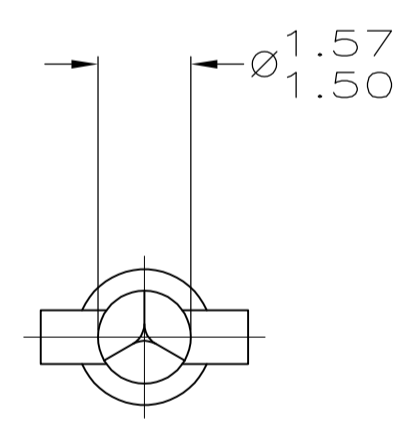
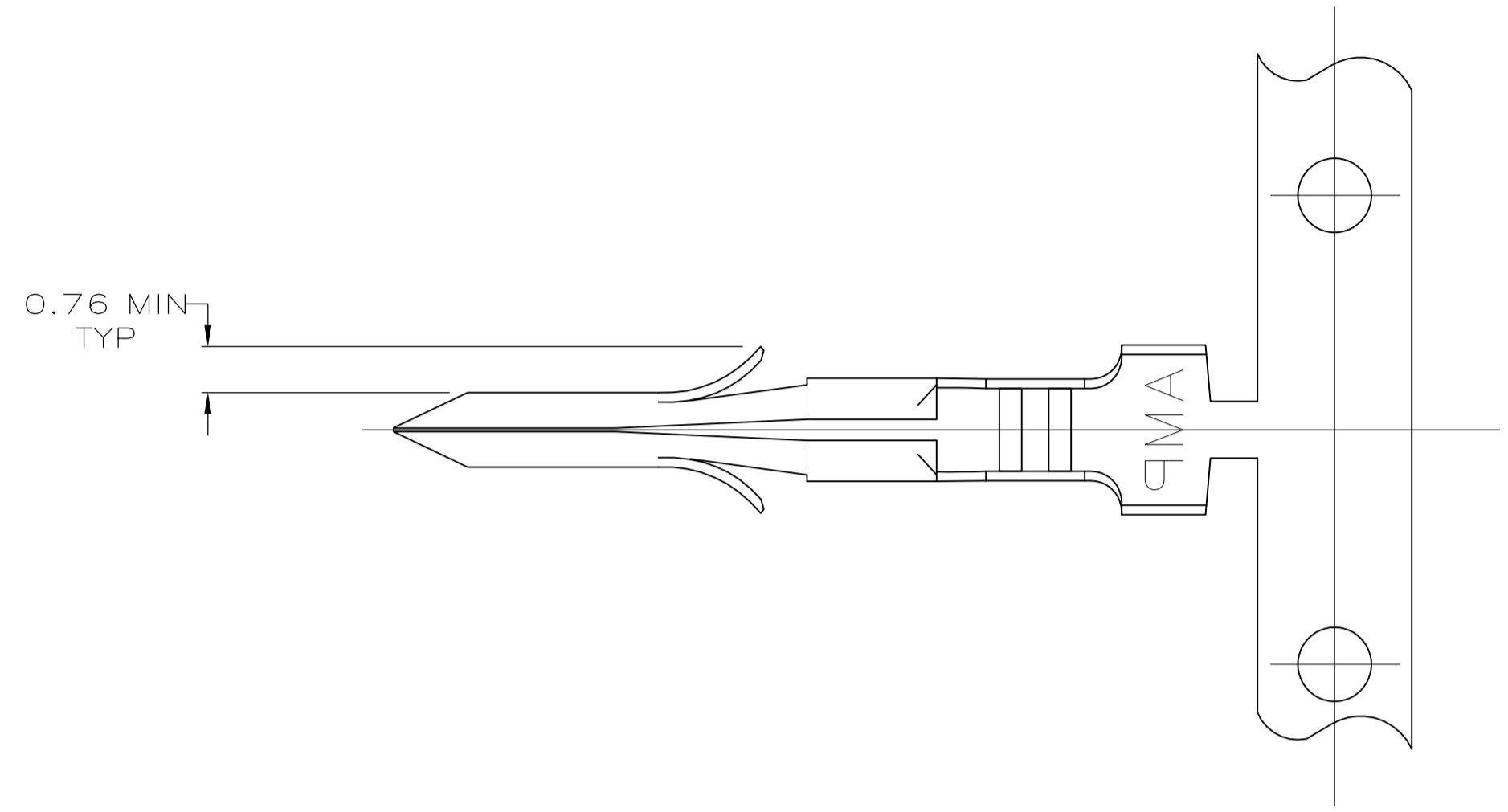
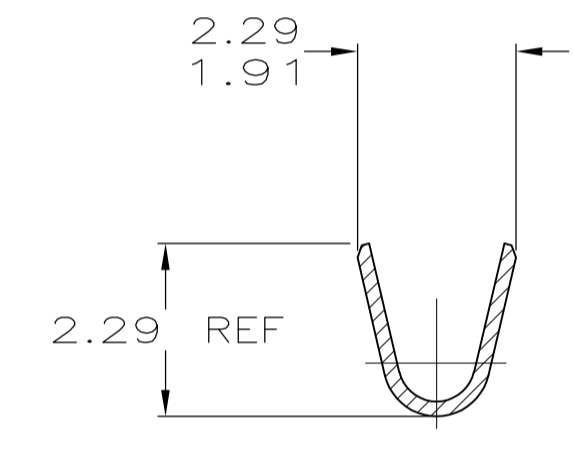


LOC		DIST		REVISIONS			
P	LTR	DESCRIPTION	DATE	DMN	APVD		
U1		REVISED PER ECO-11-004917	11MAR11	RK	HMR		

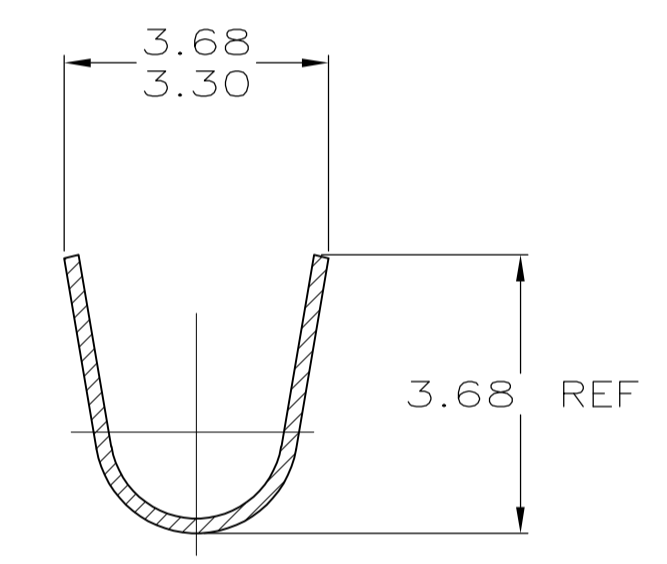
$\Delta$  NICKEL OVER ENTIRE TERMINAL WITH 0.00076 THICK GOLD OVER 5.08 LENGTH.



SECTION A-A  
SCALE 10:1



SECTION B-B  
SCALE 10:1



SECTION C-C  
SCALE 10:1

MM	IN	MM	IN	MM	IN
1.50	.059	2.41	.095	-	-
1.27	.050	2.29	.090	16.89	.665
0.76	.030	2.16	.085	5.08	.200
0.20	.008	2.08	.082	3.68	.145
0.13	.005	1.91	.075	3.30	.130
0.00076	0.00030	1.57	.062	2.79	.110

CONVERSION TABLE

PRE-TIN	MATERIAL	INSULATION DIAMETER	WIRE RANGE	PART NO
	0.20 PH BRZ	1.27 - 2.79	0.2 - 0.9 mm <sup>2</sup> (24-18 AWG)	350629-8
$\Delta$	0.20 BRASS	1.27 - 2.79	0.2 - 0.9 mm <sup>2</sup> (24-18 AWG)	350629-5
PRE-TIN	0.20 BRASS	1.27 - 2.79	0.2 - 0.9 mm <sup>2</sup> (24-18 AWG)	350629-1

THIS DRAWING IS A CONTROLLED DOCUMENT.

APPROVED: **B. LEWIS** 9-12-90  
 CHECKED: **R. SWING** 9-13-90  
 DRAWN: **C. CASH** 9-27-90

**STE** TE Connectivity

NAME: .062 PIN, COMMERCIAL PIN AND SOCKET

SIZE: A1    CASE CODE: C=350629    DRAWING NO: 00779

WEIGHT: --    RESTRICTED TO: --

CUSTOMER DRAWING    SCALE: 8:1    SHEET: 1 OF 1    REV: U1