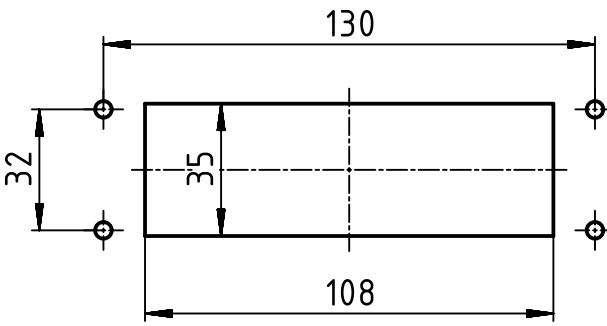


(1:2) panel cut out



	All Dimensions in mm Original Size DIN A4		Scale	Free size tol.		Ref.	
	All rights reserved Department EL PD - DE		1:1			Sub.	
	HARTING Electric GmbH & Co. KG D-32339 Espelkamp		Created by	Inspected by	Standardisation	Date	State
			PRIESTER	SCHNIEDER	TIEMANNA	2014-03-18	Final Release
	Title Han B Base Panel 4 Pegs Metal Cover						Doc-Key / ECM-Nr. 100197705/UGD/004/A 500000072647
			Type	Number		Rev.	Page
			TB	09 30 024 0317		A	1/1

Mouser Electronics

Authorized Distributor

Click to View Pricing, Inventory, Delivery & Lifecycle Information:

[HARTING:](#)

[09300240317](#)