

P		LTR	REVISIONS AENDERUNGEN	DESCRIPTION	DATE	DWN	APVD
			BESCHREIBUNG				
	A2		DESCRIPTION CORRECTED FROM SOLDER TO SCREW TERMINAL IN TITLE BLOCK		13NOV2014	CR	JK

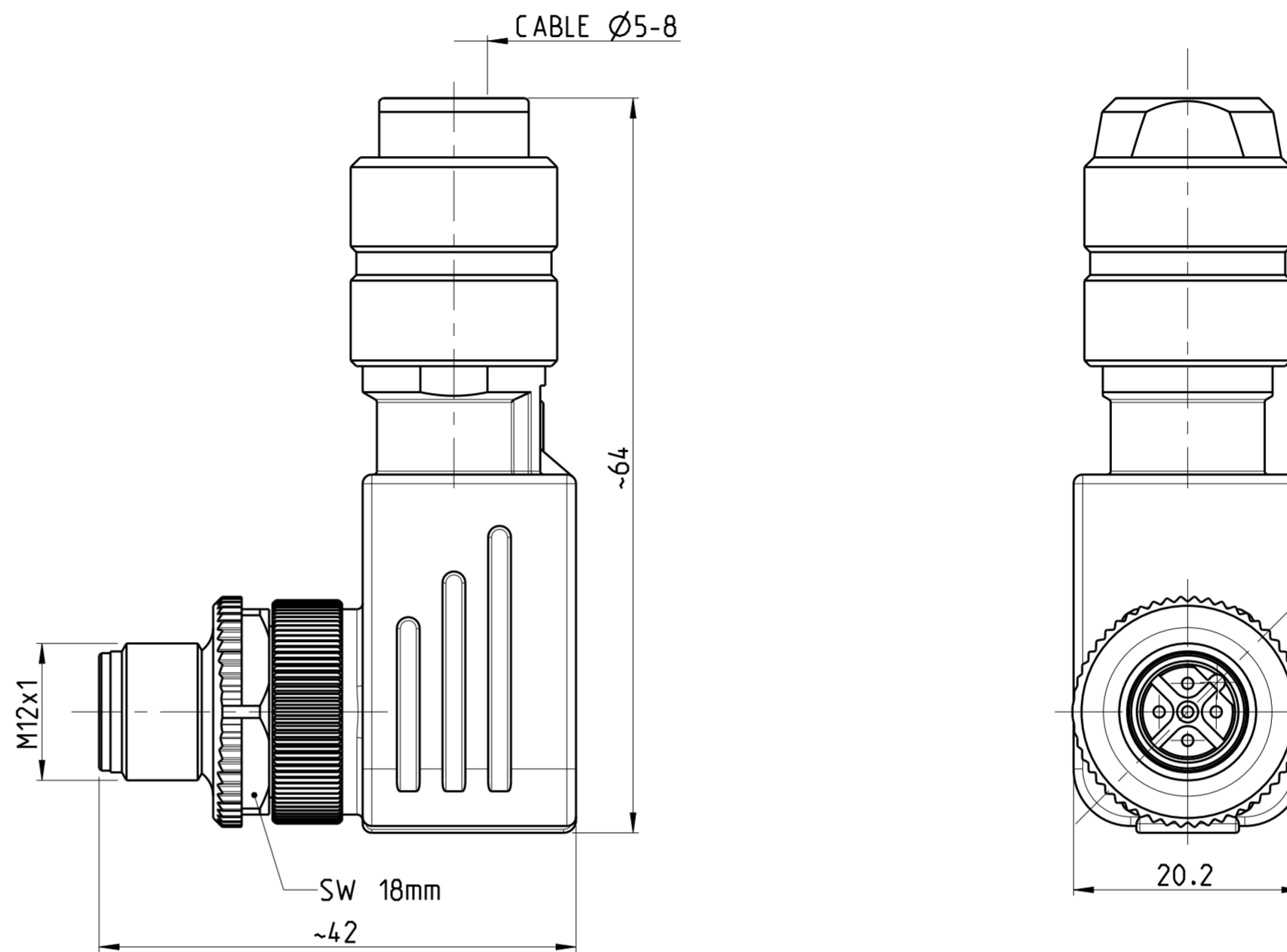
1 MATERIAL: ITEM NO. 1: HOUSING - ZINC DIECASTING, NICKEL PLATED, PBT
 ITEM NO. 2: CONTACT BODY - PA
 ITEM NO. 3: CONTACT - CuSn (brass)
 CONTACT FINISH - Au (gold)

2 ALL DIMENSIONS ARE FOR NOMINAL REFERENCE ONLY UNLESS OTHERWISE STATED

3 MEASUREMENT REFERENCE ONLY

4 PACKAGING: 1 PIECE IN A BAG

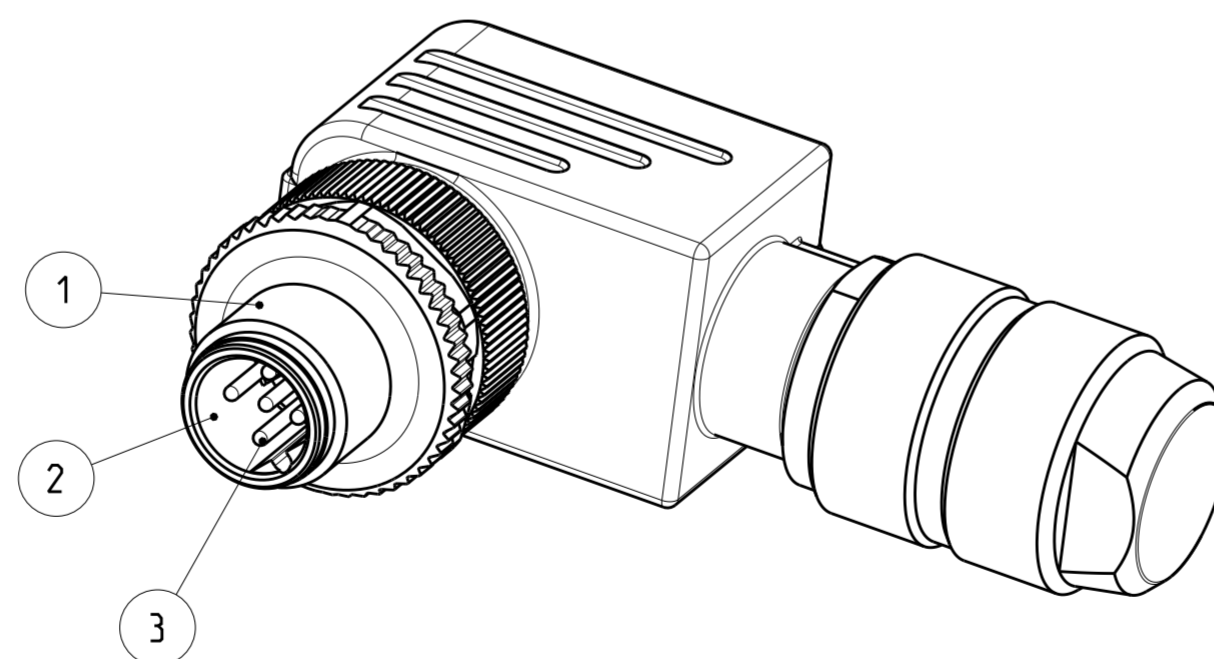
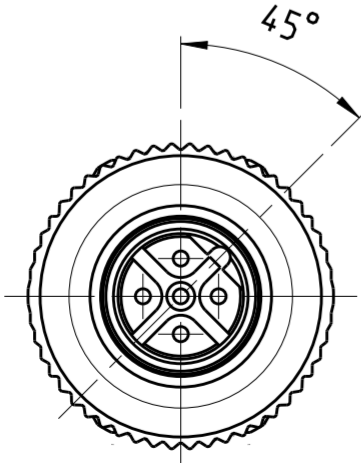
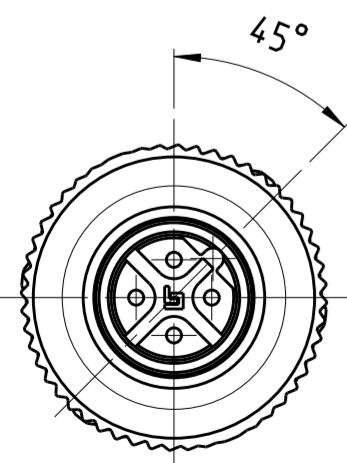
TECHNICAL DATA	3-2271125-2	4-2271125-2
RATED VOLTAGE	250V	125V
RATED IMPULSE VOLTAGE	2500V	1500V
POLLUTION DEGREE	3	3
OVERVOLTAGE CATEGORY	II	II
MATERIAL GROUP	III	III
RATED CURRENT	4A	4A
VOLUME RESISTIVITY	≤ 3mΩ	≤ 3mΩ
DEGREE OF PROTECTION	IP67	IP67
UPPER TEMPERATURE	+85 °C	+85 °C
LOWER TEMPERATURE	-40 °C	-40 °C



PIN ARRANGEMENT B-CODING (SCALE 2:1)

3-2271125-2

4-2271125-2



4-2 AS SHOWN WIE GEZEICHNET

CABLE FEED-THROUGH mm	WIRES AWG / mm ²	MATERIAL	NUMBER OF POLES	TE-PART-NO.
5-8	20 / 0.50mm ²	⚠	5	4-2271125-2
5-8	20 / 0.50mm ²	⚠	4	3-2271125-2

DIESE ZEICHNUNG IST EIN KONTROLLIERTES DOKUMENT. BEMASSUNGEN UND TOLERANZEN GEMAESS GPS (ISO STANDARDS). THIS DRAWING IS A CONTROLLED DOCUMENT. DIMENSIONING AND TOLERANCING PER GPS (ISO STANDARDS).

DWN YASHKUMAR 22MAY2014
 CHK M.STRELOW 22MAY2014
 APVD C.SCHREITLINGER 22MAY2014

STE TE Connectivity
 NAME M12 MALE 90 DEG ANGLED FIELD INSTALLABLE, SHIELDED CONNECTOR, SCREW TERMINALS, B-CODING
 SIZE A2 CAGE CODE 00779 DRAWING NO. C-2271125
 RESTRICTED TO NUR FÜR -
 Customer Drawing /KUNDENZEICHNUNG SCALE MASSSTAB 2:1 SHEET BLATT 1 OF 1 REV A2

SIZE ISO 14405 (E)

Mouser Electronics

Authorized Distributor

Click to View Pricing, Inventory, Delivery & Lifecycle Information:

[TE Connectivity:](#)

[4-2271125-2](#)