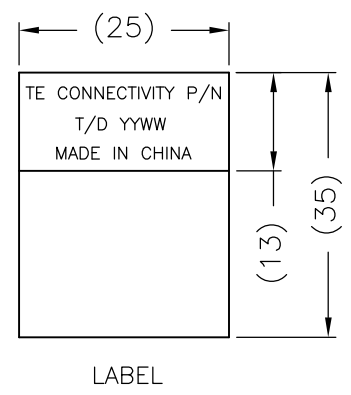
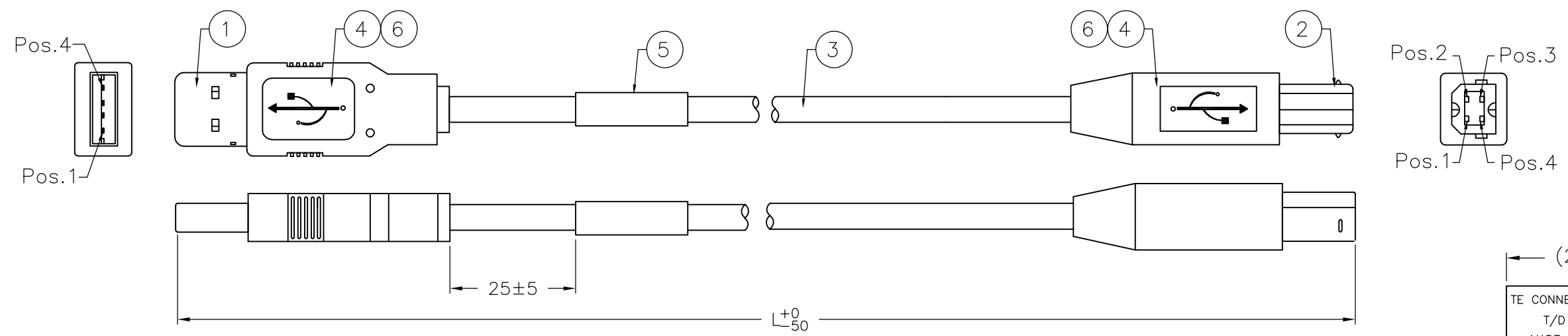


THIS DRAWING IS UNPUBLISHED. RELEASED FOR PUBLICATION
 © COPYRIGHT - By - ALL RIGHTS RESERVED.

| | | | | | | | |
|-----|------|-----------|-----|---------------------------|---------|-----|------|
| LOC | DIST | REVISIONS | | | | | |
| GP | 00 | P | LTR | DESCRIPTION | DATE | DWN | APVD |
| | | | C1 | REVISED PER ECO-11-005033 | 23MAR11 | RK | HMR |

Tooling Drawing NO.
 USB A: TR00662
 USB B: TR00664



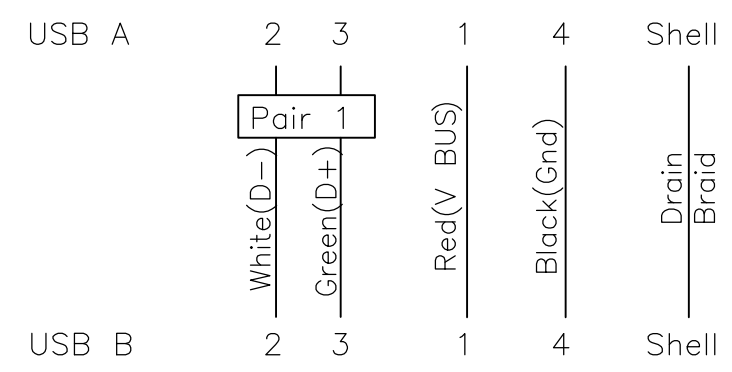
NOTES:

1. TESTED FOR CONTINUITY, SHORTS AND OPENS, HI-POT 630V FOR 10MS.
2. CABLE ASSEMBLY MEETS USB 2.0 STANDARDS.
3. EXPOSED CABLE BRAID IS NOT PERMISSIBLE BEYOND OVERMOLD.
4. THE FINAL CABLE ASSEMBLY MAXIMUM LENGTH NOT TO EXCEED 1700MM PER USB SPECIFICATIONS.
5. MEETS REQUIREMENTS OF EU DIRECTIVE 2002/95/EC

| | | | |
|-----------|-----------|-----------|-----------|
| PART NO. | 1487587-1 | 1487587-2 | 1487587-3 |
| LENGTH(L) | 1000 | 1300 | 830 |

| | | | | | |
|----|----|----|-----|---|------|
| AR | AR | AR | MR | COPPER FOIL, W: 5MM, 360° SOLDER | 6 |
| 1 | 1 | 1 | PC | Lable, 25x35mm, White 25x13mm | 5 |
| AR | AR | AR | KG | Overmold PVC, 40P, Color: White(WH01) | 4 |
| AR | AR | AR | MR | USB 2.0 Cable 28AWG*1P+26AWG*2C+Al/Mylar +Drain+Braid, Color: White(WH01). | 3 |
| 1 | 1 | 1 | EA | USB 4Pin Connector Contacts: Gold 30U Plated, Shell: Nickel Plated, Housing UL94V-0 B Type. | 2 |
| 1 | 1 | 1 | EA | USB 4Pin Connector Contacts: Gold 30U Plated, Shell: Nickel Plated, Housing UL94V-0 A Type. | 1 |
| -3 | -2 | -1 | U/M | DESCRIPTION | ITEM |

PIN ASSIGNMENT :



THIS DRAWING IS A CONTROLLED DOCUMENT.

| | | | |
|------------------|--|-----------------------|--|
| DIMENSIONS: mm | TOLERANCES UNLESS OTHERWISE SPECIFIED: | DWN BOVEY LIU 25FEB02 | TE Connectivity NAME: USB A TYPE TO USB B TYPE CABLE ASSEMBLY |
| | 0 PLC ± - | CHK J.HUNT 25FEB02 | |
| | 1 PLC ± - | APVD J.HUNT 25FEB02 | |
| MATERIAL | FINISH | PRODUCT SPEC | |
| | | APPLICATION SPEC | A3 00779 C-1487587 |
| | | WEIGHT | SCALE N.T.S SHEET 1 OF 1 REV C1 |
| CUSTOMER DRAWING | | | |

Mouser Electronics

Authorized Distributor

Click to View Pricing, Inventory, Delivery & Lifecycle Information:

[TE Connectivity:](#)

[1487587-2](#)