

**pui  
audio**™ inc  
a projects unlimited company

## AI-2437-TWT-R 24mm Indicator

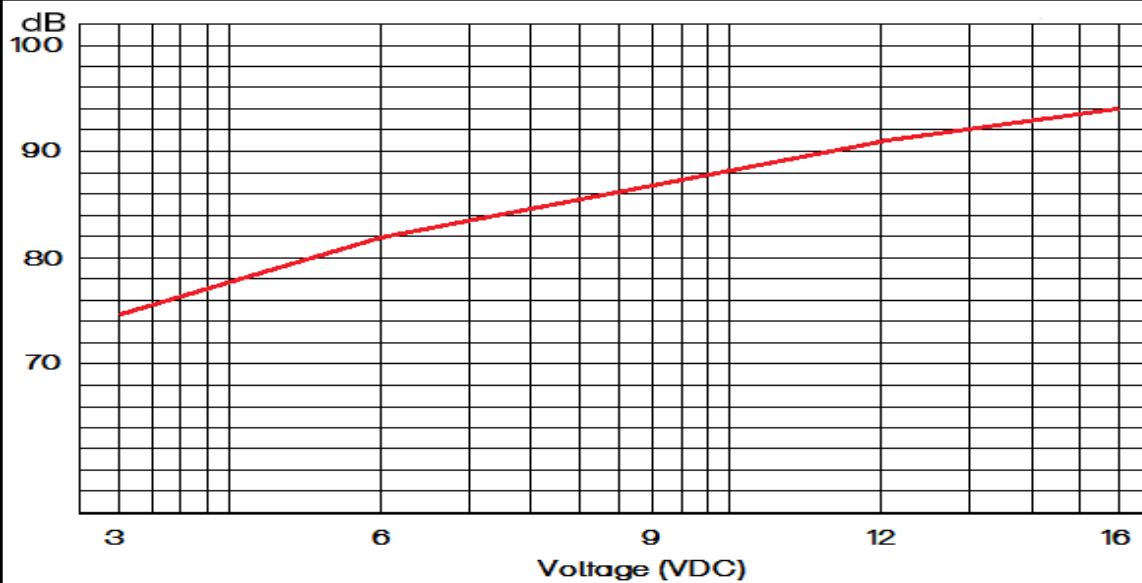
3541 Stop Eight Road • Dayton, Ohio 45414

### Product Overview

- 24mm diameter, 3-16 VDC self-drive indicator
- 100 dBA minimum output (12 VDC @ 10 cm) and 3,700 Hz continuous tone
- High-temp ABS 777 housing withstands Wave soldering temperatures
- Removable wash tag preserves performance

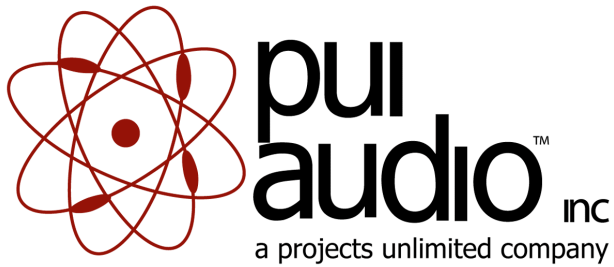


**SPL vs Voltage (measured @ 30 cm)**



RoHS Compliant





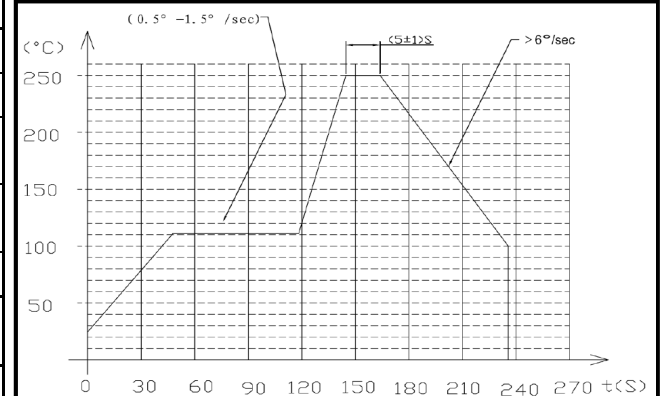
# AI-2437-TWT-R 24mm Indicator

## Mechanical and Environment Testing

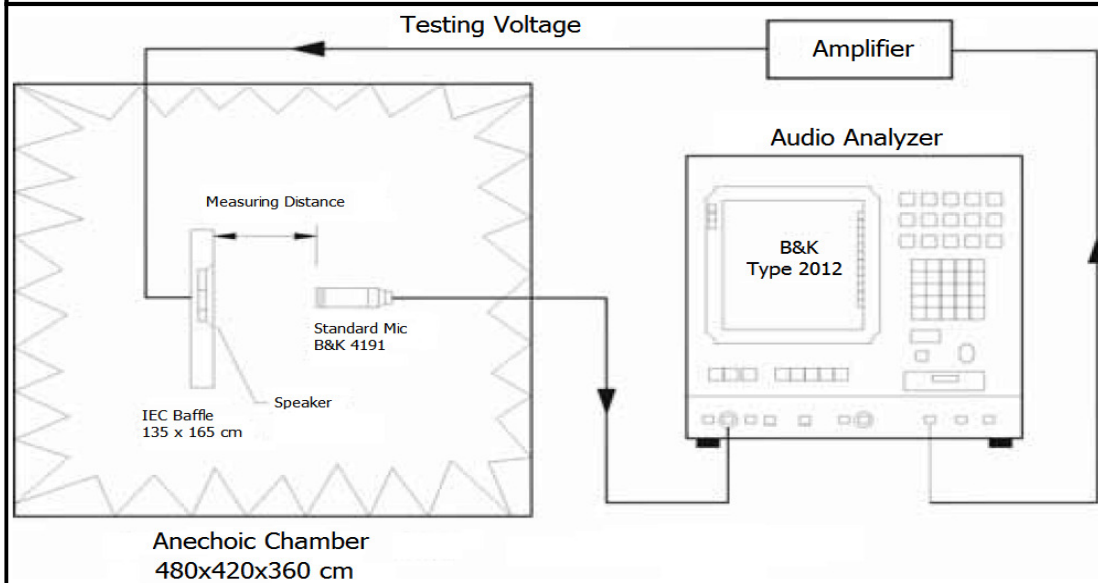
Test Description	Test Condition
High Temperature	70°C ( $\pm 2^\circ\text{C}$ ) with random humidity for 96 hours
Low Temperature	-25°C ( $\pm 2^\circ\text{C}$ ) with random humidity for 96 hours
Humidity	40°C ( $\pm 2^\circ\text{C}$ ) with 90% to 95% relative humidity for 96 hours
Vibration	0.75 mm movement modulated at 10-55 Hz for 3 hours
Drop Test	100 cm free fall onto wood board, 10 cycles
Temperature Cycle Test	-25°C to 70°C, 100 cycles

After tests, part shall rest for 2 hours. Parts are then tested for clean, pure tones.

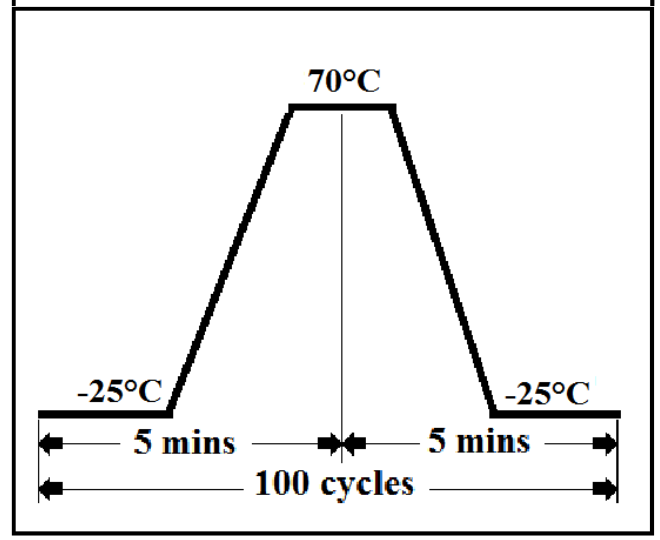
## Wave Solder Profile



## Frequency Response and SPL Measurement Setup



## Temperature Cycle Test Graph



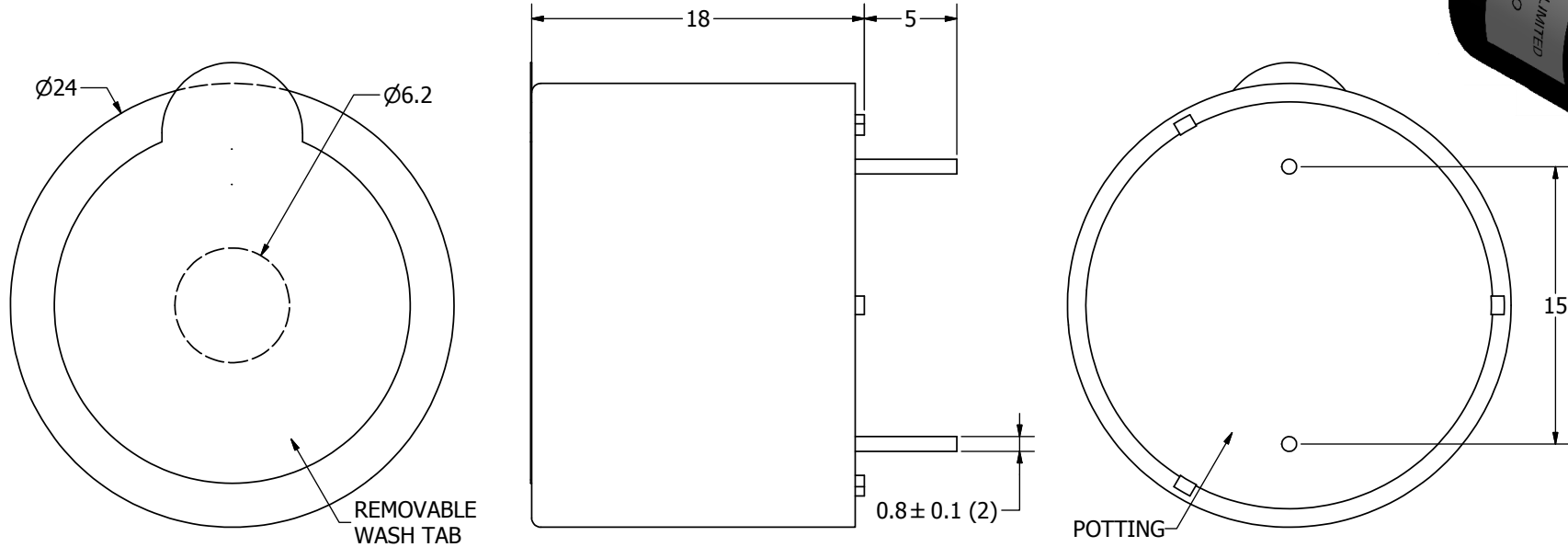
# SPECIFICATIONS

PARAMETERS	VALUES	UNITS
RATED VOLTAGE	12	Vdc
OPERATING VOLTAGE RANGE	3 ~ 16	Vdc
RATED CURRENT (MAX)	8	mA
MINIMUM SPL @ 10 CM	100	dBA
RESONANT FREQUENCY	3,700 ± 500	Hz
TONE OR PULSE RATE	CONTINUOUS	0 pulse /sec
OPERATING TEMPERATURE	-20 ~ +60	°C
STORAGE TEMPERATURE	-20 ~ +70	°C
HOUSING MATERIAL	ABS 777	-
TERMINAL MATERIAL	Sn PLATED COPPER	-
WEIGHT	6	grams

THIS DOCUMENT CONTAINS DATA PROPRIETARY TO PROJECTS UNLIMITED, INC. ANY USE OR REPRODUCTION, IN ANY FORM, WITHOUT PRIOR WRITTEN PERMISSION OF PROJECTS UNLIMITED, INC. IS PROHIBITED.  
©2003, Projects Unlimited Inc.

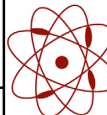
# REVISION HISTORY

LTR	DESCRIPTION	DATE	APPROVED
-	RELEASED FROM ENGINEERING	8/19/2004	
A	REMOVE LEAD FREE ADD RoHS STATEMENT	8/10/2005	B.R.
B	REVISED TERMINAL MATERIAL	3/21/2006	B.R.
C	REVISED TO INTENTOR 3-D DRAWING TEMPLATE	10/11/2007	B.R.



### NOTES:

1. ALL DIMENSIONS ARE IN MILLIMETERS.
2. SPECIFICATIONS SUBJECT TO CHANGE OR WITHDRAWAL WITHOUT NOTICE.
3. THIS PART IS RoHS 2002/95/EC COMPLIANT.

UNLESS OTHERWISE SPECIFIED: DIMENSIONS ARE IN MILLIMETERS, TOLERANCES ARE ±0.5 AND ANGLES ARE ±3°.	SIZE	Designed by	Date	Checked by	Date	Approved by	Date	Drawn Date
	A3	R.A.C.	8/19/2004			R.W.	8/19/2004	10/11/2007
AI-2437-TWT-R.idw	 <b>pui audio</b> a projects unlimited company		<b>AI-2437-TWT-R</b> Indicator			Edition	Sheet	
						-	1 / 1	

# Mouser Electronics

Authorized Distributor

Click to View Pricing, Inventory, Delivery & Lifecycle Information:

[PUI Audio:](#)

[AI-2437-TWT-R](#)