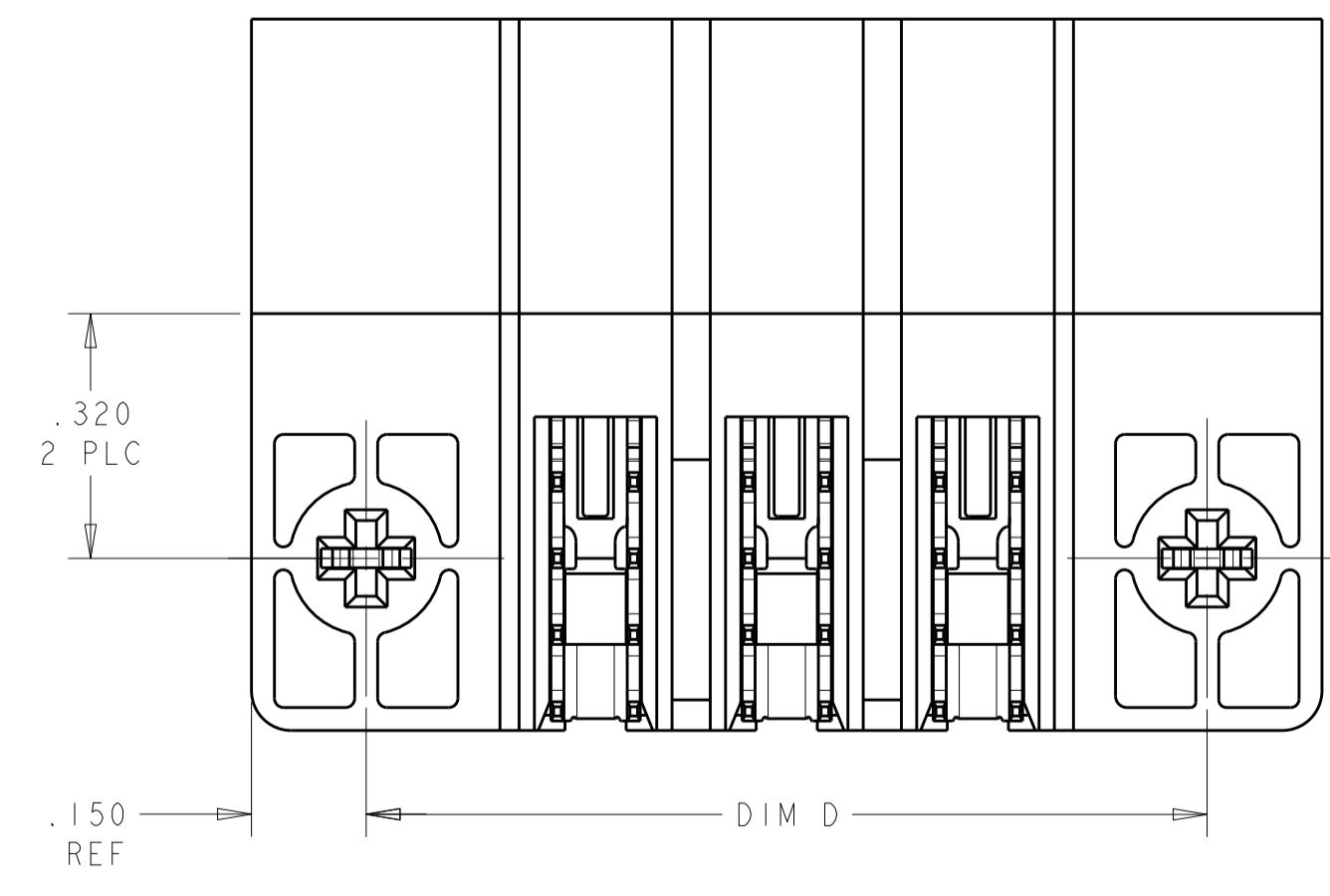
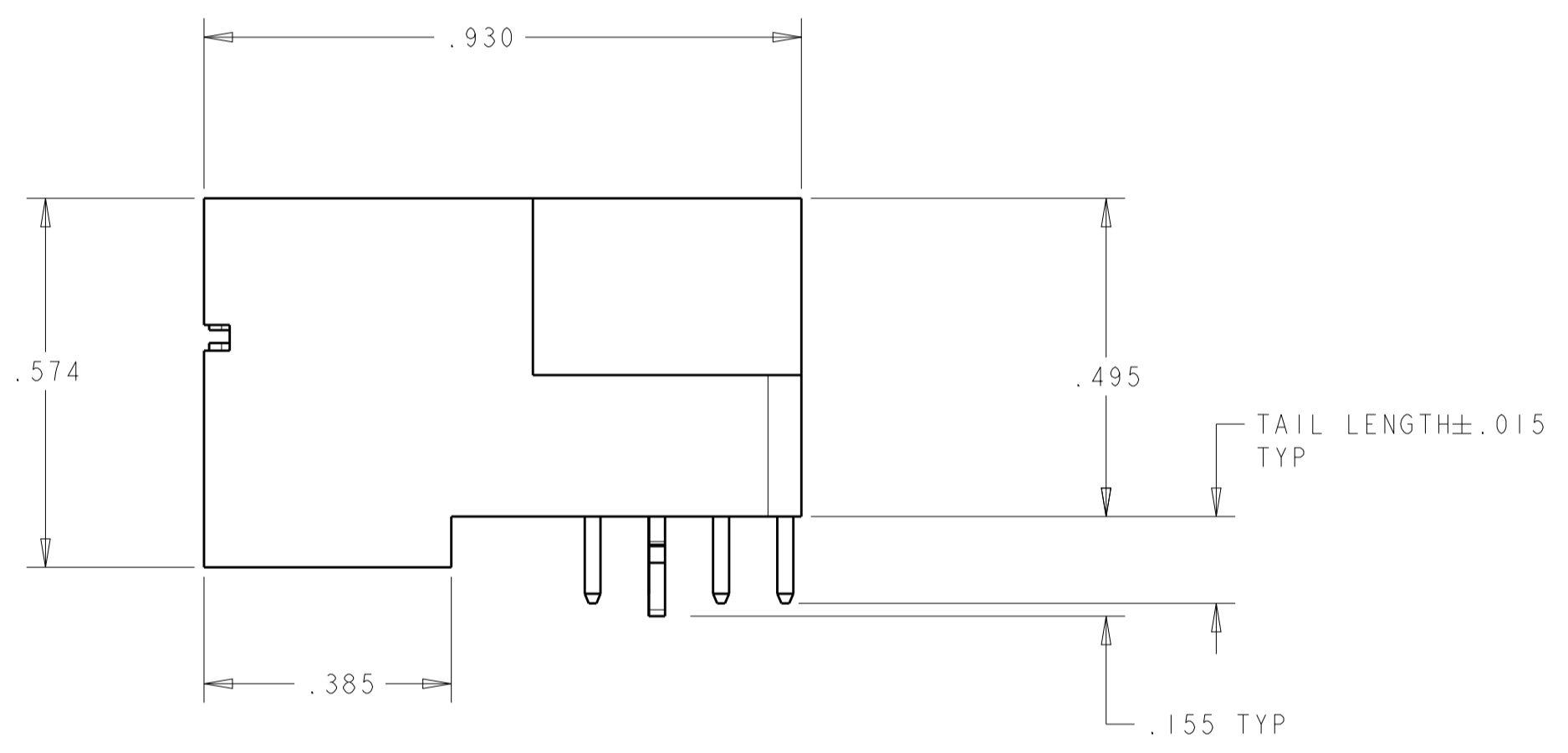
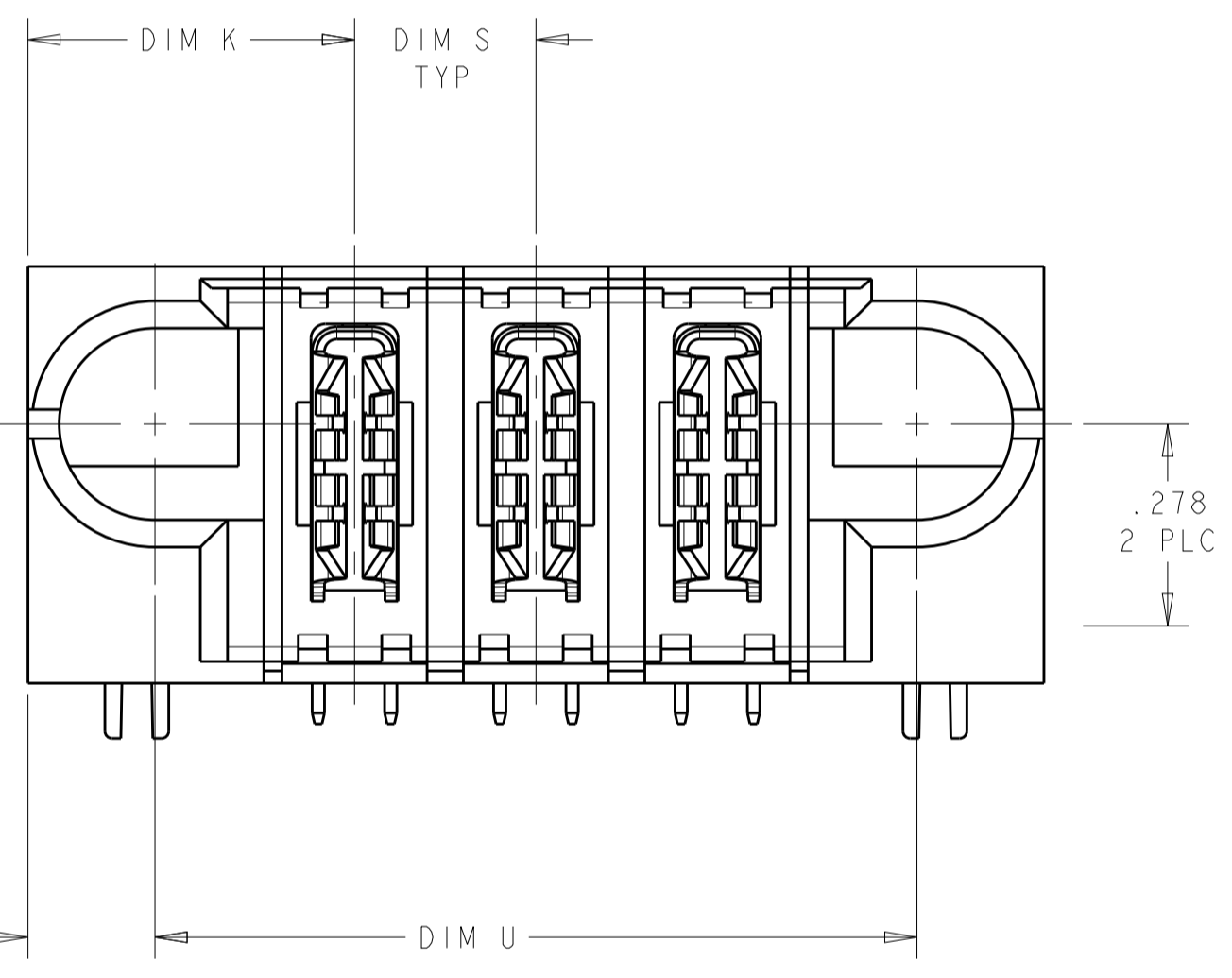
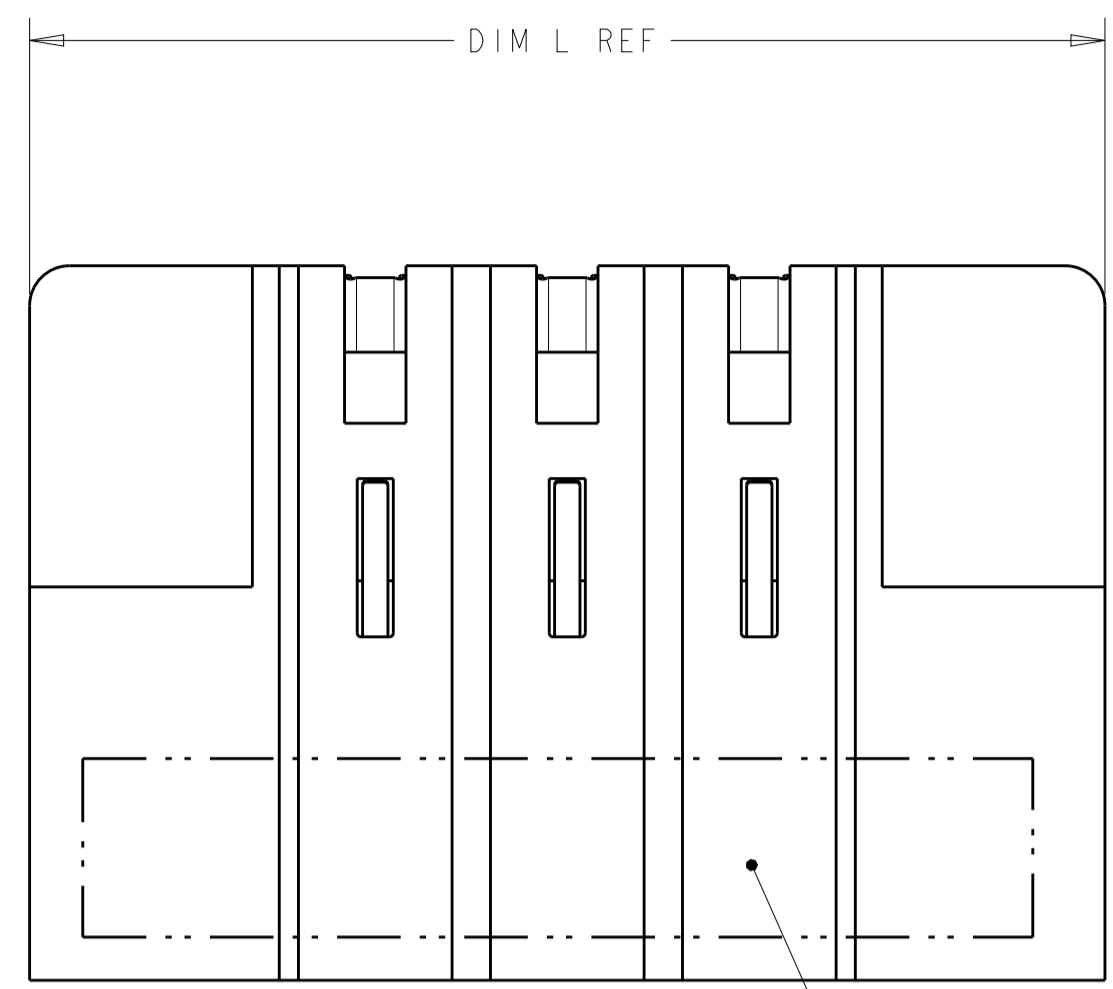


LOC		DIST		REVISIONS			
GP	00	REV	DATE	BY	CHK	APPV	
		C1	REV PER ECR-11-022334	03NOV2011	CZ	SZ	
		C3	REVISED 1-8	16JAN2014	CZ	SZ	
		C5	ADDING NOTE FOR 1-8	10SEP2015	CZ	SZ	
		C6	REVISED 1-0 BY CUSTOMER	05MAY2016	CZ	SZ	



- 1 "AMP", PART NUMBER, AND DATE CODE TO BE MARKED IN AREA SHOWN.
- 2 MATERIAL: HOUSING - GLASS FILLED HIGH TEMP THERMO PLASTIC, UL94 V-0
POWER CONTACT - HIGH CONDUCTIVITY COPPER ALLOY
- 3 CONTACT PLATING: NOBLE METAL PLATING ON CONTACT FUNCTIONAL AREA OF POWER AND SIGNAL CONTACTS
- 4 MECHANICAL CONNECTOR KEEP OUT ZONE.
- 5 DATUM AND BASIC DIMENSIONS ESTABLISHED BY CUSTOMER.
- 6 PCB- ALL HOLE DIAMETERS ARE FINISHED HOLE SIZES.
- 7 PCB - .0453±.0010 DRILLED HOLES WITH .0003 MIN Sn OVER .001 TO .003 Cu PLATING TO ACHIEVE A .040±.003 DIA HOLE.
- 8 VARIABLE DIMENSIONS SHOWN ON VIEW (SHEET 3)
- 9 FOR DETAIL DIMENSION PLEASE REFER TO TABLE

3.750	.200	3.800	.450	4.100	17P	1-6450123-8
1.150	.300	1.200	.450	1.500	3ACP	1-6450123-6
1.725	.375	1.775	.475	2.075	4P	1-6450123-5
2.700	.300	2.750	.475	3.050	8ACP	1-6450123-4
1.300	.200	1.350	.425	1.650	5HDP	1-6450123-2
5.550	.200	5.600	.450	5.900	26P	1-6450123-1
1.750	.200	1.800	.450	2.100	7HDP	1-6450123-0
2.300	.250	2.350	.450	2.650	8P	6450123-8
1.700	8	1.750	.425	2.050	6P	6450123-7
1.550	.250	1.600	.450	1.900	5P	6450123-6
2.050	.250	2.100	.450	2.400	7P	6450123-5
.800	.250	.850	.450	1.150	2P	6450123-4
1.200	.300	1.250	.475	1.550	3ACP	6450123-3
1.300	.250	1.350	.450	1.650	4P	6450123-2
1.050	.250	1.100	.450	1.400	3P	6450123-1
DIM U	DIM S	DIM D	DIM K	DIM L	DESCRIPTION	PART NUMBER

THIS DRAWING IS A CONTROLLED DOCUMENT. DWN: R. GRZYBOWSKI TOFEB05
 CHK: M. PERCHERKE TOFEB05
 APVD: M. PERCHERKE

STE TE Connectivity

RIGHT ANGLE HEADER ASSEMBLY W/GUIDES MULTI-BEAM XL

PRODUCT SPEC: 108-1973
 APPLICATION SPEC: 114-13038

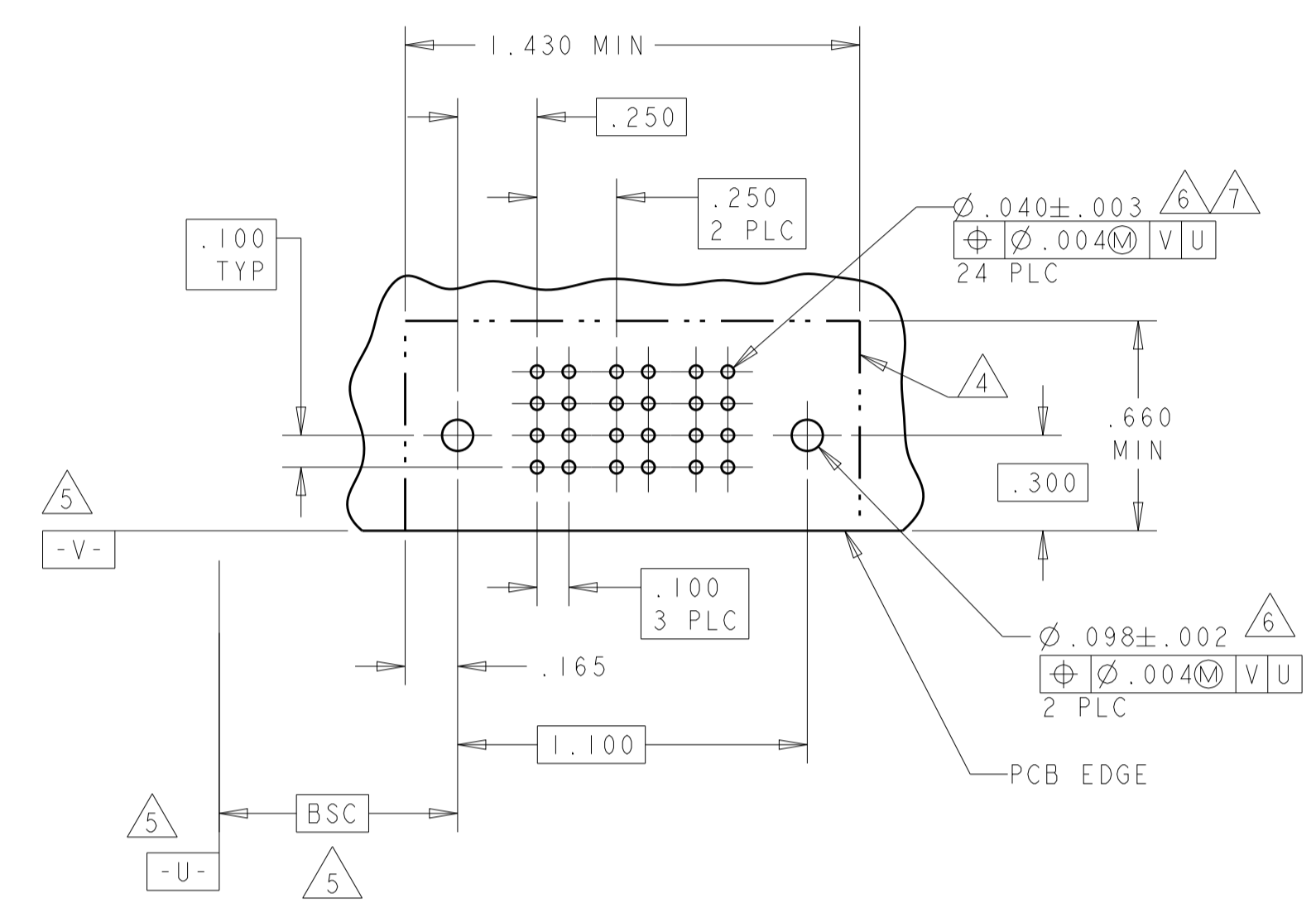
SIZE: A100779 CAGE CODE: 6450123
 SCALE: 4:1 SHEET 1 OF 8 REV: C6

MATERIAL: FINISH:

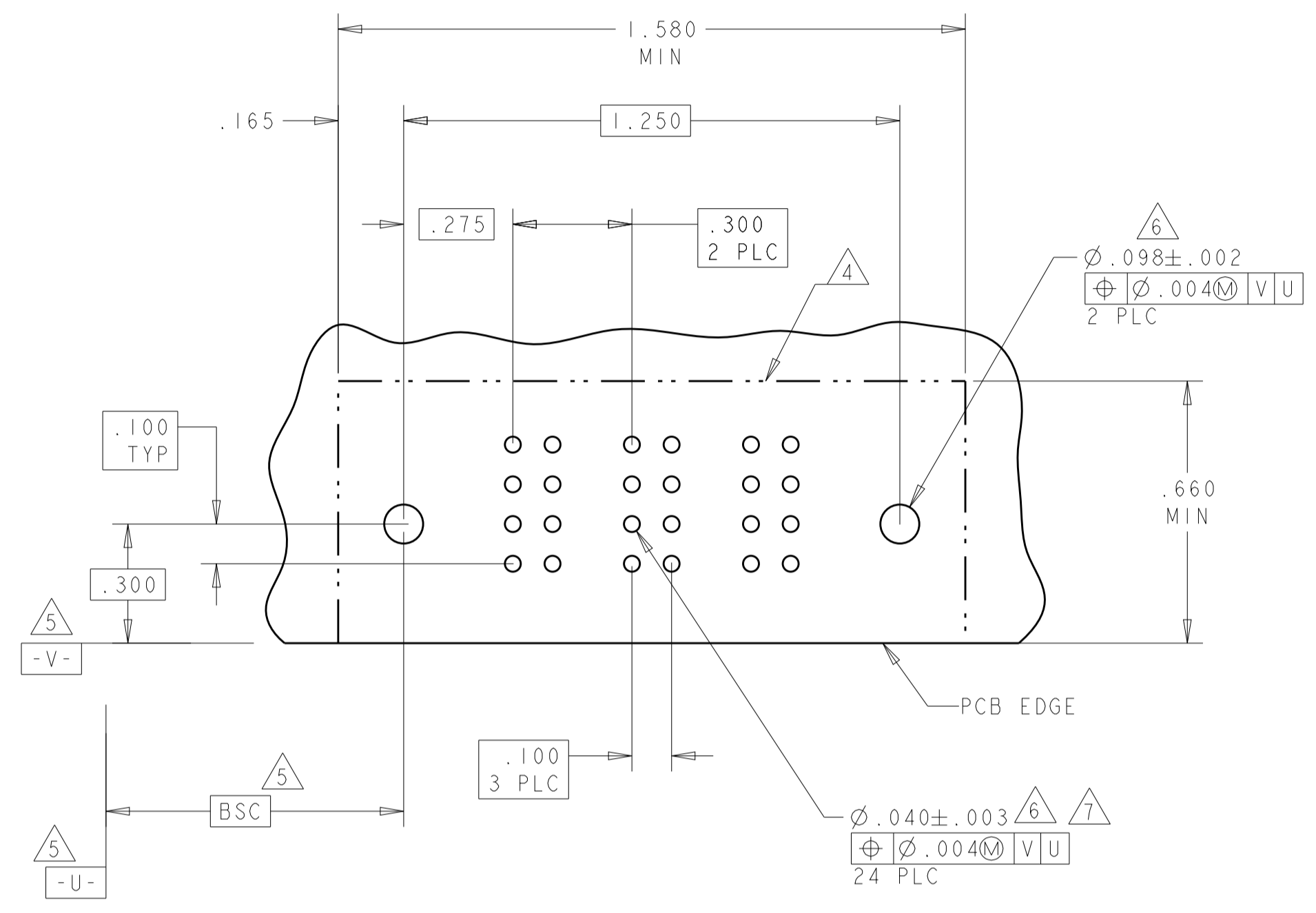
TOLERANCES UNLESS OTHERWISE SPECIFIED:
 0 PLC ±.01
 1 PLC ±.01
 2 PLC ±.005
 3 PLC ±.005
 4 PLC ±.002
 ANGLES ±.2°

CUSTOMER DRAWING

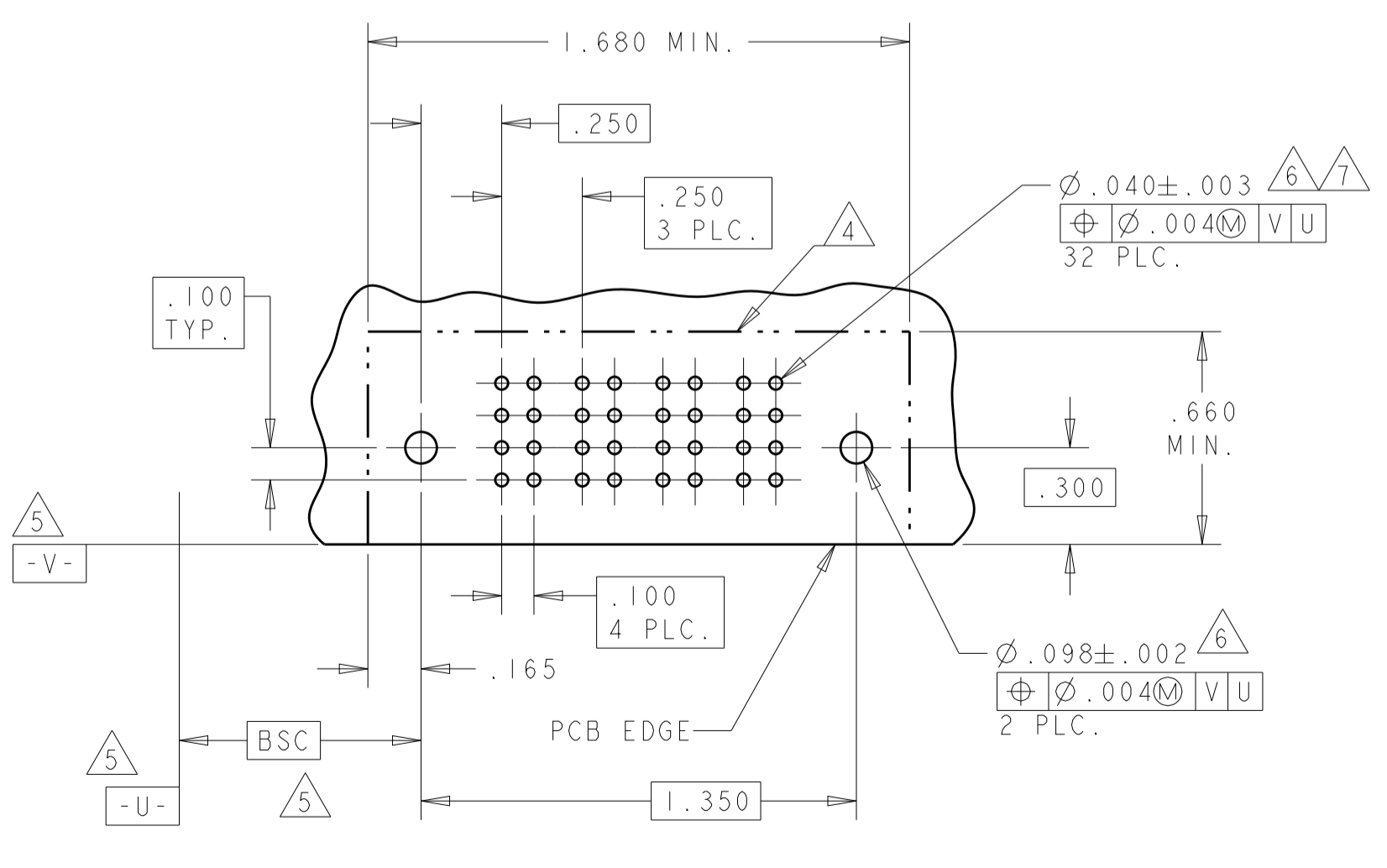
PART NUMBER	ROWS	POWER		
		P1	P2	P3
6450123-1	D C B A	PM	PM	PM
3P		HD		HD



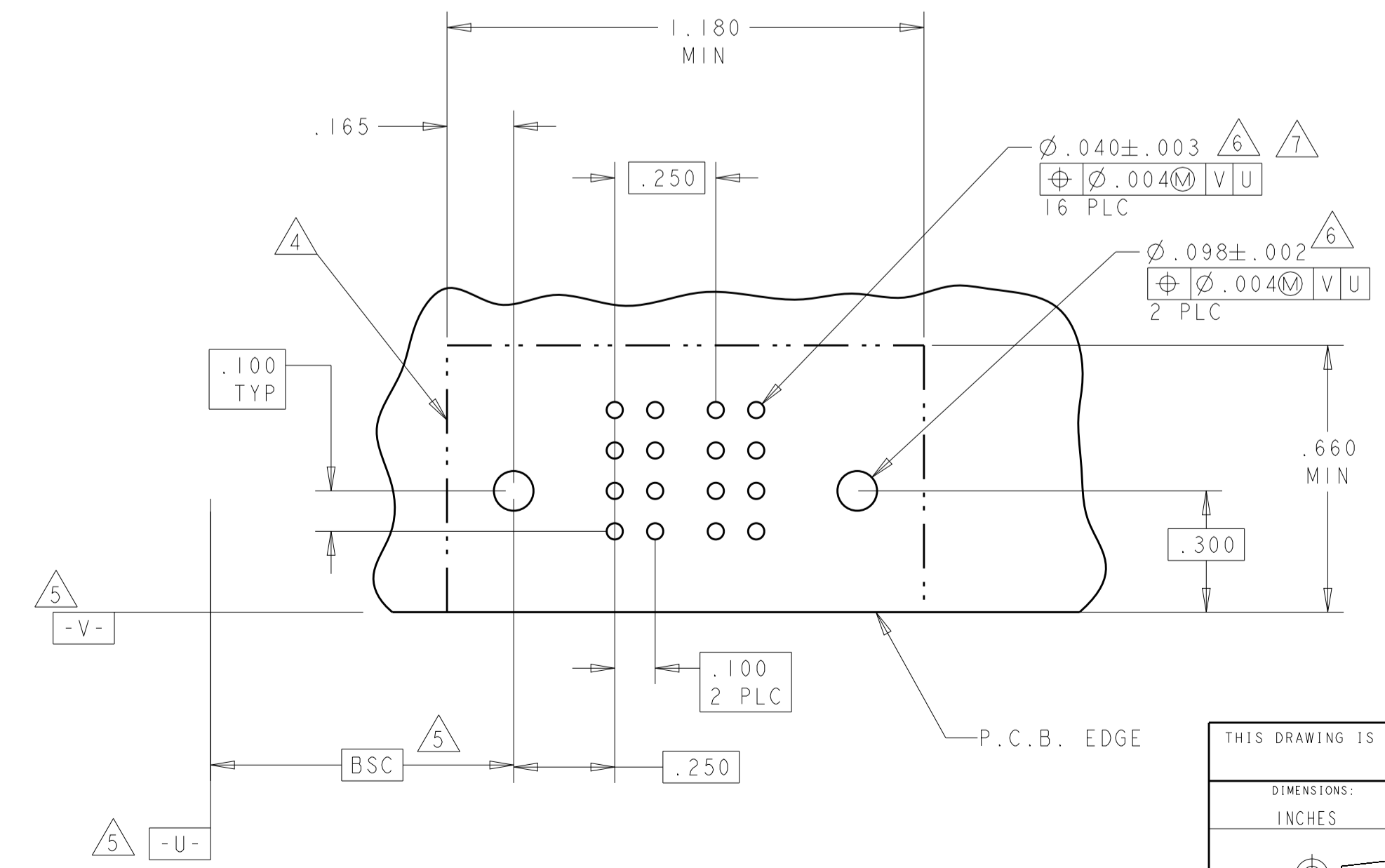
PART NUMBER	ROWS	POWER		
		P1	P2	P3
6450123-3	D C B A	PM	PM	PM
3ACP		HD		HD



PART NUMBER	ROWS	POWER			
		P1	P2	P3	P4
6450123-2	D C B A	PM	PM	PM	PM
4P		HD			HD



PART NUMBER	ROWS	POWER	
		P1	P2
6450123-4	D C B A	PM	PM
2P		HD	HD



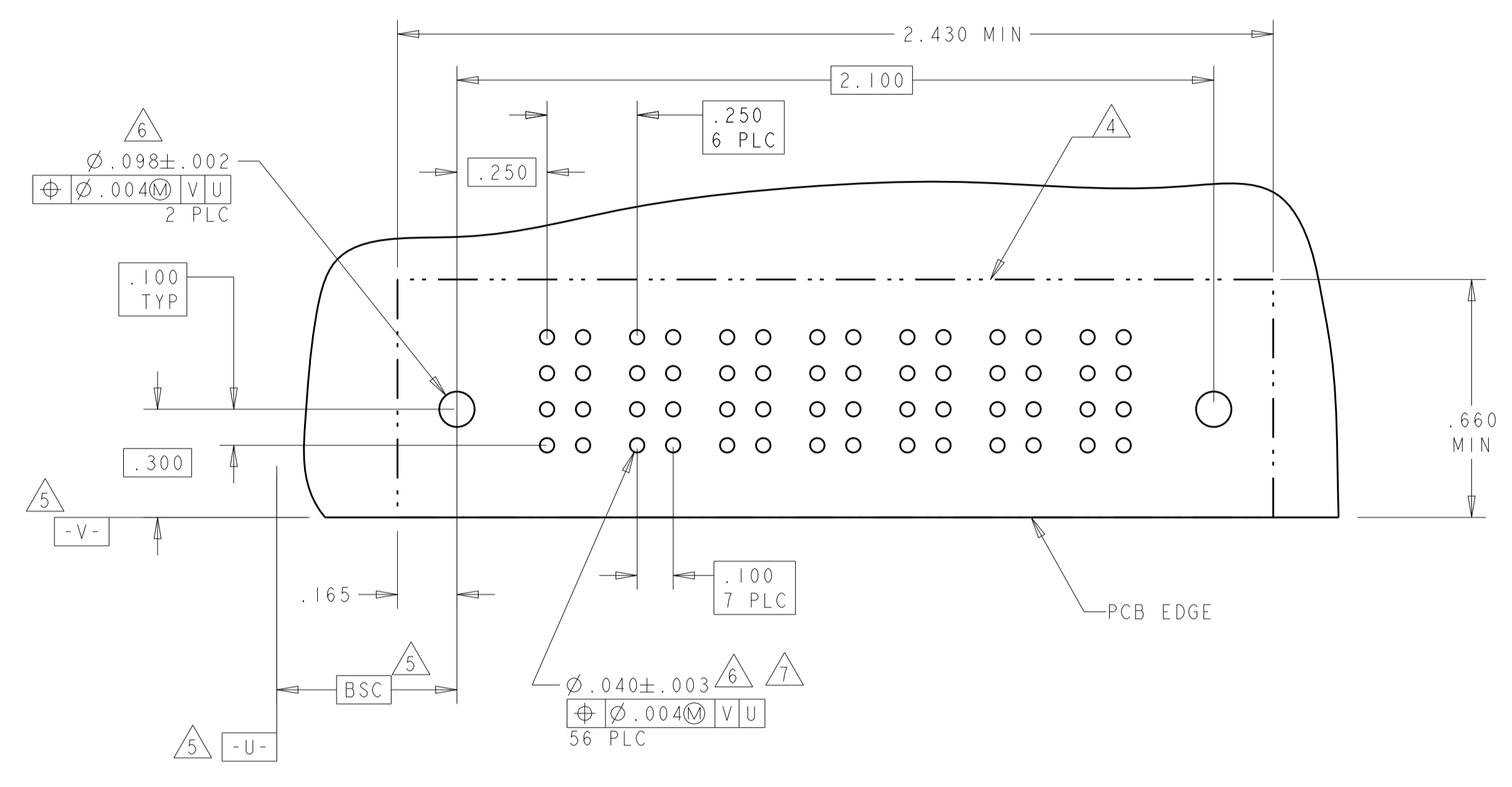
PA	.090
PM	.135
CODE	TAIL LENGTH
POWER CONTACT	

THIS DRAWING IS A CONTROLLED DOCUMENT.

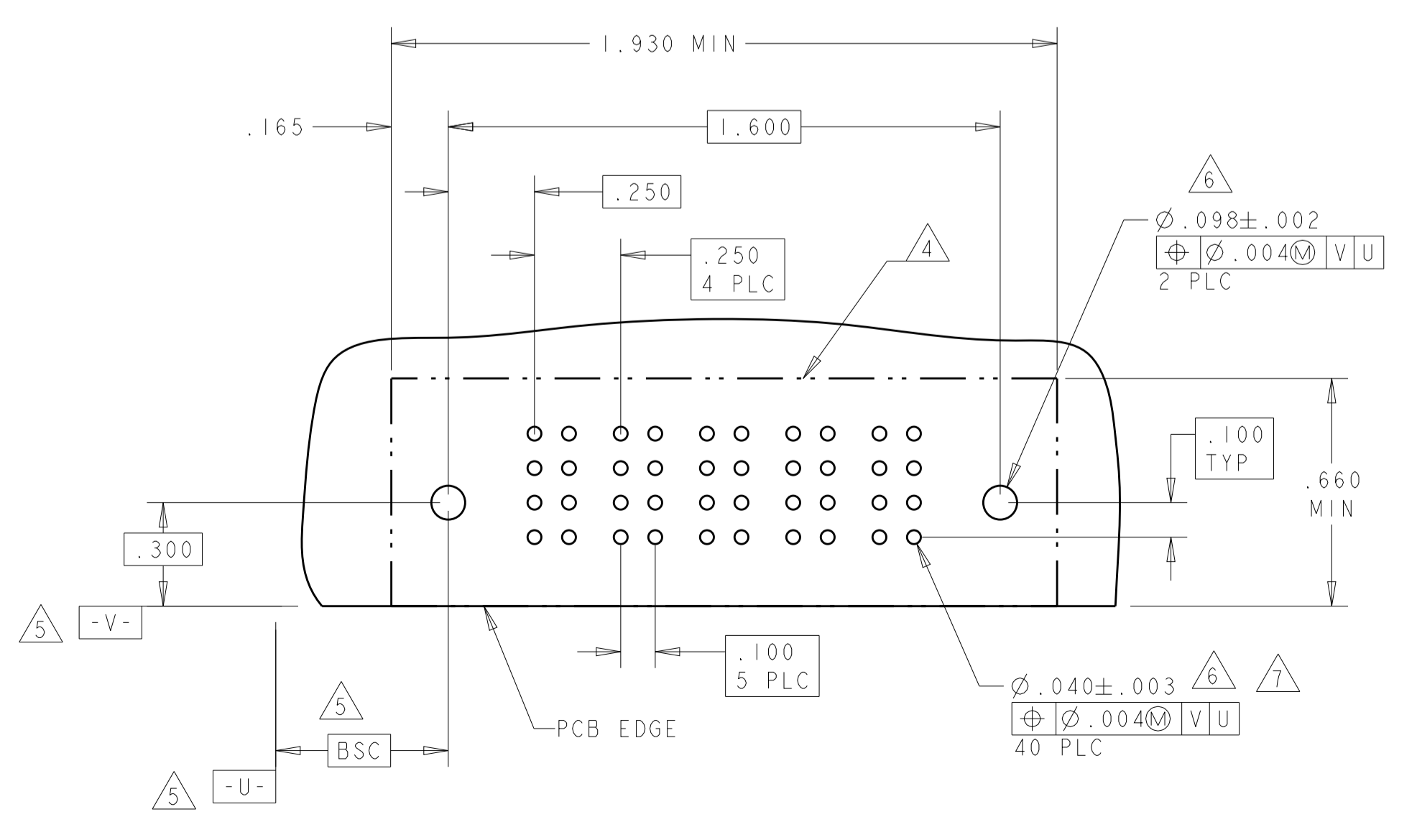
DIMENSIONS:	TOLERANCES UNLESS OTHERWISE SPECIFIED:	DWN: R. GRZYBOWSKI	TOFEB05
INCHES	0 PLC ±.01	CHK: M. PERCHERKE	TOFEB05
	1 PLC ±.01	APVD: M. PERCHERKE	
	2 PLC ±.01	PRODUCT SPEC	RIGHT ANGLE HEADER ASSEMBLY W/GUIDES MULTI-BEAM XL
	3 PLC ±.005	APPLICATION SPEC	
	4 PLC ±.002	SIZE	114-13038
	ANGLES ±.020	WEIGHT	A100779C=6450123
MATERIAL	FINISH	CUSTOMER DRAWING	SCALE 4:1 SHEET 2 OF 8 REV C6

LOC	DIST	REVISIONS					
GP	00	P	LTN	DESCRIPTION	DATE	OWN	APVD
		-		SEE SHEET 1			

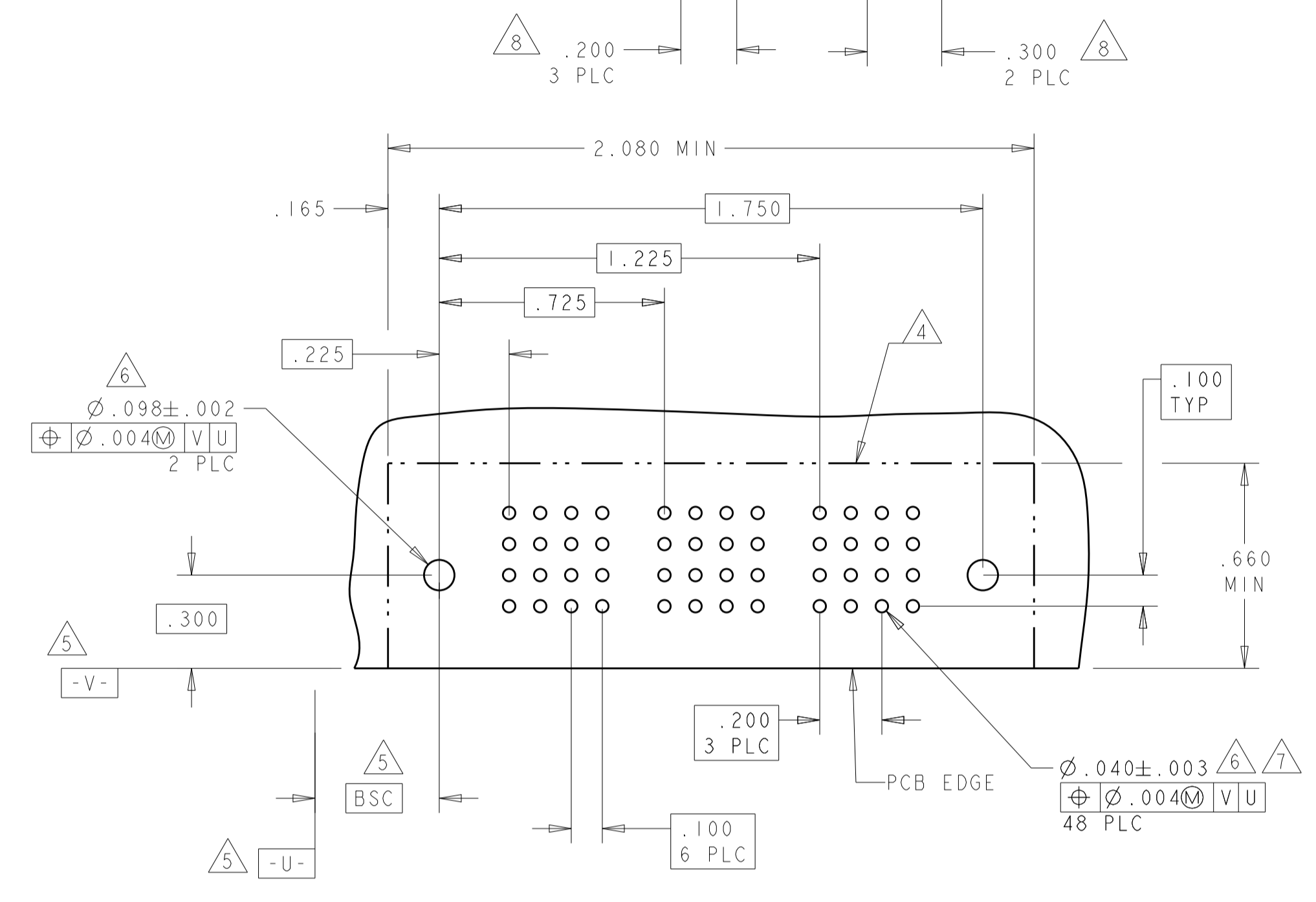
PART NUMBER	ROWS	POWER						
		P1	P2	P3	P4	P5	P6	P7
6450123-5	D C B A	PA	PA	PA	PA	PA	PA	PA
7P								



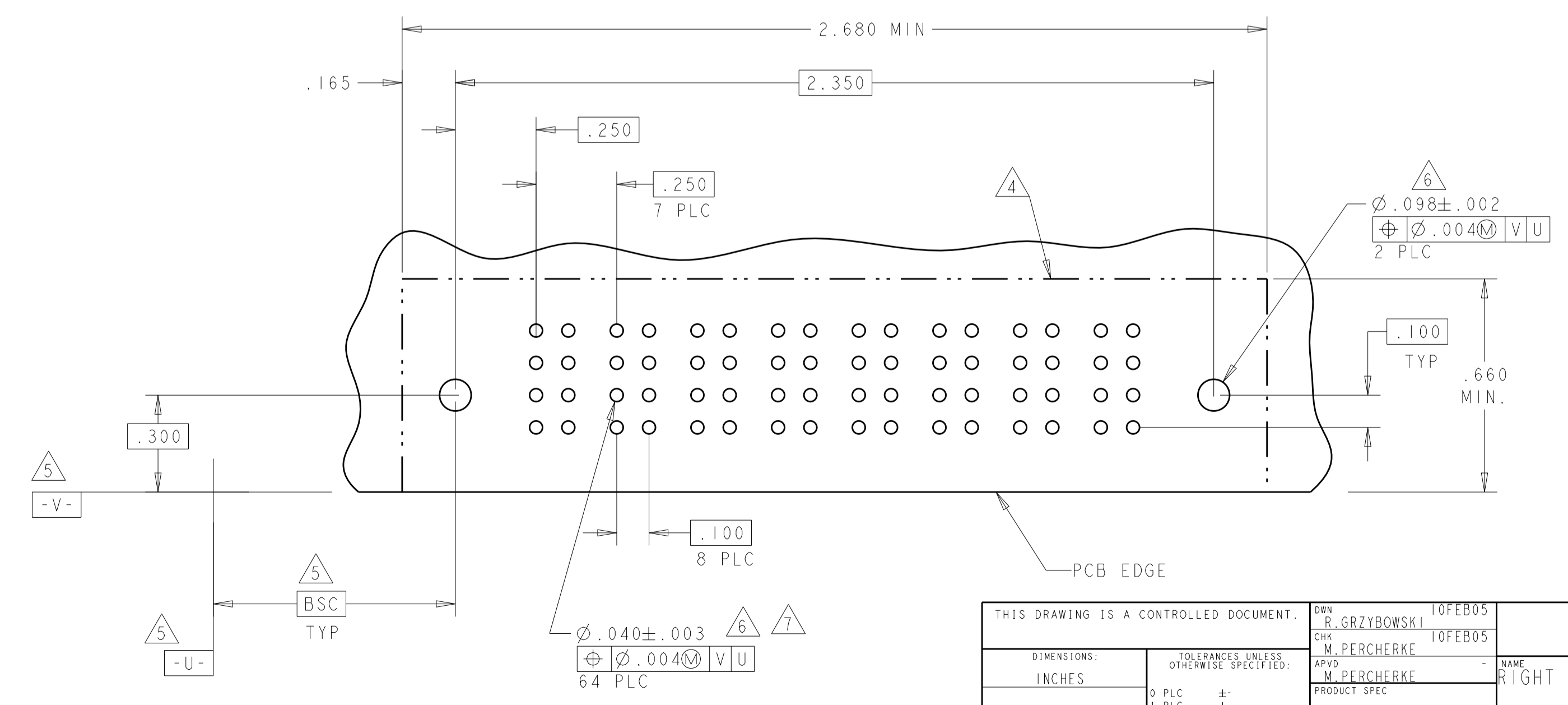
PART NUMBER	ROWS	POWER				
		P1	P2	P3	P4	P5
6450123-6	D C B A	PM	PM	PM	PM	PM
5P						



PART NUMBER	ROWS	POWER					
		P1	P2	P3	P4	P5	P6
6450123-7	D C B A	PM	PM	PM	PM	PM	PM
6P							



PART NUMBER	ROWS	POWER							
		P1	P2	P3	P4	P5	P6	P7	P8
6450123-8	D C B A	PM	PM	PM	PM	PM	PM	PM	PM
8P									

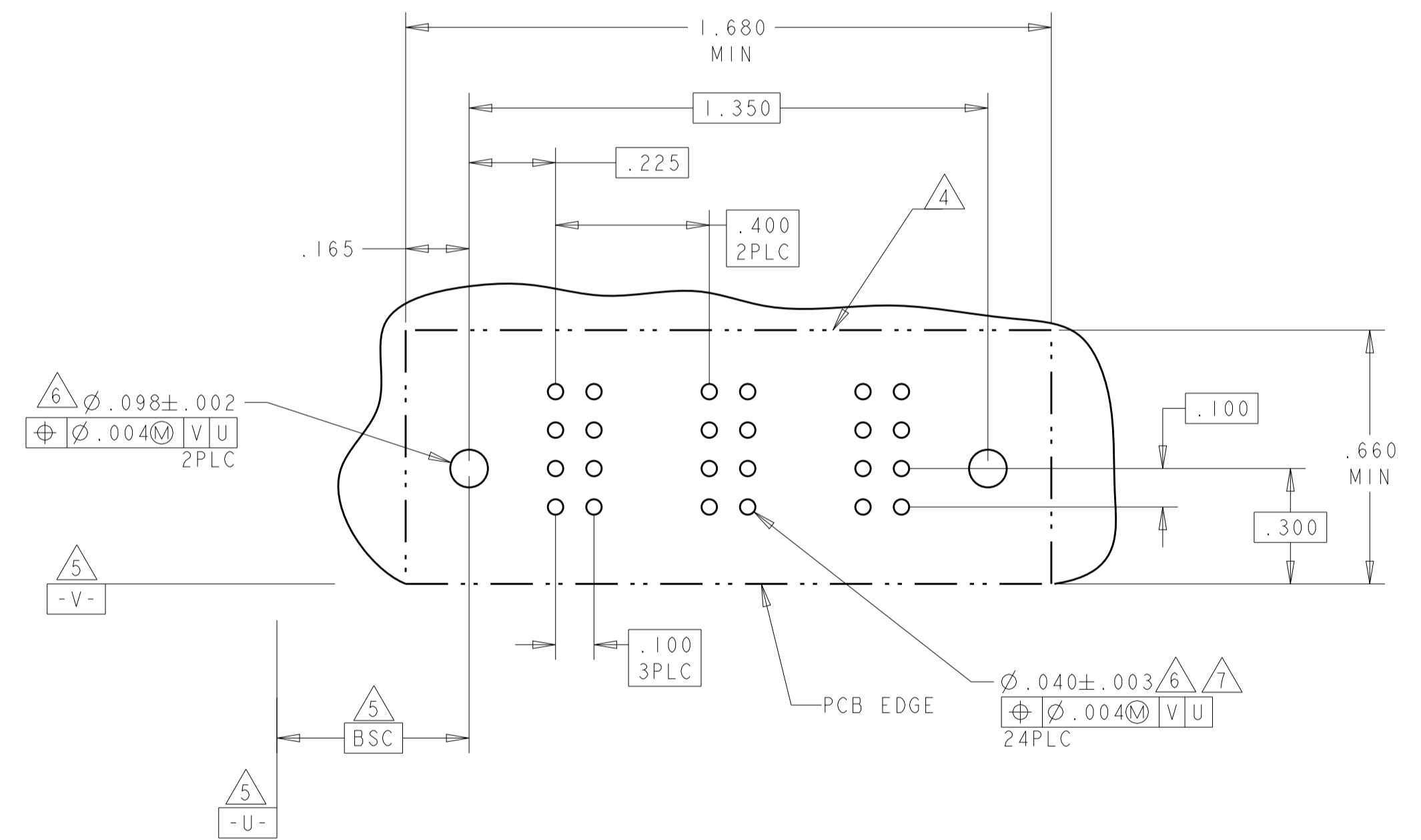
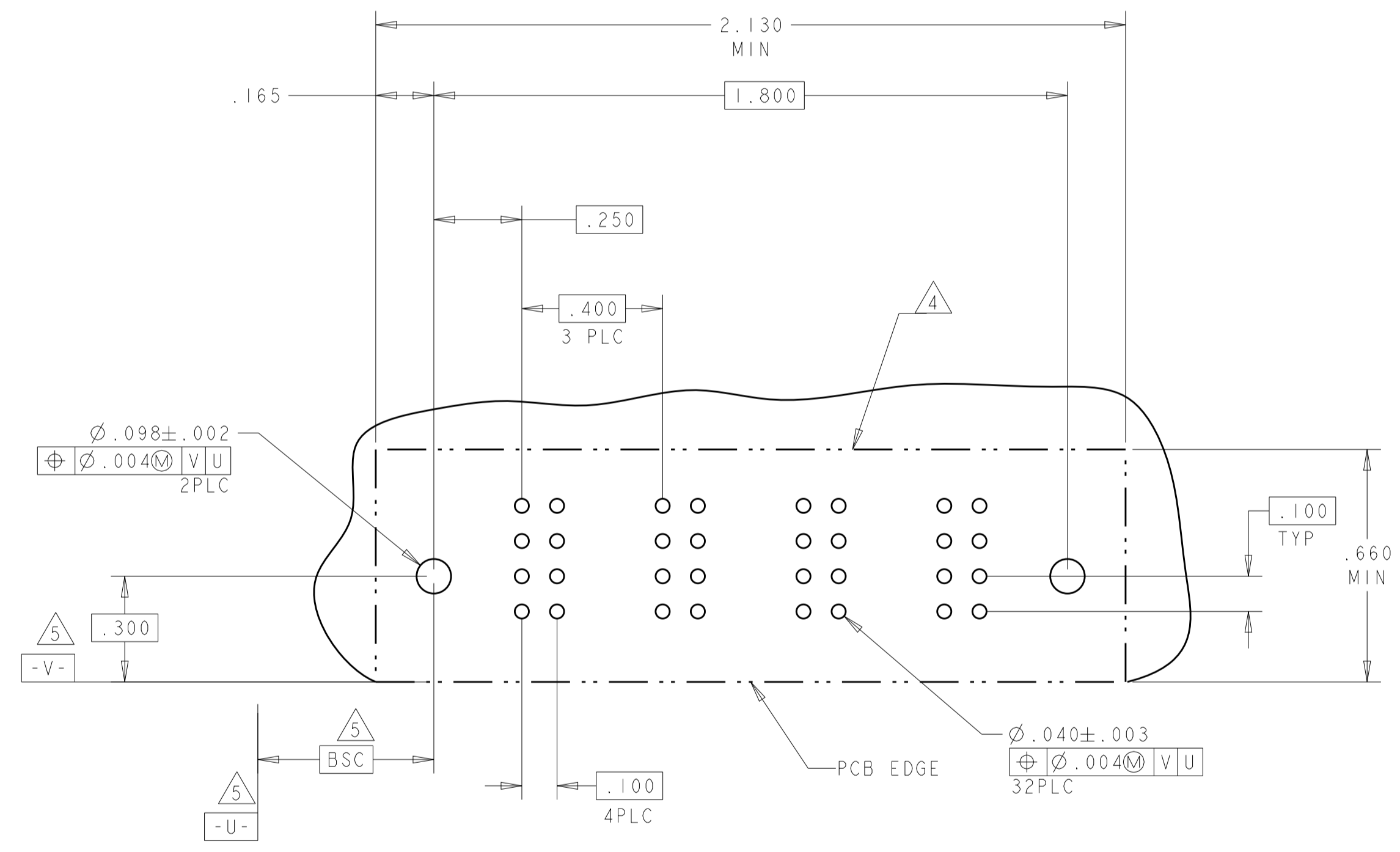
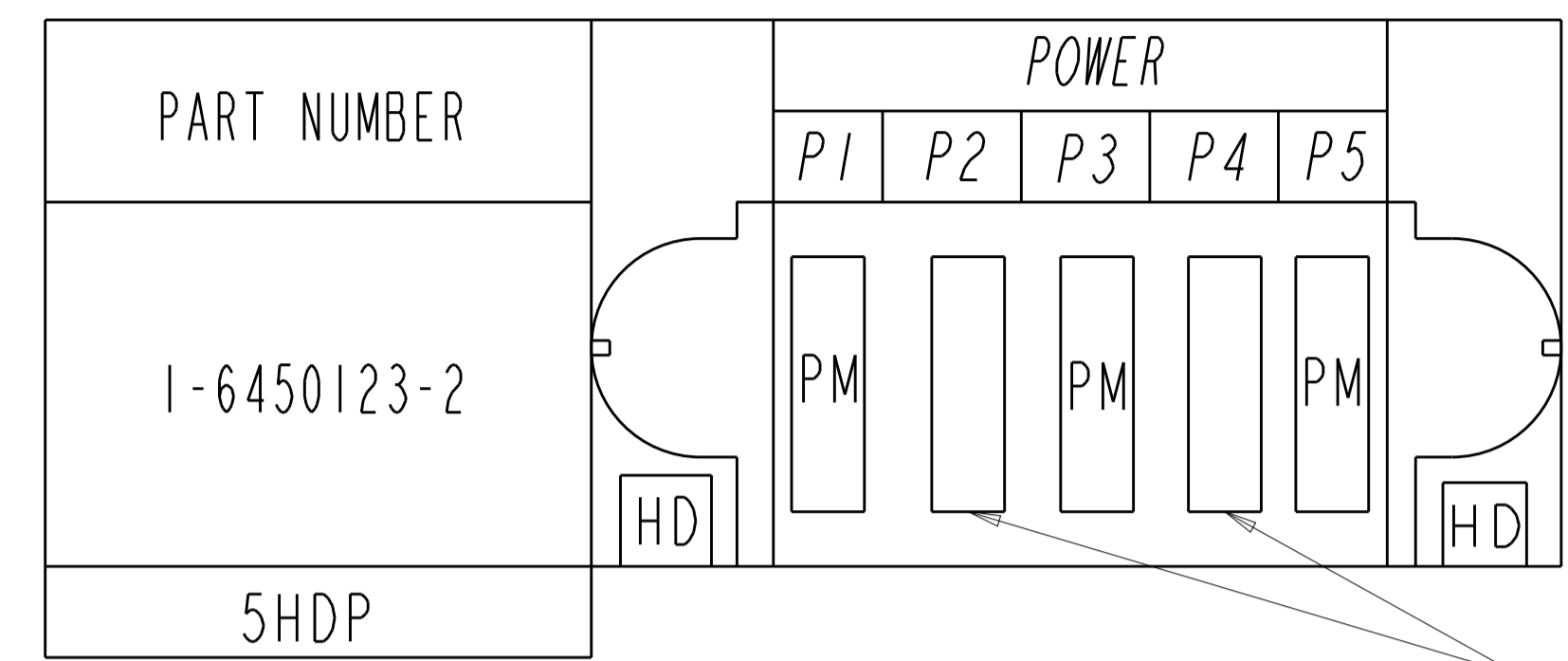
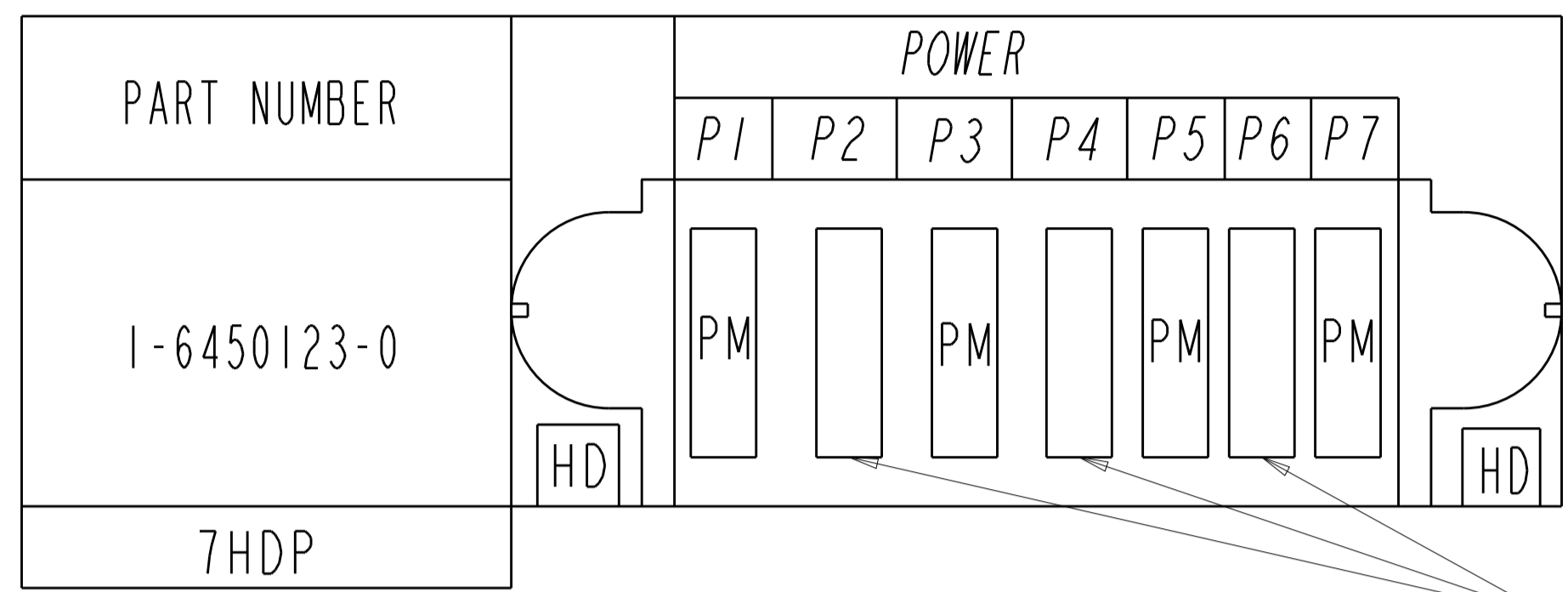


THIS DRAWING IS A CONTROLLED DOCUMENT.

DIMENSIONS:	TOLERANCES UNLESS OTHERWISE SPECIFIED:	OWN: R. GRZYBOWSKI	10FEB05
INCHES	0 PLC ± .01	CHK: M. PERCHERKE	10FEB05
	1 PLC ± .01	APVD: M. PERCHERKE	
	2 PLC ± .01	NAME: RIGHT ANGLE HEADER ASSEMBLY W/GUIDES	
	3 PLC ± .005	PRODUCT SPEC: 108-1973	
	4 PLC ± .002	APPLICATION SPEC: 114-13038	
	ANGLES ± .0020	WEIGHT: A100779	
MATERIAL:	FINISH:	SCALE: 4:1	SHEET 3 OF 8

STE TE Connectivity
 CUSTOMER DRAWING
 DATE: 108-1973
 DRAWING NO: 6450123
 REV: C6

LOC	DIST	REVISIONS					
GP	00	P	LTN	DESCRIPTION	DATE	DMN	APVD
		-		SEE SHEET 1			

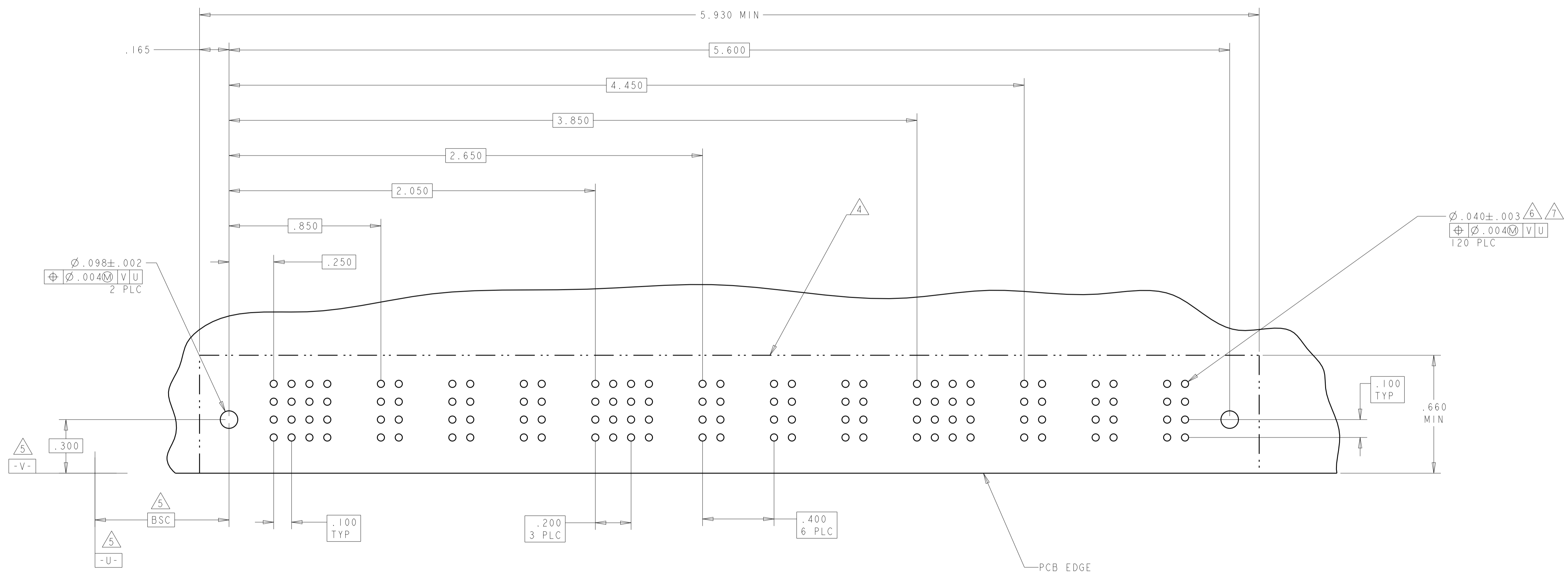


THIS DRAWING IS A CONTROLLED DOCUMENT.		DMN: R. GRZYBOWSKI	TOFEB05	TE Connectivity
DIMENSIONS: INCHES		CHK: M. PERCHERKE	TOFEB05	
DIMENSIONS: INCHES 0 PLC ± 1 PLC ±.01 2 PLC ±.01 3 PLC ±.005 4 PLC ±.0020 ANGLES ±.2°		TOLERANCES UNLESS OTHERWISE SPECIFIED: APVD: M. PERCHERKE PRODUCT SPEC: 108-1973 APPLICATION SPEC: 114-13038 WEIGHT: -		NAME: RIGHT ANGLE HEADER ASSEMBLY W/GUIDES MULTI-BEAM XL SIZE: A1 CAGE CODE: 100779 DRAWING NO: 6450123
MATERIAL: -		CUSTOMER DRAWING		RESTRICTED TO: - SCALE: 4:1 SHEET: 4 OF 8 REV: C6

LOC	DIST	REVISIONS			
P	LTN	DESCRIPTION	DATE	DMN	APVD
-	-	SEE SHEET 1	-	-	-

PART NUMBER	ROWS	POWER																									
		P1	P2	P3	P4	P5	P6	P7	P8	P9	P10	P11	P12	P13	P14	P15	P16	P17	P18	P19	P20	P21	P22	P23	P24	P25	P26
1-6450123-1	D C B A	PM	PM	PM	PM	PM	PM	PM	PM	PM	PM	PM	PM	PM	PM	PM	PM	PM	PM	PM	PM	PM	PM	PM	PM	PM	PM
26P																											

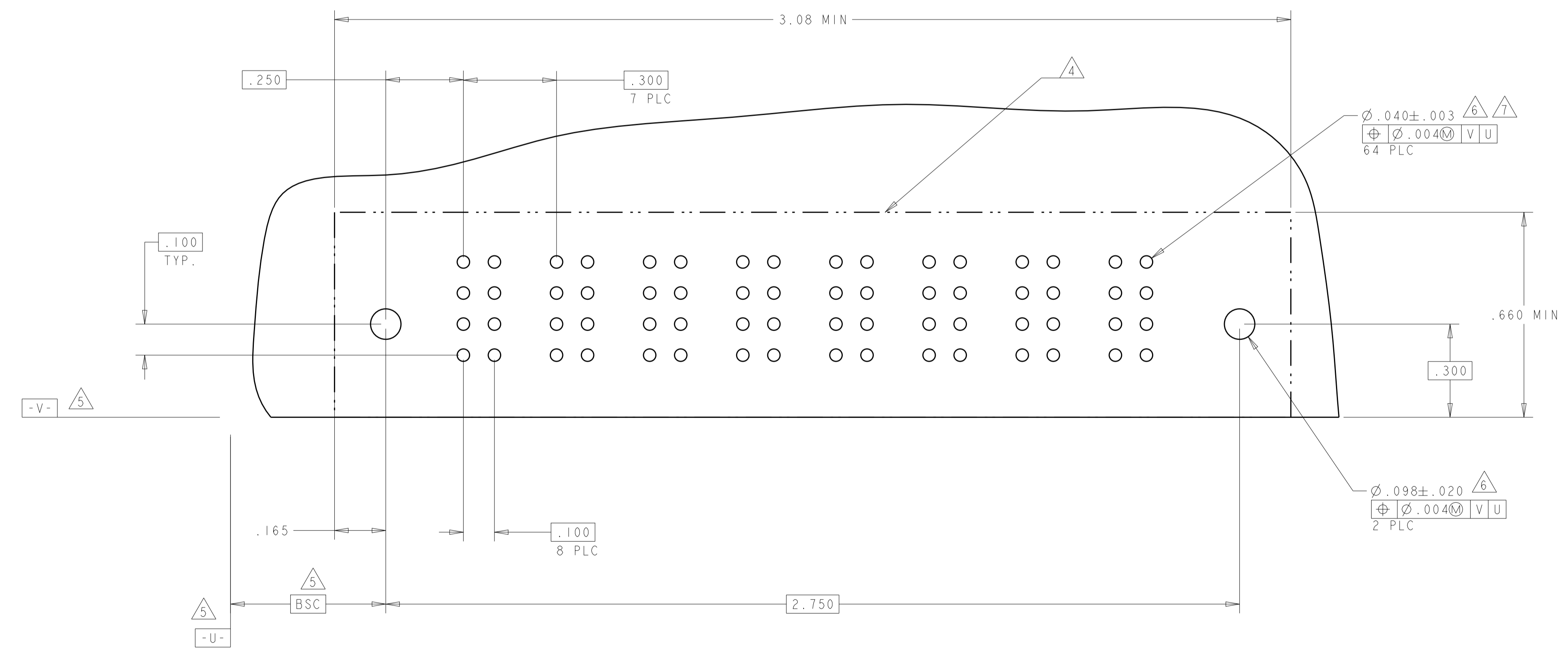
NO CONTACTS LOADED



THIS DRAWING IS A CONTROLLED DOCUMENT.		DMN R. GRZYBOWSKI	10FEB05	TE Connectivity
DIMENSIONS: INCHES		CHK M. PERCHERKE	10FEB05	
TOLERANCES UNLESS OTHERWISE SPECIFIED: 0 PLC ±. 1 PLC ±.01 2 PLC ±.01 3 PLC ±.005 4 PLC ±.0020 ANGLES ±.2° FINISH		APVD M. PERCHERKE	NAME RIGHT ANGLE HEADER ASSEMBLY W/GUIDES MULTI-BEAM XL	
MATERIAL		PRODUCT SPEC 108-1973	APPLICATION SPEC 114-13038	RESTRICTED TO
CUSTOMER DRAWING		SCALE 4:1	SHEET 5 OF 8	REV C6

LOC	DIST	REVISIONS			
P	LTN	DESCRIPTION	DATE	DMN	APVD
-	-	SEE SHEET 1	-	-	-

PART NUMBER	ROWS	POWER							
		P1	P2	P3	P4	P5	P6	P7	P8
1-6450123-4	D C B A	PM	PM	PM	PM	PM	PM	PM	PM
8P		HD							HD

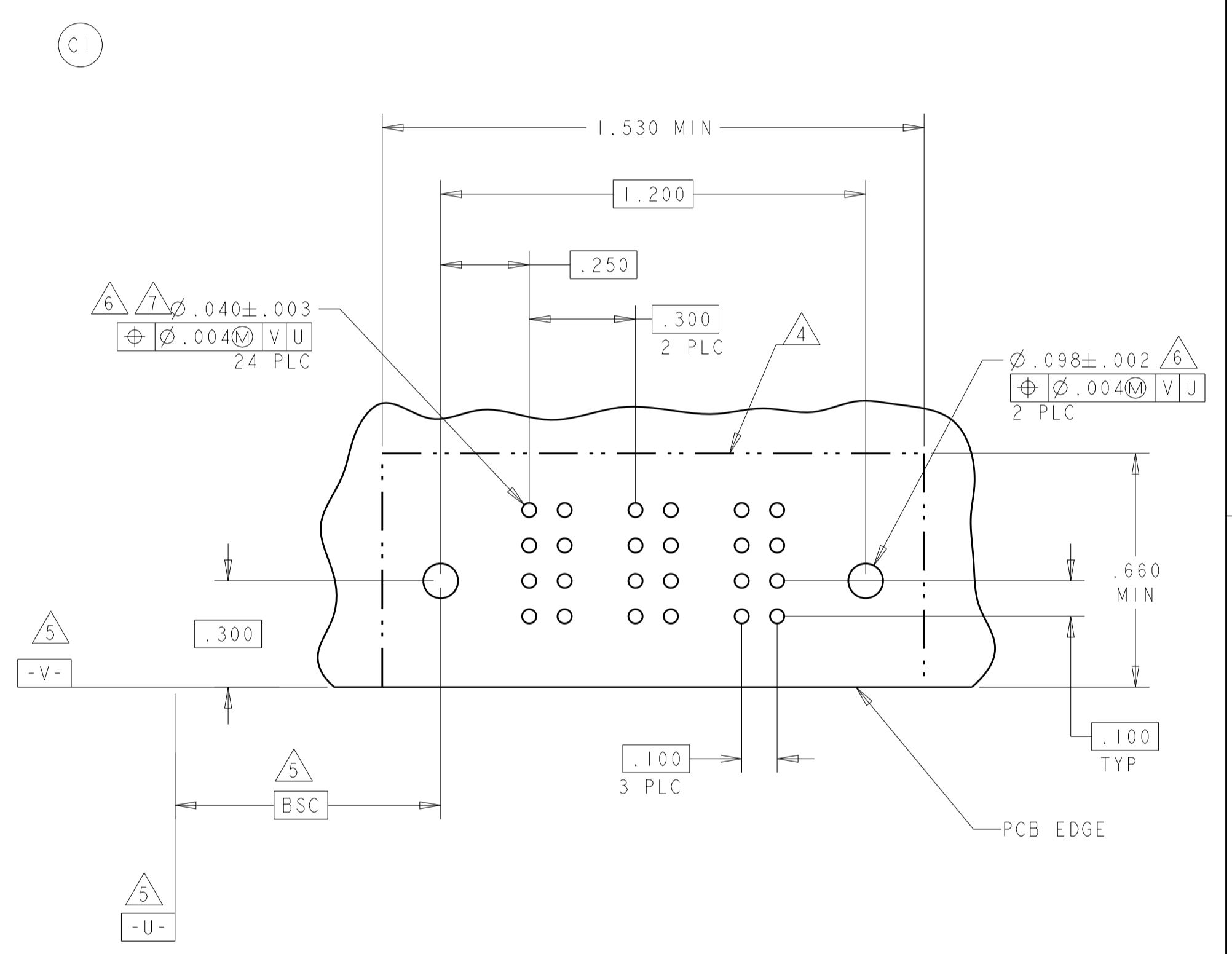
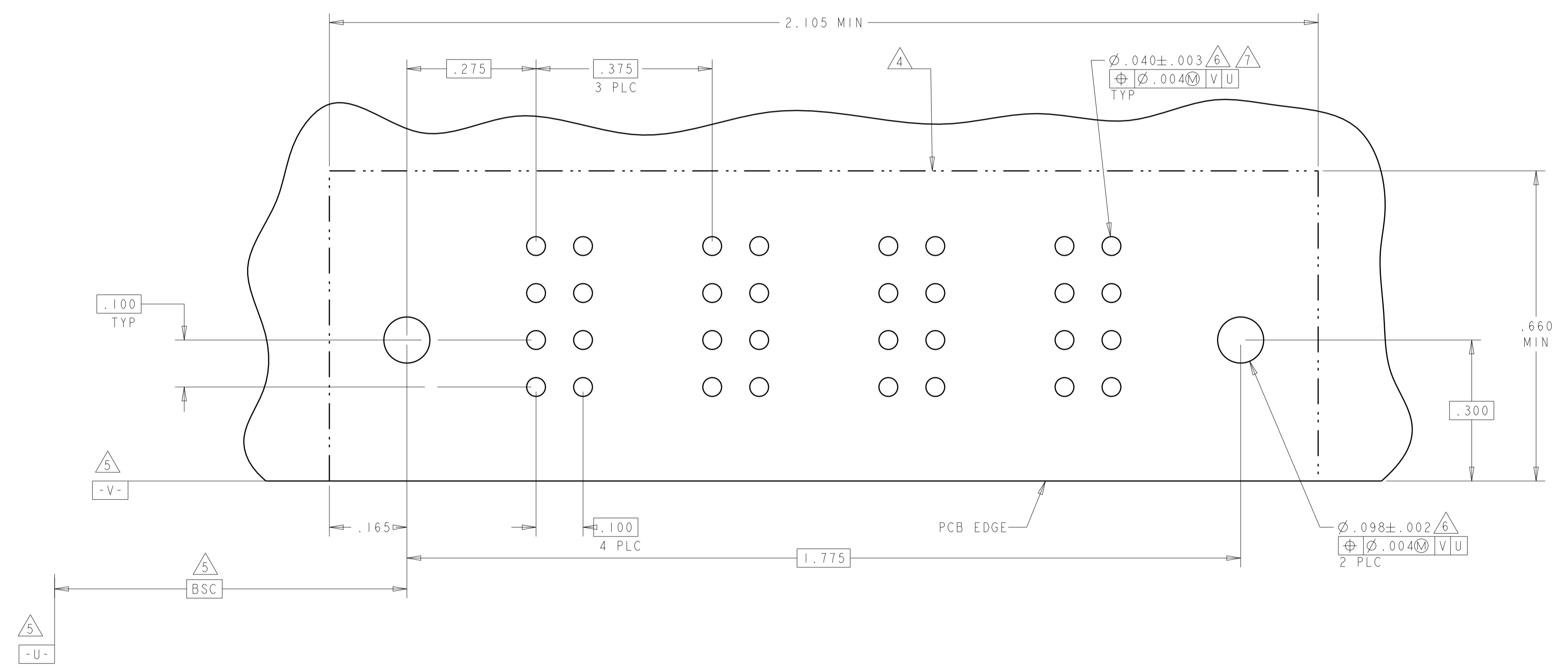


THIS DRAWING IS A CONTROLLED DOCUMENT.		DMN: R. GRZYBOWSKI CHK: M. PERCHERKE APVD: M. PERCHERKE	10FEB05 10FEB05	 TE Connectivity
DIMENSIONS: INCHES		NAME: RIGHT ANGLE HEADER ASSEMBLY W/GUIDES MULTI-BEAM XL PRODUCT SPEC: 108-1973 APPLICATION SPEC: 114-13038 SIZE: A100779 CAGE CODE: C=6450123 WEIGHT: - FINISH: - CUSTOMER DRAWING		
DIMENSIONS: INCHES TOLERANCES UNLESS OTHERWISE SPECIFIED: 0 PLC ± 1 PLC ±.01 2 PLC ±.01 3 PLC ±.005 4 PLC ±.0020 ANGLES ±.2°		RESTRICTED TO: - SCALE: 4:1 SHEET: 6 OF 8 REV: C6		

LOC	DIST	REVISIONS			
P	LTN	DESCRIPTION	DATE	DMN	APVD
-	-	SEE SHEET 1	-	-	-

PART NUMBER	ROWS	POWER			
		P1	P2	P3	P4
1-6450123-5	D C B A	PM	PM	PM	PM
4P		HD			HD

PART NUMBER	ROWS	POWER		
		P1	P2	P3
1-6450123-6	D C B A	PM	PM	PM
3ACP		HD		HD

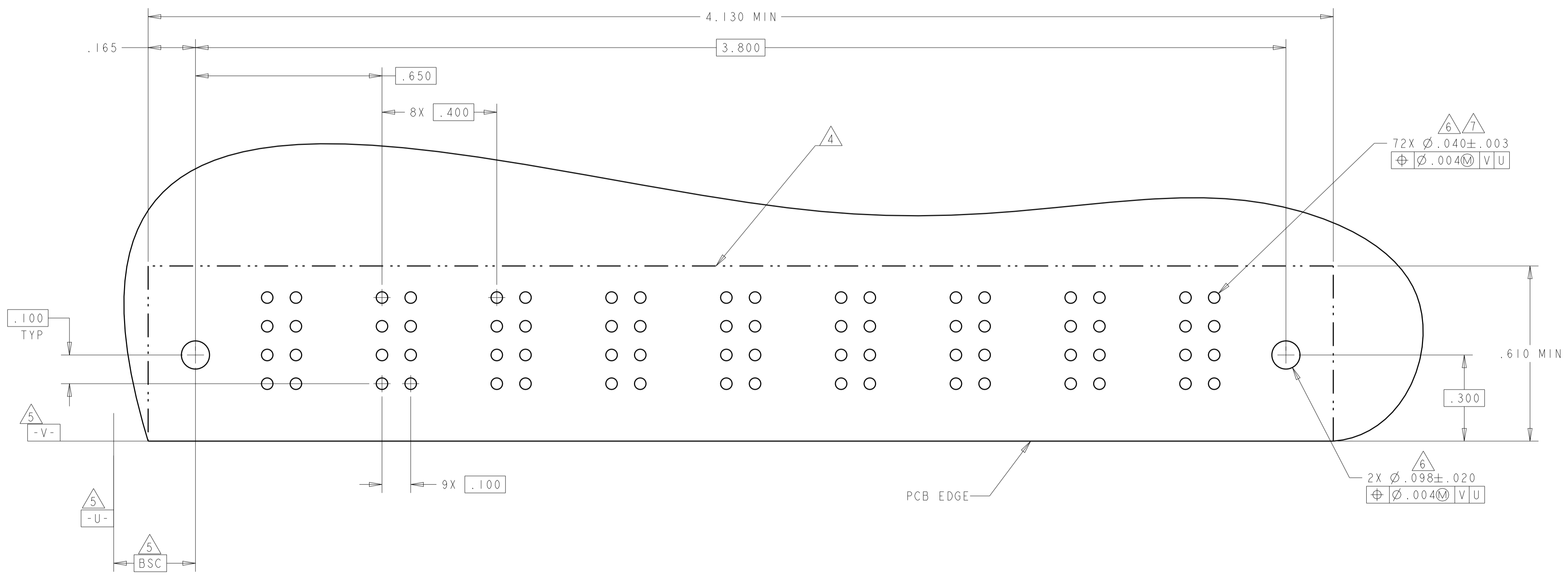
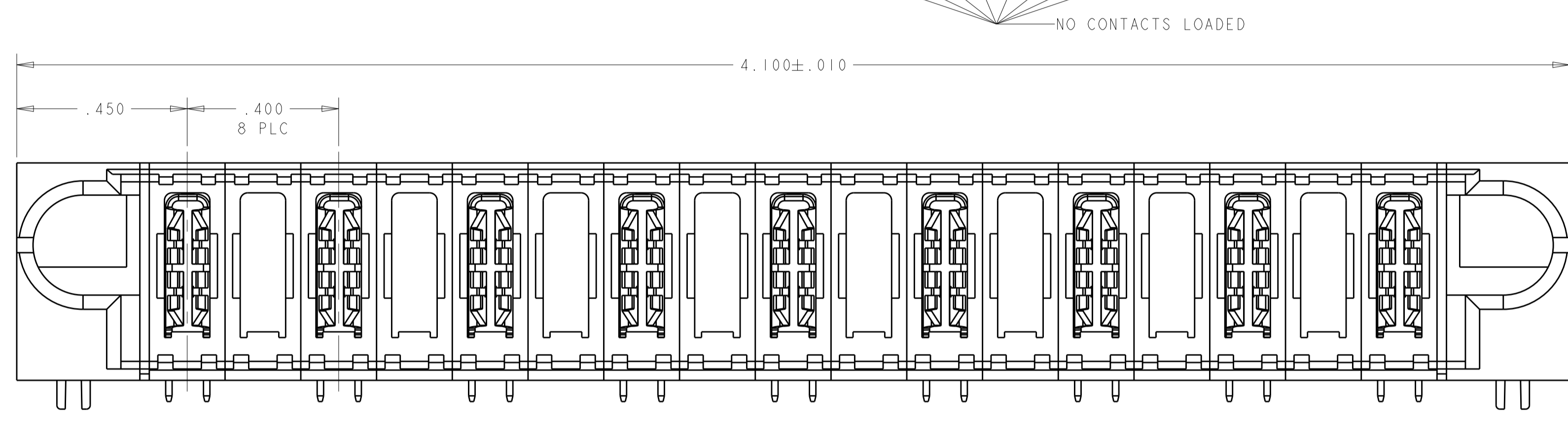


THIS DRAWING IS A CONTROLLED DOCUMENT.		DMN: R. GRZYBOWSKI	TOFEB05	TE Connectivity
DIMENSIONS: INCHES		CHK: M. PERCHERKE	TOFEB05	
TOLERANCES UNLESS OTHERWISE SPECIFIED:		APVD: M. PERCHERKE	NAME: RIGHT ANGLE HEADER ASSEMBLY W/GUIDES MULTI-BEAM XL	PRODUCT SPEC: 108-1973 APPLICATION SPEC: 114-13038 WEIGHT: - CUSTOMER DRAWING
0 PLC ±. 1 PLC ±.01 2 PLC ±.005 3 PLC ±.0020 4 PLC ±.0020 ANGLES ±.2°		PRODUCT SPEC: 108-1973 APPLICATION SPEC: 114-13038 WEIGHT: - CUSTOMER DRAWING	SIZE: A1 CAGE CODE: 100779 DRAWING NO: C=6450123	
MATERIAL: -		SCALE: 4:1		SHEET 7 OF 8 REV: C6

LOC	DIST	REVISIONS			
P	LTN	DESCRIPTION	DATE	DMN	APVD
-	-	SEE SHEET 1	-	-	-

PART NUMBER	ROWS	POWER																
		P1	P2	P3	P4	P5	P6	P7	P8	P9	P10	P11	P12	P13	P14	P15	P16	P17
1-6450123-8	D C B A	PM																
		HD																
17P																		

FOR PART 1-6450123-8 MAX OPERATING VOLTAGE: 480VAC AND WITHSTAND HOT PLUG WITH 480VAC 0.1A



THIS DRAWING IS A CONTROLLED DOCUMENT.		DMN R. GRZYBOWSKI	10FEB05	STE TE Connectivity
DIMENSIONS: INCHES		CHK M. PERCHERKE	10FEB05	
TOLERANCES UNLESS OTHERWISE SPECIFIED:		APVD M. PERCHERKE		NAME RIGHT ANGLE HEADER ASSEMBLY W/GUIDES MULTI-BEAM XL
0 PLC ±		PRODUCT SPEC	108-1973	
1 PLC ±.01		APPLICATION SPEC	114-13038	SIZE A100779
2 PLC ±.005		WEIGHT		CAGE CODE C=6450123
3 PLC ±.0020		RESTRICTED TO		REV C6
4 PLC ±.0020		CUSTOMER DRAWING	SCALE 4:1	SHEET 8 OF 8
ANGLES ±.020				
FINISH				

Mouser Electronics

Authorized Distributor

Click to View Pricing, Inventory, Delivery & Lifecycle Information:

[TE Connectivity:](#)

[6450123-1](#)