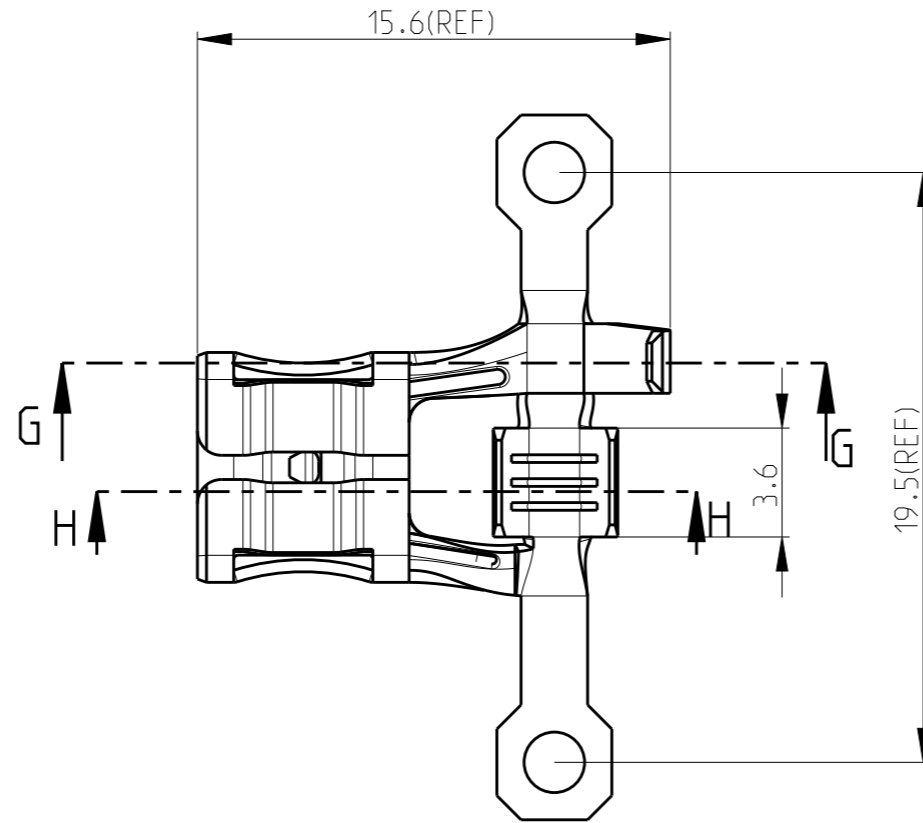
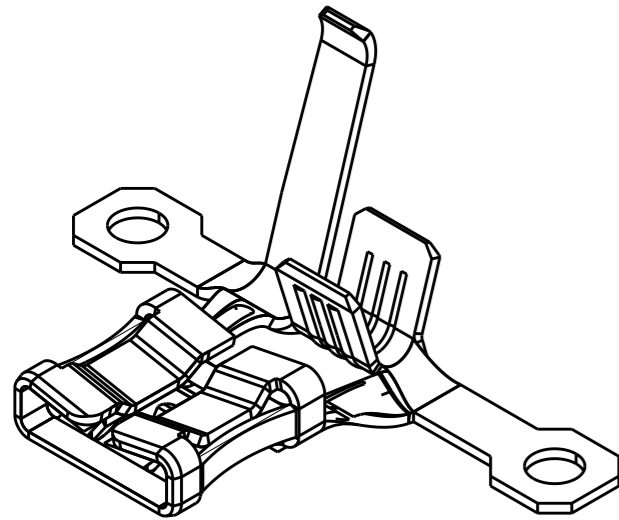


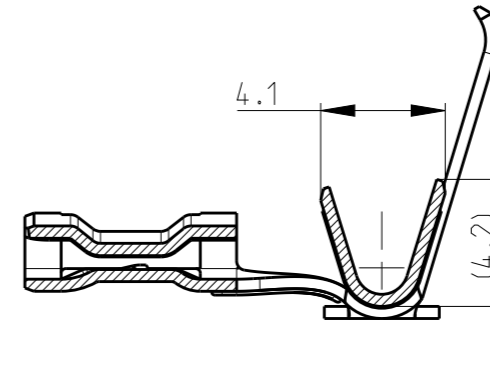
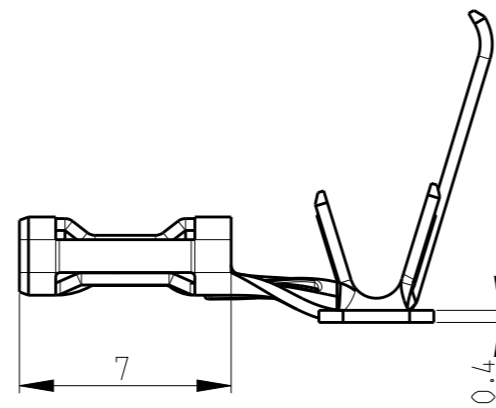
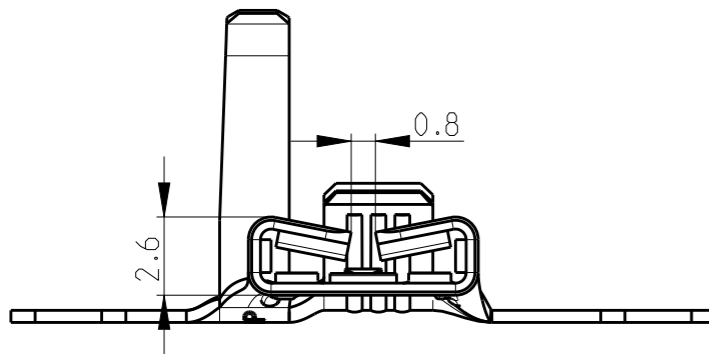
THIS DRAWING IS UNPUBLISHED. RELEASED FOR PUBLICATION 20
 © COPYRIGHT 20 BY TYCO ELECTRONICS CORPORATION ALL RIGHTS RESERVED.

LOC	DIST	REVISIONS					
		P	LTR	DESCRIPTION	DATE	DWN	APVD
-	-		A	RELEASE PER ECR-14-018864	24DEC2014	DL	TD
			A1	RELEASE PER ECR-15-004911	31MAR2015	DL	TD
			A2	RELEASE PER ECR-15-013713	21SEP2015	DL	TD

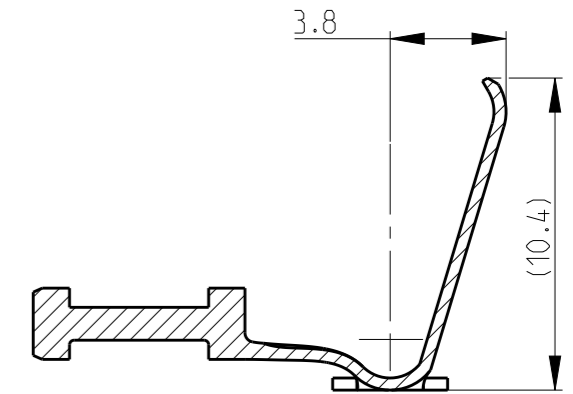


NOTE:

1. CONTINUOUS STRIP ON REELS
2. MATING TAB ACCORDING TO UL310 AND IEC61210 NORM. (WIDTH*THICKNESS IS 6.3*0.8 mm)
3. WIRE SIZE IS #16-#12 AWG(1.5-3.3 sqmm)
4. INSULATION RANGE IS Ø2.7-3.8mm
5. CUT-OFF LENGTH IS 0.5mm MAX.



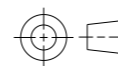
SECTION H-H



SECTION G-G

THIS DRAWING IS A CONTROLLED DOCUMENT.

DIMENSIONS:
mm



TOLERANCES UNLESS OTHERWISE SPECIFIED:

0 PLC	±0.5
1 PLC	±0.5
2 PLC	±0.25
3 PLC	±
4 PLC	±
ANGLES	±1°
FINISH	SEE TABLE

MATERIAL SEE TABLE

DWN VIBHUTHI 29NOV2012

CHK SUBHASH M 29NOV2012

APVD SURESH T N 29NOV2012

PRODUCT SPEC 108-64027

APPLICATION SPEC 114-64027

WEIGHT -

Customer Drawing



NAME
6.3 SRS FLAG F-SPRING LIF RECEPTACLE

SIZE A3	CAGE CODE 00779	DRAWING NO C=2178439	RESTRICTED TO -
---------	-----------------	----------------------	-----------------

Pre-NICKEL	Steel	2178439-1
FINISH	MATERIAL	PART NO.

SCALE 4:1	SHEET 1 OF 1	REV A2
-----------	--------------	--------

Mouser Electronics

Authorized Distributor

Click to View Pricing, Inventory, Delivery & Lifecycle Information:

[TE Connectivity:](#)

[2178439-1](#) [2178439-1 \(Mouser Reel\)](#) [2178439-1 \(Cut Strip\)](#)