



Features:

- Motor: Brushless DC
- Motor Protection: Impedance Protected
- Bearing Type: Two Ball or Hydro Dynamic
- Connection: UL 1007 AWG 26, 290mm Wire Leads
- Frame Material: Plastic UL94V-0
- Impeller Material: Plastic UL94V-0
- Operating Temp:
 - Two Ball: -10°C~70°C
 - Hydro Dynamic: -10°C~70°C
- Life Expectancy:
 - Two Ball: 70,000 Hours
 - Hydro Dynamic: 50,000 Hours



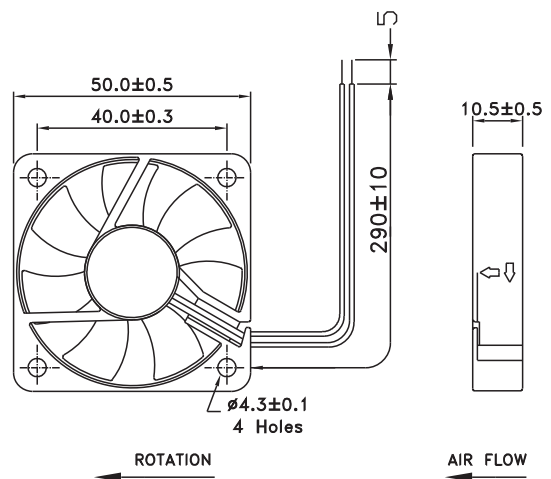
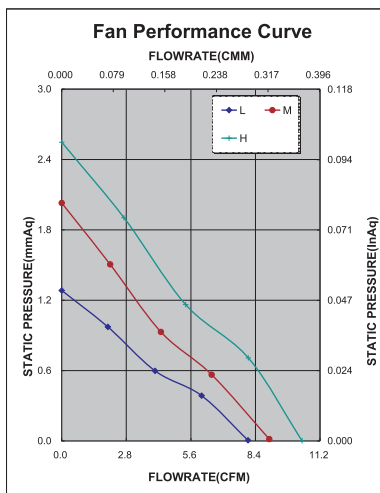
Fan-S Division



Model No.	Volt.	Current	Power	Rated Speed	Maximum AirFlow		Maximum Static Pressure		Noise Level	Weight
	(VDC)	(A)	(W)	(rpm)	(CMM)	(CFM)	(InAq)	(mmAq)	(dB/A)	(g)
FAD1-05010B * LW11	5	0.10	0.45	3700	0.226	8.000	0.050	1.270	20.0	18.0
FAD1-05010B * MW11	5	0.13	0.65	4300	0.254	9.000	0.080	2.030	24.0	18.0
FAD1-05010B * HW11	5	0.22	1.10	5000	0.291	10.300	0.100	2.540	27.5	18.0
FAD1-05010C * LW11	12	0.08	0.96	3700	0.226	8.000	0.050	1.270	20.0	18.0
FAD1-05010C * MW11	12	0.10	1.20	4300	0.254	9.000	0.080	2.030	24.0	18.0
FAD1-05010C * HW11	12	0.12	1.44	5000	0.291	10.300	0.100	2.540	27.5	18.0
FAD1-05010D * LW11	24	0.05	1.20	3700	0.226	8.000	0.050	1.270	20.0	18.0
FAD1-05010D * MW11	24	0.06	1.44	4300	0.254	9.000	0.080	2.030	24.0	18.0
FAD1-05010D * HW11	24	0.08	1.92	5000	0.291	10.300	0.100	2.540	27.5	18.0

* Indicates "B" (Ball Bearing), or "H" (Hydro Dynamic)

Noise is measured at the distance of one (1) meter from the axis of intake.



Mouser Electronics

Authorized Distributor

Click to View Pricing, Inventory, Delivery & Lifecycle Information:

Qualtek:

[FAD1-05010BBHW11](#) [FAD1-05010BBLW11](#) [FAD1-05010BBMW11](#) [FAD1-05010BHHW11](#) [FAD1-05010BHLW11](#)
[FAD1-05010BHMW11](#) [FAD1-05010BSHW11](#) [FAD1-05010BSLW11](#) [FAD1-05010BSMW11](#) [FAD1-05010CBHW11](#)
[FAD1-05010CBLW11](#) [FAD1-05010CBMW11](#) [FAD1-05010CHHW11](#) [FAD1-05010CHLW11](#) [FAD1-05010CHMW11](#)
[FAD1-05010CSHW11](#) [FAD1-05010CSLW11](#) [FAD1-05010CSMW11](#) [FAD1-05010DBHW11](#) [FAD1-05010DBLW11](#)
[FAD1-05010DBMW11](#) [FAD1-05010DHHW11](#) [FAD1-05010DHLW11](#) [FAD1-05010DHMW11](#) [FAD1-05010DSHW11](#)
[FAD1-05010DSLW11](#) [FAD1-05010DSMW11](#)