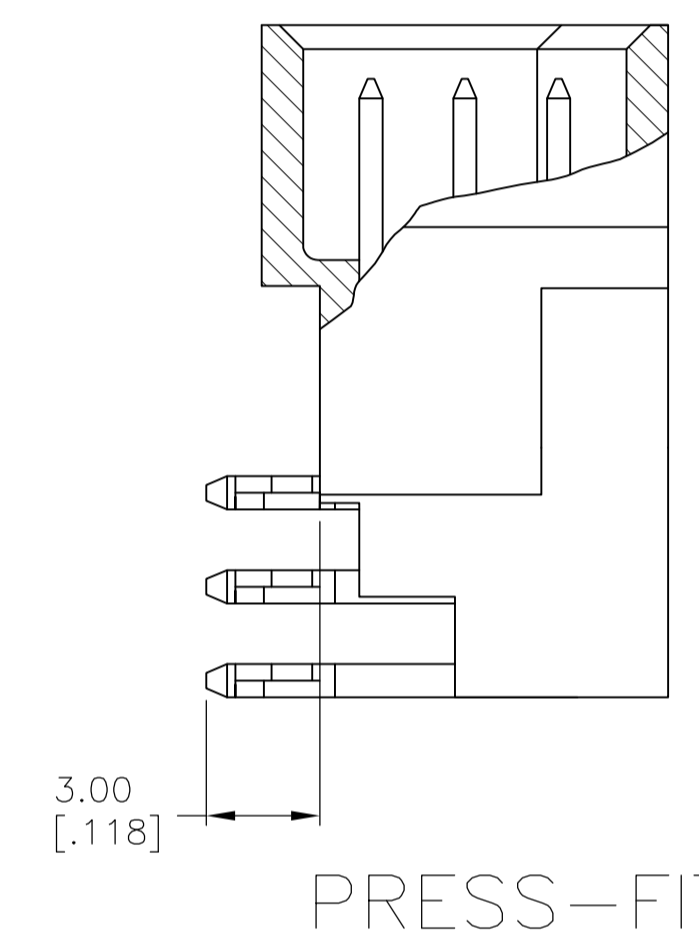
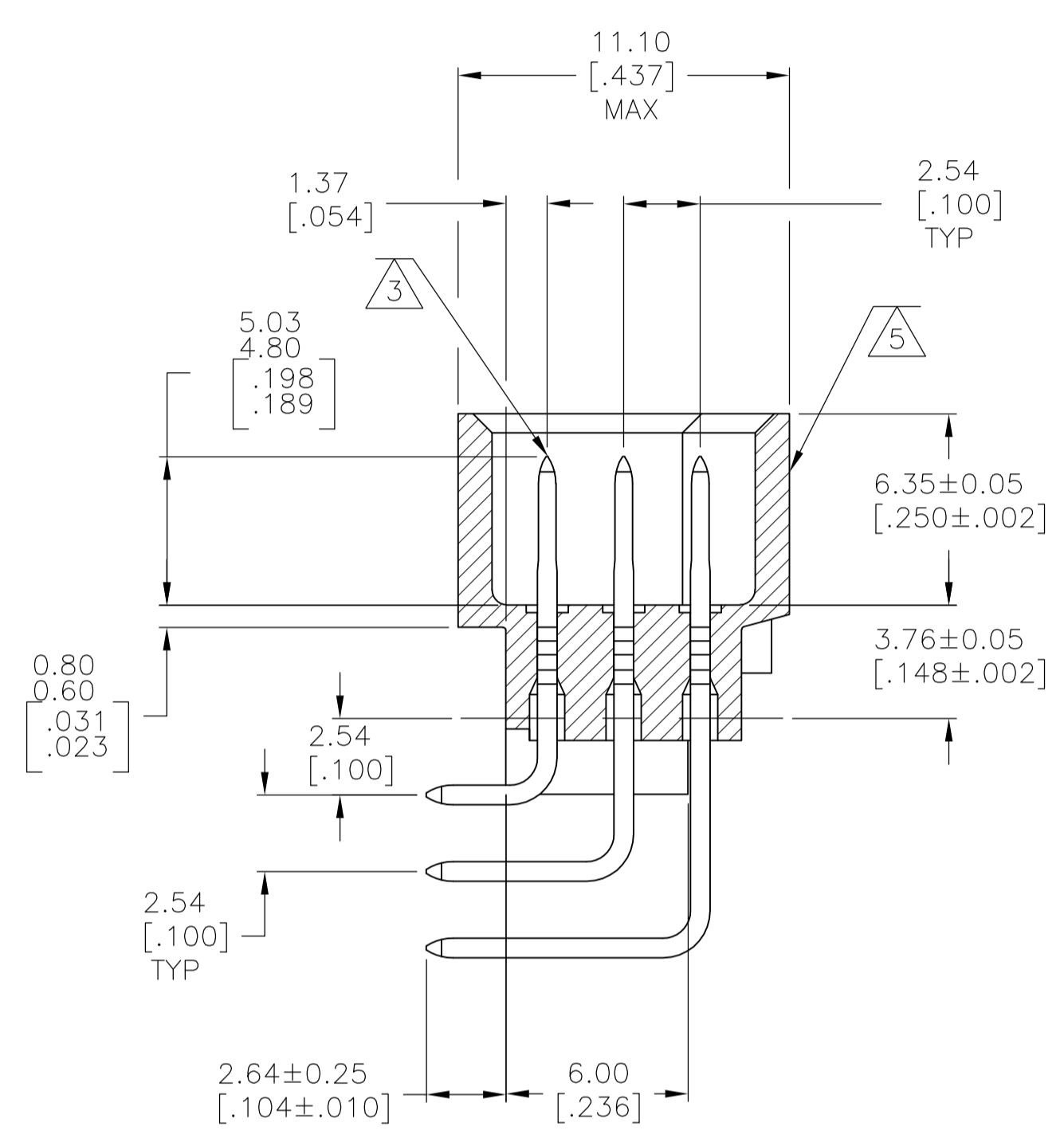
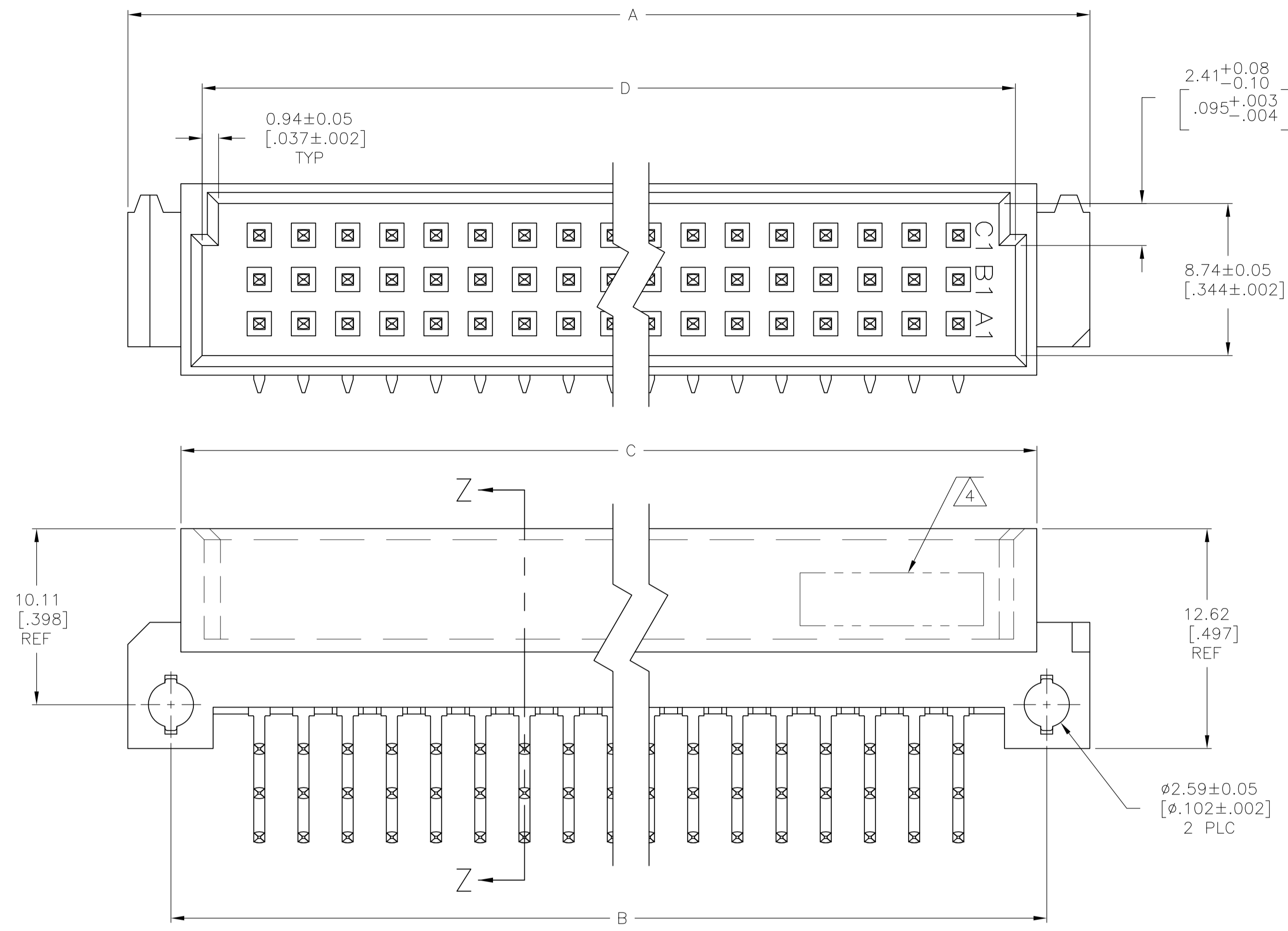
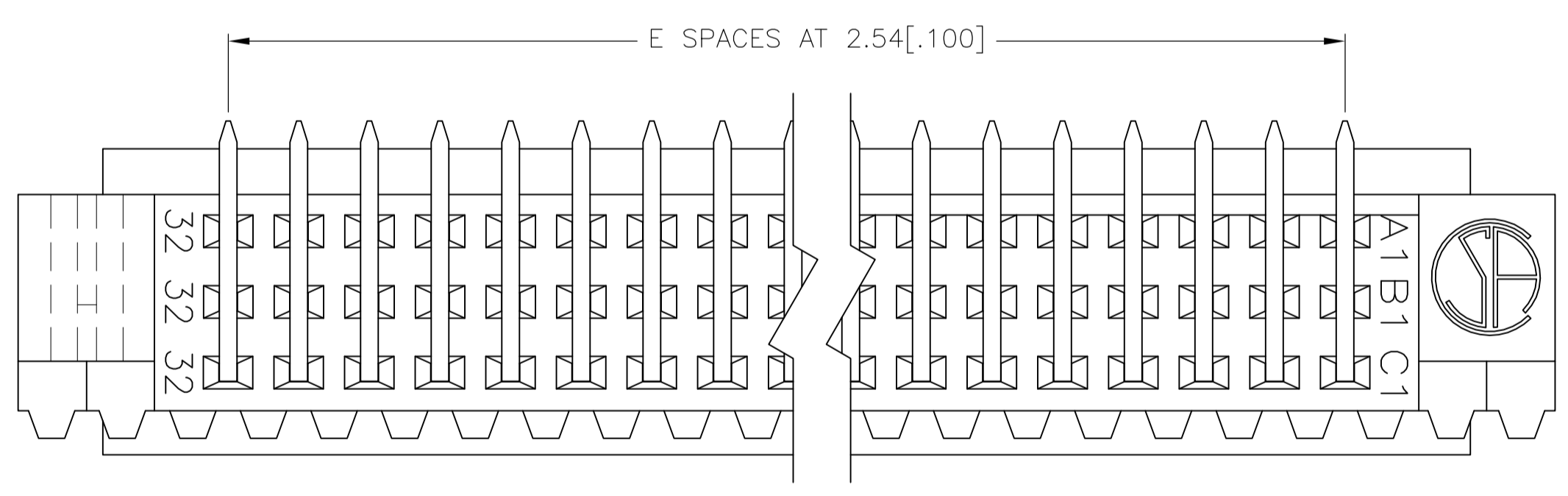


| LOC |                           | DIST |           | REVISIONS |     |      |  |
|-----|---------------------------|------|-----------|-----------|-----|------|--|
| AD  | 00                        | REV  | DATE      | BY        | CHK | APPV |  |
| S   | REVISED PER ECO-14-009163 |      | 18JUN2014 | AP        | RP  |      |  |

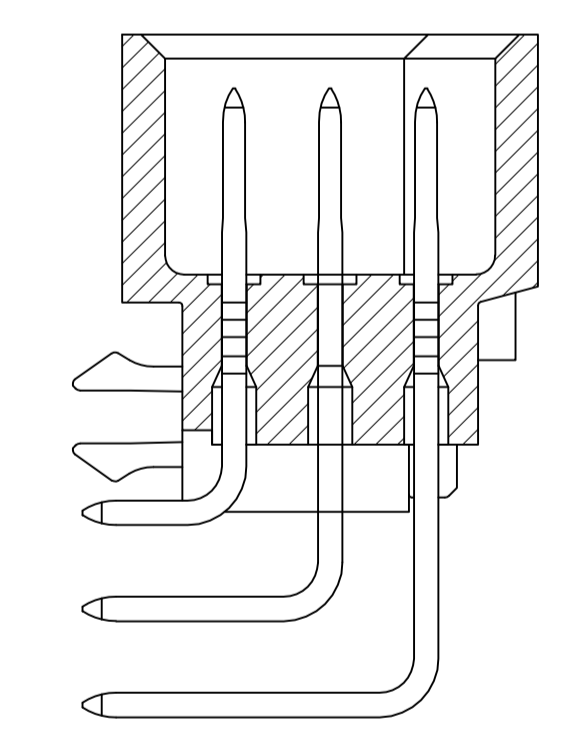
- 1 HOUSING MATERIAL: GLASS-FILLED POLYMER.
- 2 POST MATERIAL: COPPER ALLOY.
- 3 NICKEL UNDERPLATE 1.27UM [.000050] ON ALL CONTACTS.
- 4 PART NUMBER, DATE CODE MARKED THIS APPROXIMATE AREA.
- 5 MARKING ON THIS SIDE.
- 6 RECOMMENDED HOLE SIZE FOR MANUAL APPLICATION OF SOLDER CONNECTORS INTO PC BOARD. REFERENCE APPLICATION SPEC 114-9014 FOR RECOMMENDED PLATED THROUGH HOLE SIZE FOR PRESS-FIT APPLICATIONS



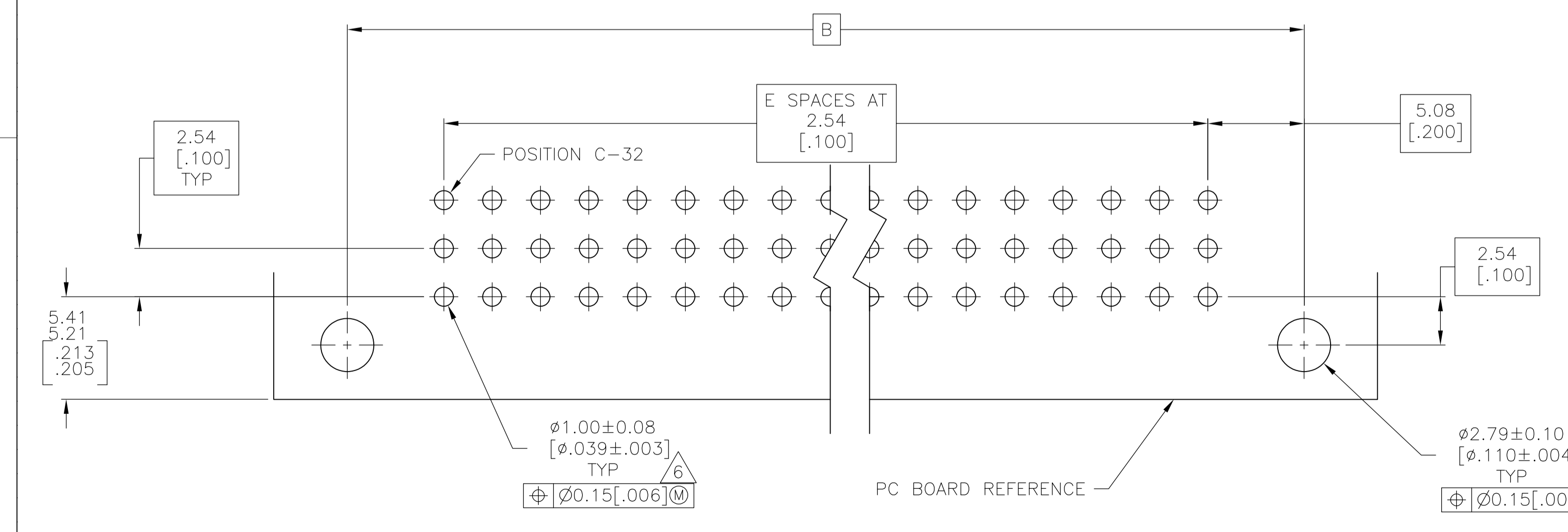
PRESS-FIT



SECTION Z-Z



BOARD LOCK



PC BOARD LAYOUT

| ROW | NO. OF LOADED POSITIONS | HOUSING SIZE | ROHS COMPLIANT | ROHS COMPLIANT | NON ROHS COMPLIANT | ROHS COMPLIANT          | ROHS COMPLIANT | ROHS COMPLIANT     | ROHS COMPLIANT | ROHS COMPLIANT     | ROHS COMPLIANT | ROHS COMPLIANT     | ROHS COMPLIANT     | ROHS COMPLIANT     | ROHS COMPLIANT     | ROHS COMPLIANT     | ROHS COMPLIANT     |                    |                    |
|-----|-------------------------|--------------|----------------|----------------|--------------------|-------------------------|----------------|--------------------|----------------|--------------------|----------------|--------------------|--------------------|--------------------|--------------------|--------------------|--------------------|--------------------|--------------------|
| 49  | 131.01                  | 133.48       | 134.62         | 139.7          | A-B-C              | 150                     | 150            |                    |                |                    |                |                    |                    |                    |                    |                    | 650907-5           | 5650915-5          | 5650907-5          |
| 39  | 105.61                  | 108.08       | 109.22         | 114.3          | A-B-C              | 120                     | 120            |                    |                |                    |                |                    |                    |                    |                    |                    | 650906-5           | 5650914-5          | 5650906-5          |
| 31  | 85.29                   | 87.76        | 88.9           | 94.0           | A-C                | 64                      | 96             | 216432-4           | 216432-1       |                    |                | 650945-3           | 536356-5           | 650945-5           | 5536356-5          | 5650945-5          |                    |                    |                    |
| 31  | 85.29                   | 87.76        | 88.9           | 94.0           | A-B-C              | 96                      |                | 215605-4           | 215605-1       | 650473-8           |                | 650473-3           | 650913-5           | 650473-5           | 5650913-5          | 5650473-5          |                    |                    |                    |
| 15  | 44.65                   | 47.12        | 48.26          | 53.34          | A-C                | 32                      | 48             | 106276-4           |                |                    |                | 650946-3           | 650978-5           | 650946-5           | 5650978-5          | 5650946-5          |                    |                    |                    |
| 15  | 44.65                   | 47.12        | 48.26          | 53.34          | A-B-C              | 48                      |                | 216398-4           | 216398-1       |                    |                | 650478-3           | 148020-5           | 650478-5           | 5148020-5          | 5650478-5          |                    |                    |                    |
|     |                         |              |                |                |                    |                         |                | Press-fit          | Press-fit      | Wave Solder        | Wave Solder    | Wave Solder        | Wave Solder        | Wave Solder        | Wave Solder        | Wave Solder        | Reflow 260°C       | Reflow 260°C       |                    |
| E   | D                       | C            | B              | A              | ROWS LOADED        | NO. OF LOADED POSITIONS | HOUSING SIZE   | ROHS COMPLIANT     | ROHS COMPLIANT | NON ROHS COMPLIANT | ROHS COMPLIANT | ROHS COMPLIANT     | ROHS COMPLIANT     | ROHS COMPLIANT     | ROHS COMPLIANT     | ROHS COMPLIANT     | ROHS COMPLIANT     | ROHS COMPLIANT     | ROHS COMPLIANT     |
|     |                         |              |                |                |                    |                         |                | DIN 41612 Level II | 1.25um GOLD    | DIN 41612 Level II | Gold Flash     | DIN 41612 Level II | DIN 41612 Level II | DIN 41612 Level II | DIN 41612 Level II | DIN 41612 Level II | DIN 41612 Level II | DIN 41612 Level II | DIN 41612 Level II |
|     |                         |              |                |                |                    |                         |                | No Boardlock       | No Boardlock   | No Boardlock       | No Boardlock   | With Boardlock     | No Boardlock       | No Boardlock       | With Boardlock     | No Boardlock       | NO Boardlock       | NO Boardlock       | NO Boardlock       |

THIS DRAWING IS A CONTROLLED DOCUMENT. DIN L BRINER 2/13/91. CHK: D.C. RUBENDALL 2/13/91. APVD: D.C. RUBENDALL 2/13/91. NAME: ASSEMBLY, PIN EUROCARD, TYPE C, .104 SOLDER POST. MATERIAL: FINISH: APPLICATION SPEC: WEIGHT: A1 00779 C=650473. CUSTOMER DRAWING. SCALE: 5:1. SHEET 1 OF 1. REV S.

# Mouser Electronics

Authorized Distributor

Click to View Pricing, Inventory, Delivery & Lifecycle Information:

[TE Connectivity:](#)

[5650913-5](#)