

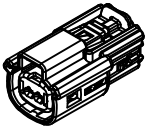
TABLE OF CONTENTS	
SHEET NO.	SHEET DESCRIPTION
1	NOTES AND BOM
2	CONFIGURATIONS
3-4	KEY CONFIGURATIONS
5	RECEPTACLE CONNECTOR ASSEMBLY
6	BACKSHELL NOTES
7	BACKSHELL
8	BACKSHELL CONFIGURATIONS

NOTES: VALID UNLESS OTHERWISE SPECIFIED

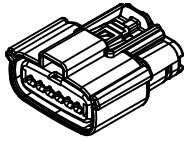
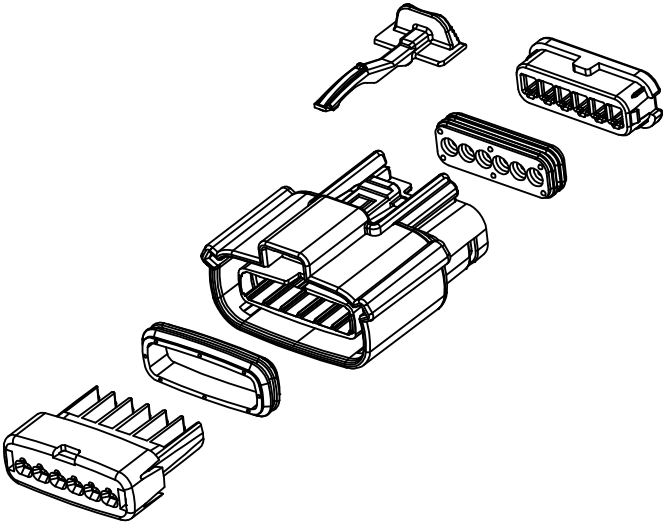
1. GENERAL:
- a. APPLICATION SPECIFICATION SEE: AS-33472-100  
 -CONTAINS: PRODUCT INTRODUCTION, PRODUCT SUMMARY, CONNECTOR ASSEMBLY, PACKAGING INFORMATION, CONNECTOR MATING, SERVICE INSTRUCTIONS, ELECTRICAL CONTINUITY CHECKING, CRIMPING, AND TROUBLESHOOTING.  
 -DESIGNED TO MATE WITH DEVICE OR CONNECTOR AS SPECIFIED IN THE MATING INTERFACE/CONNECTOR DRAWINGS CHART.  
 \*DENOTES DRAWINGS THAT CAN BE ACCESSED AT <http://ewcap.uscarteams.org/>.  
 -ASSEMBLY SHIPPED WITH PLR IN PRE-LOCK POSITION (SEE PLR PRE-LOCK VIEW SHEET 5).
- b. PRODUCT SPECIFICATION SEE:  
 -STANDARD CONFIGURATION: PS-33471-000  
 -UL V0 CONFIGURATION: PS-160105-0001  
 CONTAINS: PRODUCT INTRODUCTION, PRODUCT SUMMARY, RATINGS (CURRENT, TEMPERATURE, SEALING, AND FLAMMABILITY), TERMINALS, WIRE DIAMETER RANGE, PRODUCT VALIDATION, AND PRODUCT DEVIATIONS.
- c. PACKAGING SPECIFICATION PER MOLEX DRAWING; SEE PACKAGING CHART
- d. PARTS MUST BE IN COMPLIANCE TO MOLEX CHEMICAL SUBSTANCES FOR PRODUCTS AND PACKAGING SPECIFICATION: OEHS-699000-301
- e. DATA MUST BE SUBMITTED UNDER THE MOLEX PART NUMBER TO IMDS (COMPANY ID#13255)
2. DESIGN - MATERIALS:
- a. FOR BILL OF MATERIALS SEE:  
 -STANDARD CONFIGURATION SD-33471-0002  
 -UL V0 CONFIGURATION SD-160105-0002
3. DESIGN - GEOMETRY:
- a. THE 3-D CAD DATA IS BASIC (WITHOUT TOLERANCE) AND MASTER FOR THIS PART WITH THE EXCEPTION OF UNDERLINED DIMENSIONS. DIMENSIONAL INFORMATION NOT SHOWN ON THIS DRAWING IS DEFINED BY THE DATA FILE AT ITS LATEST REVISION.
- b. GEOMETRIC DIMENSIONS AND TOLERANCES PER ASME Y14.5M-2009
- c. EDGES AND UNDIMENSIONED DETAILS PER ISO13715
- d. CORNERS SHOWN AS SHARP TO BE R 0.2 MAX.
- e. LETTERING SHALL BE 0.15 MAX RAISED IN 0.25 MAX RECESS PAD. THIS INCLUDES RECYCLING CODE, CAVITY ID, VENDOR IDENTIFICATION, AND CUSTOMER MATERIAL NUMBER.
- f. VISUAL DEFECTS SHALL MEET COSMETIC STANDARD PS-45499-002 (Class B).
- g. LASER MARKING:  
 1. PART NUMBER  
 2. DAY OF THE YEAR  
 3. SHIFT  
 4. YEAR  
 FOR ADDITIONAL INFORMATION SEE SECTION 5 UNDER PROCEDURES IN ES-34735-008.

PACKAGING	
DESCRIPTION	DRAWING NO.
1X2	PK-31300-635
1X6	PK-31300-903

MATING INTERFACE/CONNECTOR DRAWINGS		
DESCRIPTION	INTERFACE DEFINITION	MOLEX INLINE
1X2	*150-S-002-1-Z05	SD-33481-0001
1X6	*150-S-006-1-Z03	SD-33481-0001



1x2



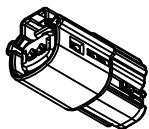
1x6

INSPECTION NUMBER LOG	2	UPDATE VIEWSETS
LAST NUMBER: 11	1	INITIAL RELEASE
ADDED: 11		
REMOVED:		
REV		REV DESCRIPTION

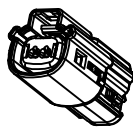
ENTER DESCRIPTION EEC NO: UAU2016-1641 DRWN:BTANG 2016/05/10 CHKD: APPR:KDEKOSKI 2016/06/14 REV:	QUALITY SYMBOLS	GENERAL TOLERANCES (UNLESS SPECIFIED)	DIMENSION STYLE <b>MM ONLY</b>	DRAWN BY DATE	TITLE
	▽=0	4 PLACES ± --- ± ---	m/m INCH	APPROFIT 2015/11/04	MX150 RCPT SINGLE ROW SEALED ASSY MAT SEAL <b>molex</b> DOCUMENT NO. SD-33471-0001 SHEET NO. 1 OF 8
	▽=0	3 PLACES ± --- ± ---		CHECKED BY DATE	
	▽=0	2 PLACES ± 0.10 ± ---		APPROVED BY DATE	
▽=0	1 PLACE ± 0.2 ± ---		KDEKOSKI 2016/06/14		
		0 PLACE ± --- ± ---		MATERIAL NO.	
		ANGULAR ± 1 °		SEE NOTE 2a.	
		DRAFT WHERE APPLICABLE MUST REMAIN WITHIN DIMENSIONS		THIS DRAWING CONTAINS INFORMATION THAT IS PROPRIETARY TO MOLEX AND SHOULD NOT BE USED WITHOUT WRITTEN PERMISSION	

**SHEET DESCRIPTION**

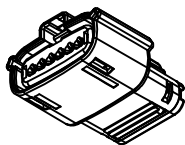
CONFIGURATIONS



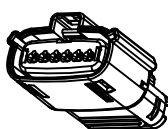
1x2 - STD



1x2 - UL V0\*



1x6 - STD



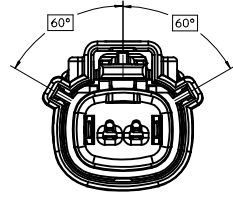
1x6 - UL V0\*

\*MINOR GEOMETRY DIFFERENCE THAN STANDARD CONFIGURATION  
SEE NOTES 1 & 2 FOR MORE INFORMATION

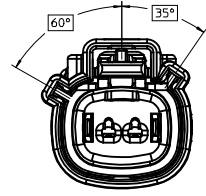
<b>ENTER DESCRIPTION</b> EC NO: UAU2016-1641 DRAWN BY: DRW:NBANG CHKD: APPR:KDEKOSKI DATE: 2016/06/14 REV: A	QUALITY SYMBOLS ▽=0 ▽=0 ▽=0	GENERAL TOLERANCES (UNLESS SPECIFIED) mm INCH 4 PLACES ± --- ± --- 3 PLACES ± --- ± --- 2 PLACES ± 0.10 ± --- 1 PLACE ± 0.2 ± --- 0 PLACE ± --- ± --- ANGULAR ± 1 °	DIMENSION STYLE <b>MM ONLY</b> DRAWN BY: APROFFITT DATE: 2015/11/04 CHECKED BY: DATE: APPROVED BY: KDEKOSKI DATE: 2016/06/14 MATERIAL NO.	SCALE: <b>1.5:1</b> DESIGN UNITS: <b>METRIC</b> THIRD ANGLE PROJECTION	TITLE: <b>MX150 RCPT                  SINGLE ROW SEALED ASSY                  MAT SEAL</b> <b>molex</b>	DOCUMENT NO. <b>SD-33471-0001</b>	SHEET NO. <b>2 OF 8</b>	
	DRAFT WHERE APPLICABLE MUST REMAIN WITHIN DIMENSIONS		SEE NOTE 2a.	THIS DRAWING CONTAINS INFORMATION THAT IS PROPRIETARY TO MOLEX INCORPORATED AND SHOULD NOT BE USED WITHOUT WRITTEN PERMISSION				
	SIZE: 1							

**SHEET DESCRIPTION**  
KEY CONFIGURATIONS

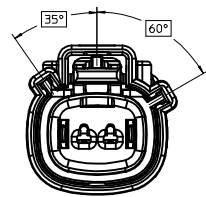
1X2



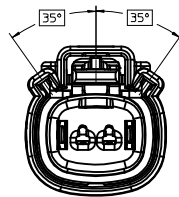
KEY A



KEY B



KEY C

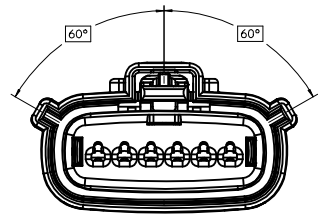


KEY D

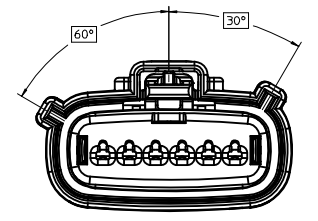
<b>ENTER DESCRIPTION</b> EC NO: UAU2016-1641 DRWN: BTANG 2016/05/10 CHKD: APPR: KDEKOSKI 2016/06/14	QUALITY SYMBOLS ▽=0 ▽=0 ▽=0	GENERAL TOLERANCES (UNLESS SPECIFIED)		DIMENSION STYLE <b>MM ONLY</b>		SCALE <b>3:1</b>	DESIGN UNITS <b>METRIC</b>	THIRD ANGLE PROJECTION	
		4 PLACES ± --- ± ---	mm	INCH	DRAWN BY APPROFFITT	DATE 2015/11/04	TITLE <b>MX150 RCPT SINGLE ROW SEALED ASSY MAT SEAL</b>		
		3 PLACES ± --- ± ---			CHECKED BY	DATE	APPROVED BY KDEKOSKI		
		2 PLACES ± 0.10 ± ---			APPROVED BY KDEKOSKI	DATE 2016/06/14	MATERIAL NO.	DOCUMENT NO. <b>SD-33471-0001</b>	SHEET NO. 3 OF 8
1 PLACE ± 0.2 ± ---	ANGULAR ± 1 °		DRAFT WHERE APPLICABLE MUST REMAIN WITHIN DIMENSIONS		SEE NOTE 2a.		THIS DRAWING CONTAINS INFORMATION THAT IS PROPRIETARY TO MOLEX INCORPORATED AND SHOULD NOT BE USED WITHOUT WRITTEN PERMISSION		
0 PLACE ± --- ± ---					SIZE A 1				

**SHEET DESCRIPTION**  
KEY CONFIGURATIONS CONT.

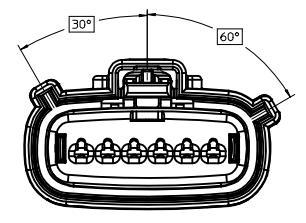
**1X6**



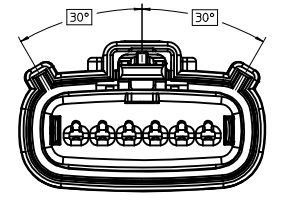
KEY A



KEY B



KEY C



KEY D

ENTER DESCRIPTION  
EC NO: UAU2016-1641  
DRAWN BY: DRW:NBRTANG 2016/05/10  
CHKD: A  
APPR:KDEKOSKI  
2016/06/14

QUALITY SYMBOLS	DESCRIPTION
▽=0	
▽=0	
▽=0	

GENERAL TOLERANCES (UNLESS SPECIFIED)	
mm	INCH
4 PLACES ± ---	± ---
3 PLACES ± ---	± ---
2 PLACES ± 0.10	± ---
1 PLACE ± 0.2	± ---
0 PLACE ± ---	± ---
ANGULAR ± 1 °	

DIMENSION STYLE	
MM ONLY	
DRAWN BY	DATE
APPROFFITT	2015/11/04
CHECKED BY	DATE
APPROVED BY	DATE
KDEKOSKI	2016/06/14
MATERIAL NO.	

SCALE	DESIGN UNITS	THIRD ANGLE PROJECTION
3:1	METRIC	
TITLE		
MX150 RCPT SINGLE ROW SEALED ASSY MAT SEAL		
<b>molex</b>		
DOCUMENT NO.	SHEET NO.	
SD-33471-0001	4 OF 8	

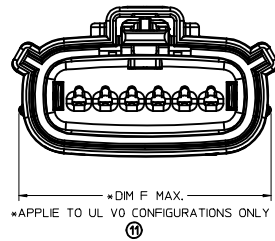
DRAFT WHERE APPLICABLE  
MUST REMAIN  
WITHIN DIMENSIONS

SEE NOTE 2a.  
THIS DRAWING CONTAINS INFORMATION THAT IS PROPRIETARY TO MOLEX  
INCORPORATED AND SHOULD NOT BE USED WITHOUT WRITTEN PERMISSION

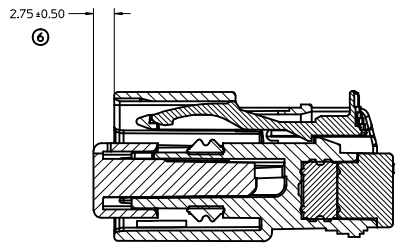
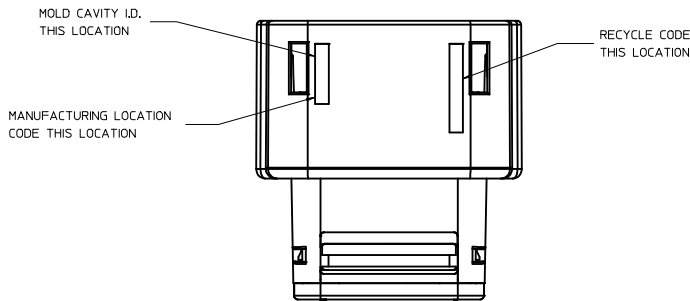
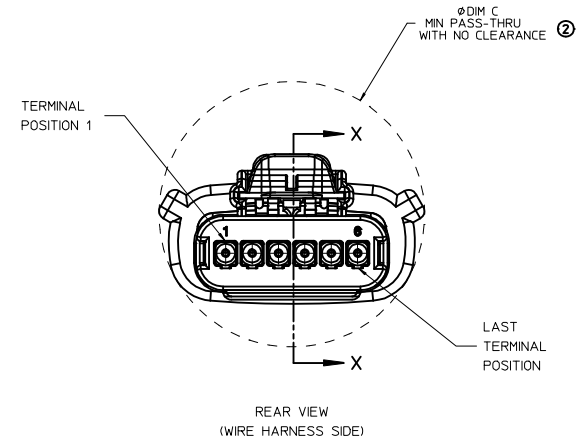
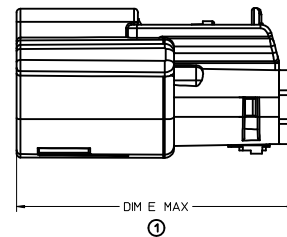
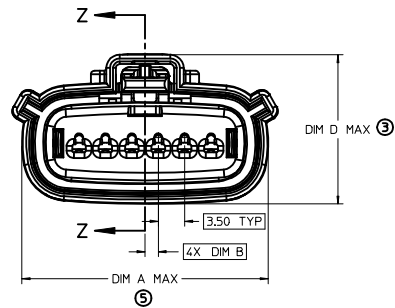
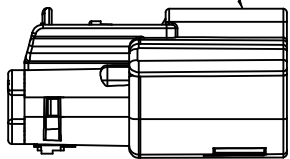
**SHEET DESCRIPTION**

RECEPTACLE CONNECTOR ASSEMBLY - STD

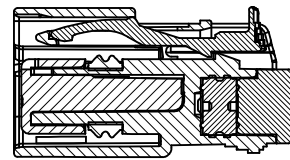
CHARTED DIMENSIONS						
DESCRIPTION	DIMENSIONS					
	A	B	C	D	E	F
1X2	19.40	1.75	21.73	20.55	37.65	19.64
1X6	32.75	1.75	35.21	19.90	37.65	N/A
1X6 UL V0	N/A	1.75	35.23	19.90	37.65	33.64



LASER MARKING ON THIS SURFACE  
SEE NOTE 3g.



PRIMARY LOCK REINFORCEMENT (PLR) SHOWN  
IN PRE-STAGED POSITION  
SECTION Z-Z



PRIMARY LOCK REINFORCEMENT (PLR) SHOWN  
IN FINAL-LOCK POSITION  
SECTION X-X

<b>ENTER DESCRIPTION</b> IEC NO: UAU2016-1641 DRAWN BY: DRWINBATANG CHKD: CHYKJ APPR: KDEKOSKI DATE: 2016/05/10 2016/06/14	<b>QUALITY SYMBOLS</b> ∇=0 ∇=1 ∇=2 ∇=3	<b>GENERAL TOLERANCES (UNLESS SPECIFIED)</b>		DIMENSION STYLE <b>MM ONLY</b>	SCALE <b>3:1</b>	DESIGN UNITS <b>METRIC</b>	THIRD ANGLE PROJECTION		
		m/m	INCH	DRAWN BY APROFFITT	DATE 2015/11/04	TITLE <b>MX150 RCPT SINGLE ROW SEALED ASSY MAT SEAL</b>			
		4 PLACES ± .--- ± .---	3 PLACES ± .--- ± .---	2 PLACES ± 0.10 ± .---	1 PLACE ± 0.2 ± .---	CHECKED BY DATE	APPROVED BY KDEKOSKI		
		0 PLACE ± .--- ± .---	ANGULAR ± 1 °		DRAFT WHERE APPLICABLE MUST REMAIN WITHIN DIMENSIONS		MATERIAL NO. SEE NOTE 2a.	DOCUMENT NO. SD-33471-0001	SHEET NO. 5 OF 8
THIS DRAWING CONTAINS INFORMATION THAT IS PROPRIETARY TO MOLEX INCORPORATED AND SHOULD NOT BE USED WITHOUT WRITTEN PERMISSION									

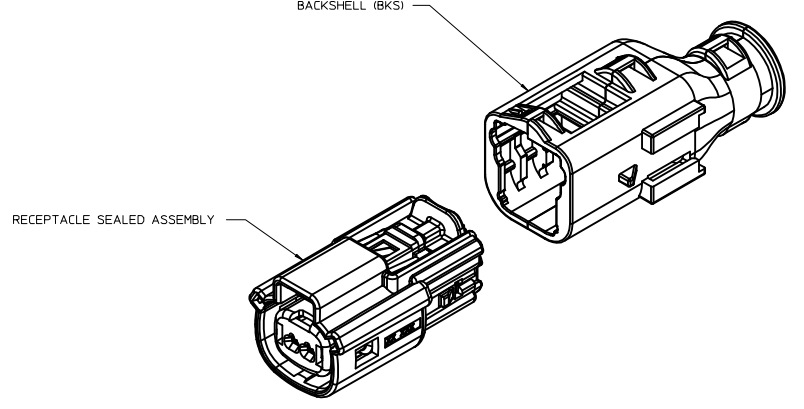
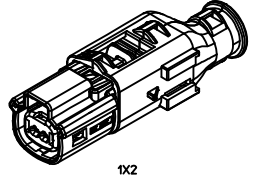
**SHEET DESCRIPTION**  
BACKSHELL NOTES

BACKSHELL NOTES: VALID UNLESS OTHERWISE SPECIFIED

1. GENERAL:  
 a. APPLICATION SPECIFICATION SEE: AS-34951-001  
 -DESIGNED TO MATE WITH RECEPTACLE SEALED ASSEMBLY SPECIFIED IN MOLEX DRAWING SD-33471-0001.  
 -SYSTEM TO BE USED WITH WIRE WITHIN DIAMETER RANGE OF 1.2mm TO 2.69mm.  
 -COMPONENTS ARE OPTIONAL AND MUST BE PURCHASED SEPERATELY.  
 -BACKSHELL DESIGN IS OWNED BY SCHLEMMER.  
 -FOR ADDITIONAL INFORMATION SEE THE BACKSHELL COMPONENT DRAWING SD-34949-0001.

BACKSHELL CUSTOMER MODEL NUMBER LEGEND

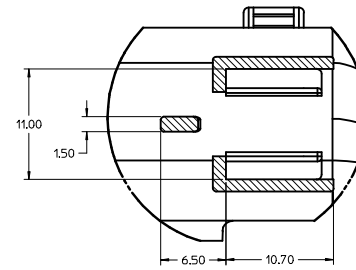
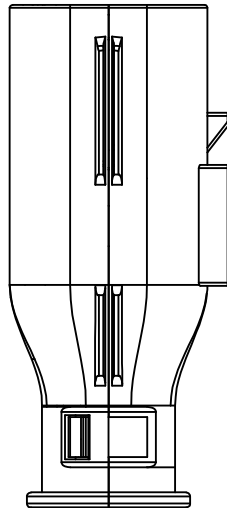
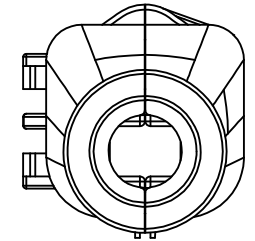
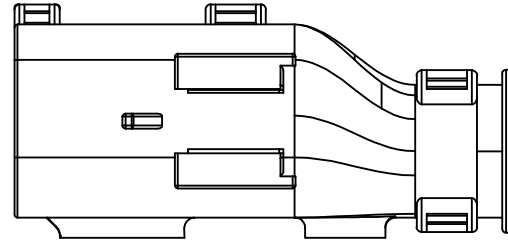
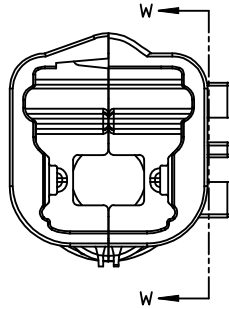
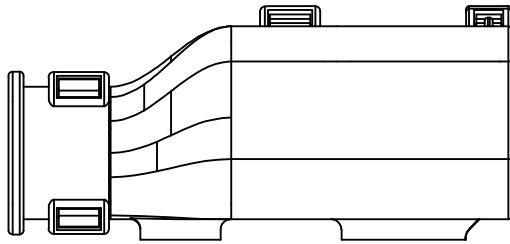
- 34949-XXXX
- CUSTOMER MODEL COMPONENTS
    - 0 - BACKSHELL ONLY
    - 1 - BACKSHELL & MX150 HOUSING KEY A ASSEMBLY
    - 2 - BACKSHELL & MX150 HOUSING KEY B ASSEMBLY
    - 3 - BACKSHELL & MX150 HOUSING KEY C ASSEMBLY
    - 4 - BACKSHELL & MX150 HOUSING KEY D ASSEMBLY
  - BACKSHELL FEATURES
    - 1 - WITH RIBS
    - 2 - WITHOUT RIBS
  - MX150 CIRCUIT SIZE 02, 03, 04, 05, 06



ENTER DESCRIPTION EC NO: UAUZ016-1641 DRWNR:BIANG 2016/05/10 CHKD: APPR:KDEKOSKI 2016/06/14 A	QUALITY SYMBOLS	GENERAL TOLERANCES (UNLESS SPECIFIED)		DIMENSION STYLE <b>MM ONLY</b>		SCALE 4:1	DESIGN UNITS METRIC	THIRD ANGLE PROJECTION	
	∇=0 ∇=0 ∇=0	4 PLACES	± ---	± ---	DRAWN BY	DATE	TITLE <b>MX150 RCPT SINGLE ROW SEALED ASSY MAT SEAL</b>		
		3 PLACES	± ---	± ---	APPROFIT	2015/11/04			
		2 PLACES	± 0.10	± ---	CHECKED BY	DATE	APPROVED BY DATE KDEKOSKI 2016/06/14 MATERIAL NO. <b>SEE NOTE 2a.</b>		
1 PLACE		± 0.2	± ---						
0 PLACE	± ---	± ---	ANGULAR ± 1 °		DOCUMENT NO. SD-33471-0001		SHEET NO. 6 OF 8		
DRAFT WHERE APPLICABLE MUST REMAIN WITHIN DIMENSIONS		SEE NOTE 2a.		THIS DRAWING CONTAINS INFORMATION THAT IS PROPRIETARY TO MOLEX INCORPORATED AND SHOULD NOT BE USED WITHOUT WRITTEN PERMISSION					

**SHEET DESCRIPTION**

BACKSHELL

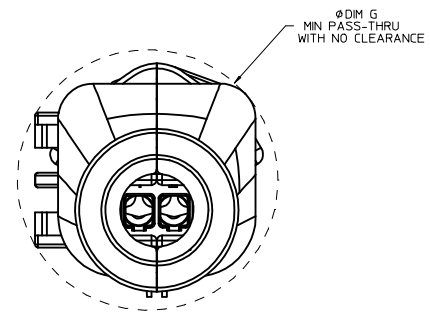
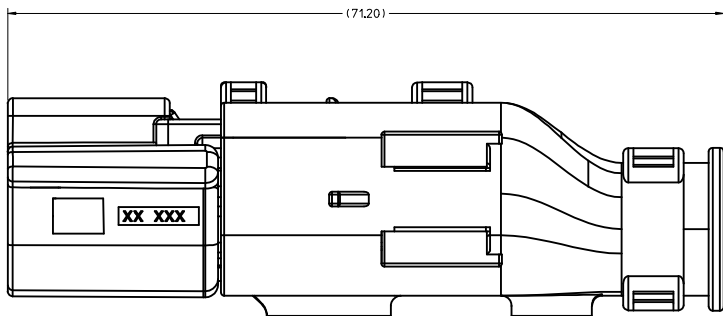


Partial W-W  
SCALE 4:1

<b>ENTER DESCRIPTION</b> EC NO: UA02016-1641 DRWN: BTANG 2016/05/10 CHKD: APPR: KDEKOSKI 2016/06/14	QUALITY SYMBOLS ∇=0 ∇=0 ∇=0 ∇=0	GENERAL TOLERANCES (UNLESS SPECIFIED) mm INCH 4 PLACES ± --- ± --- 3 PLACES ± --- ± --- 2 PLACES ± 0.10 ± --- 1 PLACE ± 0.2 ± --- 0 PLACE ± --- ± --- ANGULAR ± 1° DRAFT WHERE APPLICABLE MUST REMAIN WITHIN DIMENSIONS	DIMENSION STYLE <b>MM ONLY</b> DRAWN BY DATE APPROFIT 2015/11/04 CHECKED BY DATE APPROVED BY DATE KDEKOSKI 2016/06/14 MATERIAL NO. <b>SEE NOTE 2a.</b>	SCALE <b>4:1</b> DESIGN UNITS <b>METRIC</b> THIRD ANGLE PROJECTION	TITLE <b>MX150 RCPT                  SINGLE ROW SEALED ASSY                  MAT SEAL</b> <b>molex</b> DOCUMENT NO. <b>SD-33471-0001</b>	SHEET NO. <b>7 OF 8</b>
	REV A	DESCRIPTION	THIS DRAWING CONTAINS INFORMATION THAT IS PROPRIETARY TO MOLEX INCORPORATED AND SHOULD NOT BE USED WITHOUT WRITTEN PERMISSION	SIZE A1	SHEET NO.	7 OF 8

**SHEET DESCRIPTION**  
BACKSHELL CONFIGURATIONS

CHARTED DIMENSIONS	
DESCRIPTION	DIMENSIONS
1X2	G
	26.00

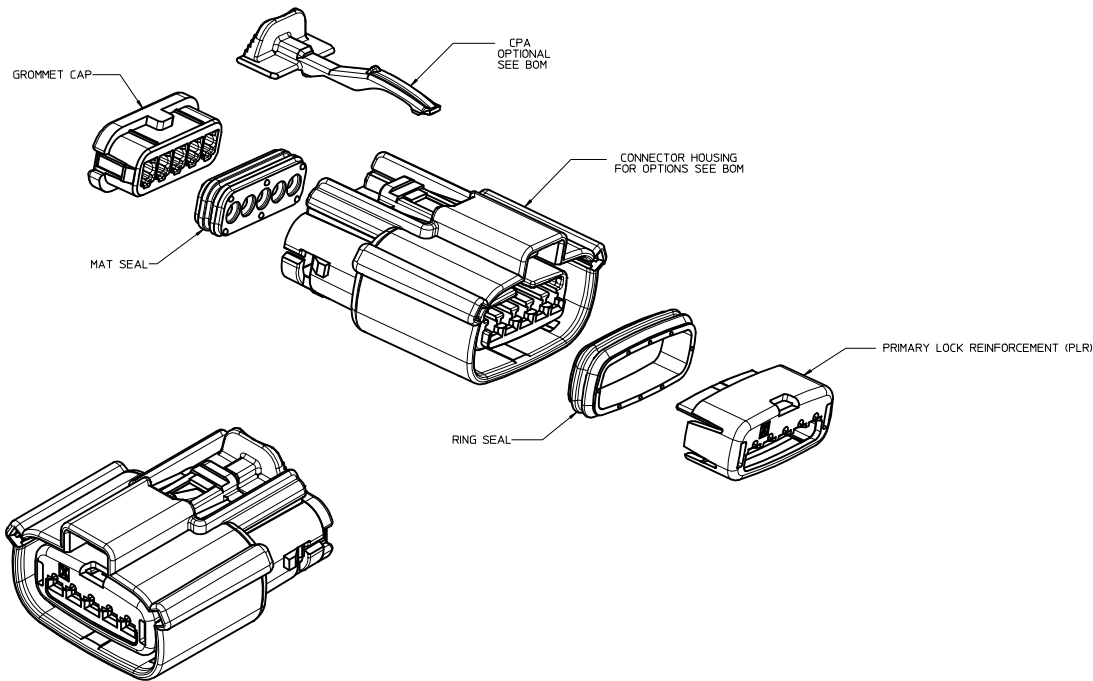


RECEPTACLE SEALED ASSEMBLY WITH RECEPTACLE BACKSHELL

<b>ENTER DESCRIPTION</b> EC NO: UAU2016-1641 DRWN: BTANG 2016/05/10 CHKD: A APPR: KDEKOSKI 2016/06/14	QUALITY SYMBOLS ∇=0 ∇=0 ∇=0 ∇=0	GENERAL TOLERANCES (UNLESS SPECIFIED)		DIMENSION STYLE <b>MM ONLY</b>		SCALE <b>4:1</b>	DESIGN UNITS <b>METRIC</b>	THIRD ANGLE PROJECTION	
		4 PLACES ± --- ± --- 3 PLACES ± --- ± --- 2 PLACES ± 0.10 ± --- 1 PLACE ± 0.2 ± --- 0 PLACE ± --- ± ---	mm INCH	DRAWN BY DATE APPROFFITT 2015/11/04	CHECKED BY DATE	TITLE <b>MX150 RCPT SINGLE ROW SEALED ASSY MAT SEAL</b>			
		ANGULAR ± 1 ° DRAFT WHERE APPLICABLE MUST REMAIN WITHIN DIMENSIONS	APPROVED BY DATE KDEKOSKI 2016/06/14	MATERIAL NO. <b>SEE NOTE 2a.</b>		DOCUMENT NO. <b>SD-33471-0001</b>		SHEET NO. <b>8 OF 8</b>	
		THIS DRAWING CONTAINS INFORMATION THAT IS PROPRIETARY TO MOLEX INCORPORATED AND SHOULD NOT BE USED WITHOUT WRITTEN PERMISSION							



TABLE OF CONTENTS	
SHEET NO.	SHEET DESCRIPTION
1	NOTES
2	KEY CONFIGURATIONS
3	RECEPTACLE SEALED ASSEMBLY
4	BOH



NOTES: VALID UNLESS OTHERWISE SPECIFIED

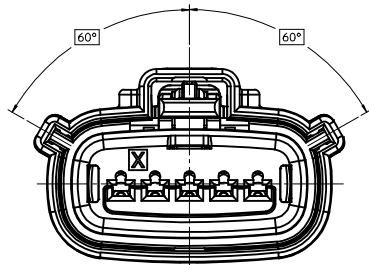
1. GENERAL:
  - a. APPLICATION SPECIFICATION SEE: AS-33472-100
    - CONTAINS: PRODUCT INTRODUCTION, PRODUCT SUMMARY, CONNECTOR ASSEMBLY, PACKAGING INFORMATION, CONNECTOR MATING, SERVICE INSTRUCTIONS, ELECTRICAL CONTINUITY CHECKING, CRIMPING, AND TROUBLESHOOTING.
    - DESIGNED TO MATE WITH DEVICE CONNECTION AS SPECIFIED IN DRAWING EWCAP 150-S-005-1-Z03, AVAILABLE AT <a href="http://ewcap.uscarteams.org/">http://ewcap.uscarteams.org/
    - DESIGNED TO MATE WITH BLADE SEALED ASSEMBLY AS SPECIFIED IN DRAWING SD-33481-051
    - FOR 15mm RECEPTACLE TERMINALS TO BE USED WITH THIS ASSEMBLY, SEE MOLEX DRAWING SD-33012-002.
    - SYSTEM TO BE USED WITH WIRE WITHIN DIAMETER RANGE OF 1.2mm TO 2.69mm.
    - ASSEMBLY SHIPPED WITH PLR AND CPA IN PRE-LOCK POSITION (SEE SECTION Z-Z PRE-LOCK).
    - IN THE EVENT THAT THE PLR IS FOUND IN THE SEATED (FINAL LOCK) POSITION, REFER TO MOLEX SPECIFICATION PS-34646-001, AVAILABLE AT [www.molex.com](http://www.molex.com) <a href="http://www.molex.com">http://www.molex.com.
    - ASSEMBLY CONFORMS TO SAE/USCAR-2 REV.4 WITH THE FOLLOWING EXCEPTIONS:
      - ENGAGEMENT FORCE TO MOVE CPA FROM PRE-LOCK TO FINAL LOCK POSITION WHEN UNMATED: 40N MIN.
      - DISENGAGEMENT FORCE TO MOVE CPA FROM FINAL LOCK TO PRE-LOCK POSITION: 5N MIN, 40N MAX.
      - TERMINAL INSERTION FORCE FOR WIRE DIAMETER ABOVE 2.5mm NOT EXCEEDING 2.69mm SHALL NOT EXCEED 40 NEWTONS.
  - b. PRODUCT SPECIFICATION SEE: PS-33471-000
    - CONTAINS: PRODUCT INTRODUCTION, PRODUCT SUMMARY, RATINGS (CURRENT, TEMPERATURE, SEALING, AND FLAMMABILITY), AND PRODUCT VALIDATION.
  - c. PACKAGING SPECIFICATION PER MOLEX DRAWING: PK-31300-903
  - d. PARTS MUST BE IN COMPLIANCE TO MOLEX CHEMICAL SUBSTANCES FOR PRODUCTS AND PACKAGING SPECIFICATION: ES-40000-5016
  - e. DATA MUST BE SUBMITTED UNDER THE MOLEX PART NUMBER TO IMDS (COMPANY ID#19295)
2. DESIGN - MATERIALS:
  - a. SEE BOM TABLE
3. DESIGN - GEOMETRY:
  - a. THIS IS A 100% CAD GENERATED PART. THE CAD MATHEMATICAL DATA IS THE MASTER FOR THIS PART. FOR DIMENSIONAL OR ANY INFORMATION NOT SHOWN ON THIS DRAWING, ANALYZE THE CAD MODEL.
  - b. GEOMETRIC DIMENSIONS AND TOLERANCES PER ASME Y14.5M - 1994
  - c. EDGES AND UNDIMENSIONED DETAILS PER ISO19715
  - d. CORNERS SHOWN AS SHARP TO BE R 0.2 MAX.
  - e. LETTERING SHALL BE 0.15 MAX RAISED IN 0.25 MAX RECESS PAD. THIS INCLUDES RECYCLING CODE, CAVITY ID, VENDOR IDENTIFICATION, AND CUSTOMER MATERIAL NUMBER.
  - f. VISUAL DEFECTS SHALL MEET COSMETIC STANDARD PS-45499-002 (Class B)
  - g. LASER MARKING: TBD

M7	ADD NEW P/N 33471-0542
M6	CHANGE THE STATUS TO SALEABLE FROM TOOLED BUT NOT VALIDATED FOR DK GREY AND ST GREY
M5	UPDATE 33471-0503 33471-0504 33471-0508 33471-0509 PRODUCTION STATUS
M4	UPDATED SHEET 3 NOMENCLATURE
M3	UPDATED PACKAGING DIMENSIONS
M2	UPDATED COMPONENT BOM
M1	UPDATED WIRE DIAMETER RANGE
M	UPDATED NOTE 1c
L	UPDATE PER PRODUCTION DESIGN
REV	DESCRIPTION

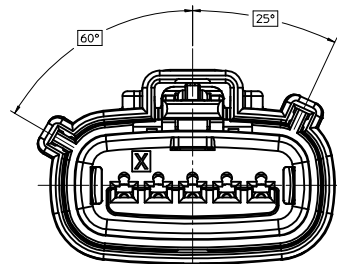
INSPECTION BALLOON NUMBER LOG	
PER DRAWING REVISION:	M3
LAST BALLOON NUMBER USED:	4
ADDED BALLOON NUMBERS:	1a, 2a
REMOVED BALLOON NUMBERS:	

<b>SEE REV. COLUMN</b> EEC NO: UAU2014-1363 DRAWN BY: CHYO APPROV: IKOSHY 2014/03/05 2014/03/05 M7	QUALITY SYMBOLS	4 PLACES ± 0 3 PLACES ± 0 2 PLACES ± 0.10 1 PLACE ± 0.2 0 PLACE ±	GENERAL TOLERANCES (UNLESS SPECIFIED): mm INCH ANGULAR ± 3 ° DRAFT WHERE APPLICABLE MUST REMAIN WITHIN DIMENSIONS	DIMENSION STYLE MM ONLY DRAWN BY: MDICK DATE: 2012/06/01 CHECKED BY: DATE APPROVED BY: DATE	DESIGN UNITS METRIC THIRD ANGLE PROJECTION	TITLE MX150 1X5 RECEPTACLE SEALED ASSEMBLY MAT SEAL molex	MATERIAL NO. SEE BOM	DOCUMENT NO. SD-33471-051	SHEET NO. 1 OF 5
	SIZE	THIS DRAWING CONTAINS INFORMATION THAT IS PROPRIETARY TO MOLEX INCORPORATED AND SHOULD NOT BE USED WITHOUT WRITTEN PERMISSION							
	SCALE	3:1							
	REV								

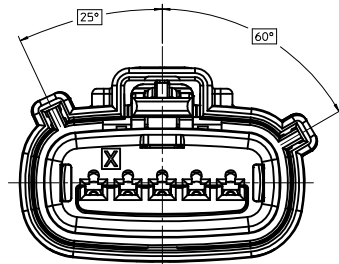
KEY CONFIGURATIONS



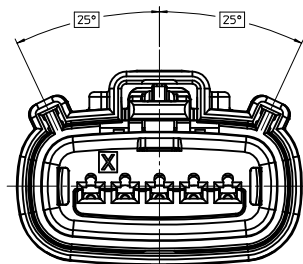
KEY A



KEY B



KEY C



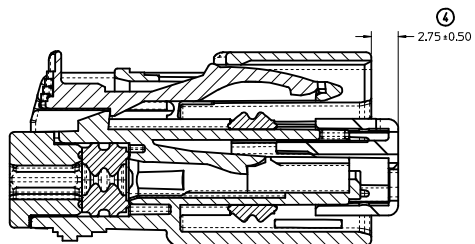
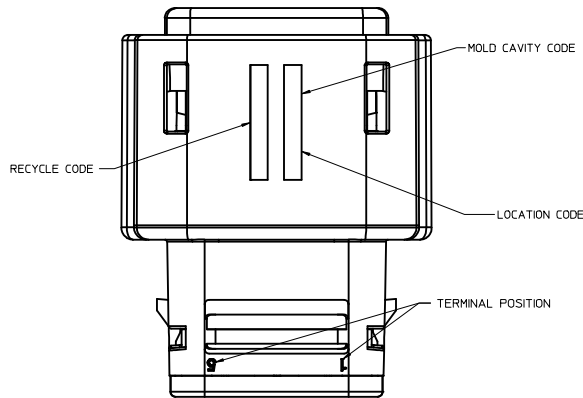
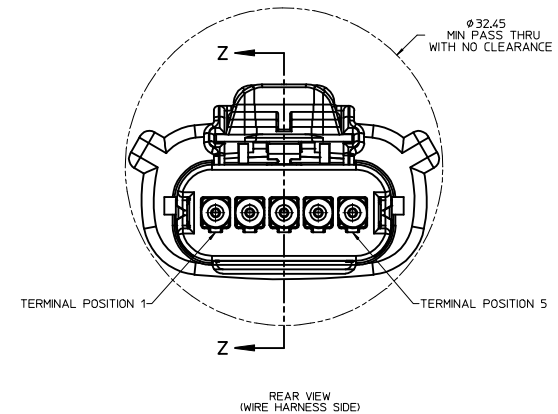
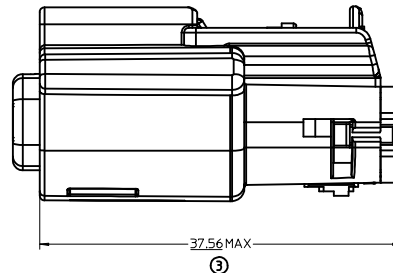
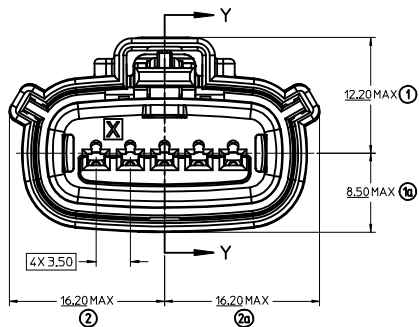
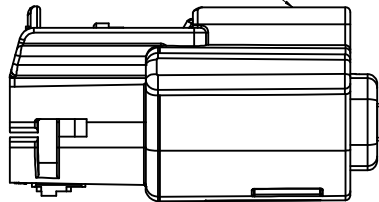
KEY D

SEE REV. COLUMN SEC NO: UAU2014-1363 DRAWN BY: CHYD APPR: IKOSHY M7	DESCRIPTION 2014/03/05	QUALITY SYMBOLS ▽=0 ▽=0 ▽=0		GENERAL TOLERANCES (UNLESS SPECIFIED) mm INCH 4 PLACES ±--- ±--- 3 PLACES ±--- ±--- 2 PLACES ±0.10 ±--- 1 PLACE ±0.2 ±--- 0 PLACE ± ±		DIMENSION STYLE MM ONLY		SCALE 4:1	DESIGN UNITS METRIC	THIRD ANGLE PROJECTION	
		DRAWN BY: MDICK DATE: 2012/06/01		CHECKED BY: DATE		APPROVED BY: DATE		MATERIAL NO. SEE BOM		DOCUMENT NO. SD-33471-051	
		DRAFT WHERE APPLICABLE MUST REMAIN WITHIN DIMENSIONS		ANGULAR ± 3 °		SIZE D		THIS DRAWING CONTAINS INFORMATION THAT IS PROPRIETARY TO MOLEX INCORPORATED AND SHOULD NOT BE USED WITHOUT WRITTEN PERMISSION		SHEET NO. 2 OF 5	
		TITLE MX150 1X5 RECEPTACLE SEALED ASSEMBLY MAT SEAL									

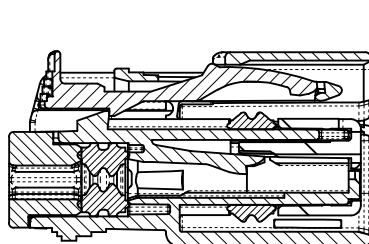


RECEPTACLE SEALED ASSEMBLY

LASER MARKING ON THIS SURFACE  
SEE NOTE 3g.



PRIMARY LOCK REINFORCEMENT (PLR) SHOWN  
IN PRE-STAGED POSITION  
SECTION Z-Z



PRIMARY LOCK REINFORCEMENT (PLR) SHOWN  
IN FINAL-LOCK POSITION  
SECTION Y-Y

SEE REV. COLUMN DEC NO: JAU2014-1363 DRAWN BY: 2014/03/03 CHKD: APPR: WJOSHY 2014/03/05 REV: M7	QUALITY SYMBOLS	GENERAL TOLERANCES (UNLESS SPECIFIED)	DIMENSION STYLE	SCALE	DESIGN UNITS	THIRD ANGLE PROJECTION	
	∇=0 ∇=0 ∇=0	4 PLACES ± mm 3 PLACES ± INCH 2 PLACES ± 0.10 1 PLACE ± 0.2 0 PLACE ±	MM ONLY	4:1	METRIC	DRAWN BY: MDICK DATE: 2012/06/01 CHECKED BY: DATE: APPROVED BY: DATE:	TITLE: MX150 1X5 RECEPTACLE SEALED ASSEMBLY MAT SEAL molex MATERIAL NO. SEE BOM DOCUMENT NO. SD-33471-051
	ANGULAR ± 3 ° DRAFT WHERE APPLICABLE MUST REMAIN WITHIN DIMENSIONS	SIZE D	MATERIAL NO. SEE BOM	SHEET NO. 3 OF 5	THIS DRAWING CONTAINS INFORMATION THAT IS PROPRIETARY TO MOLEX INCORPORATED AND SHOULD NOT BE USED WITHOUT WRITTEN PERMISSION		

KEY DESCRIPTION	PART NUMBER	A	B	C	D	GCO	GCP	CPA	1	2	3	4	5	STATUS	COMMENTS
KEY A W/ CPA, BLACK	33471-0541	A					GCP	CPA	1	2	3	4	5	SALEABLE	
KEY D W/ CPA, STONE GRAY	33471-0540				D	GCO		CPA						SALEABLE	
KEY C W/ CPA, DARK GRAY	33471-0539			C		GCO		CPA						SALEABLE	
KEY D, STONE GRAY	33471-0538				D	GCO								SALEABLE	
KEY C, DARK GRAY	33471-0537			C		GCO								SALEABLE	
KEY A W/ CPA, BLACK	33471-0536	A					GCP	CPA		2		4		SALEABLE	
VOID KEY	33471-0535														
KEY D, GREEN	33471-0534				D		GCP		1	2	3	4	5	OBSOLETE	
KEY C, BROWN	33471-0533			C			GCP		1	2	3	4	5	OBSOLETE	
KEY B, LIGHT GRAY	33471-0532		B				GCP		1	2	3	4	5	TOOLED BUT NOT VALIDATED	
KEY A, BLACK	33471-0531	A					GCP		1	2	3	4	5	SALEABLE	
VOID KEY	33471-0530														
KEY D W/ CPA, GREEN	33471-0529				D		GCP	CPA	1				5	OBSOLETE	
KEY C W/ CPA, BROWN	33471-0528			C			GCP	CPA	1				5	OBSOLETE	
KEY B W/ CPA, LIGHT GRAY	33471-0527		B				GCP	CPA	1				5	TOOLED BUT NOT VALIDATED	
KEY A W/ CPA, BLACK	33471-0526	A					GCP	CPA	1				5	SALEABLE	
VOID KEY	33471-0525														
KEY D, GREEN	33471-0524				D		GCP		1				5	OBSOLETE	
KEY C, BROWN	33471-0523			C			GCP		1				5	OBSOLETE	
KEY B, LIGHT GRAY	33471-0522		B				GCP		1				5	TOOLED BUT NOT VALIDATED	
KEY A, BLACK	33471-0521	A					GCP		1				5	SALEABLE	
VOID KEY	33471-0520														
KEY D W/ CPA, GREEN	33471-0519				D		GCP	CPA					5	OBSOLETE	
KEY C W/ CPA, BROWN	33471-0518			C			GCP	CPA					5	OBSOLETE	
KEY B W/ CPA, LIGHT GRAY	33471-0517		B				GCP	CPA					5	TOOLED BUT NOT VALIDATED	
KEY A W/ CPA, BLACK	33471-0516	A					GCP	CPA					5	SALEABLE	
VOID KEY	33471-0515														
KEY D, GREEN	33471-0514				D		GCP						5	OBSOLETE	
KEY C, BROWN	33471-0513			C			GCP						5	OBSOLETE	
KEY B, LIGHT GRAY	33471-0512		B				GCP						5	TOOLED BUT NOT VALIDATED	
KEY A, BLACK	33471-0511	A					GCP						5	SALEABLE	
VOID KEY	33471-0510														
KEY D W/ CPA, GREEN	33471-0509				D	GCO		CPA						NOT RECOMMENDED USE, PLEASE USE 33471-0540	
KEY C W/ CPA, BROWN	33471-0508			C		GCO		CPA						NOT RECOMMENDED USE, PLEASE USE 33471-0539	
KEY B W/ CPA, LIGHT GRAY	33471-0507		B			GCO		CPA						TOOLED BUT NOT VALIDATED	
KEY A W/ CPA, BLACK	33471-0506	A				GCO		CPA						SALEABLE	
VOID KEY	33471-0505														
KEY D, GREEN	33471-0504				D	GCO								NOT RECOMMENDED USE, PLEASE USE 33471-0538	
KEY C, BROWN	33471-0503			C		GCO								NOT RECOMMENDED USE, PLEASE USE 33471-0537	
KEY B, LIGHT GRAY	33471-0502		B			GCO								TOOLED BUT NOT VALIDATED	
KEY A, BLACK	33471-0501	A				GCO								SALEABLE	
ASSEMBLY DESCRIPTION	ASSEMBLY PART NUMBER	A	B	C	D	D	GCO	GCP	CPA	1	2	3	4	5	

DESCRIPTION	COLOR	MATERIAL
MAT SEAL	ROYAL BLUE	INHERENTLY LUBRICATED SILICONE
RING SEAL	ROYAL BLUE	INHERENTLY LUBRICATED SILICONE
PLR	NATURAL	SPS/NYLON GF20
CPA	RED	PBT GF30
GROMMET CAP (PLUGGED)	BLACK	SPS/NYLON GF20
GROMMET CAP (OPEN)	BLACK	SPS/NYLON GF20
HOUSING KEYING OPTION D	STONE GRAY	SPS/NYLON GF20
HOUSING KEYING OPTION C	DARK GRAY	SPS/NYLON GF20
HOUSING KEYING OPTION D	GREEN	SPS/NYLON GF20
HOUSING KEYING OPTION C	BROWN	SPS/NYLON GF20
HOUSING KEYING OPTION B	LIGHT GRAY	SPS/NYLON GF20
HOUSING KEYING OPTION A	BLACK	SPS/NYLON GF20

ABREVIATION	COMPONENT
A	HOUSING KEY A
B	HOUSING KEY B
C	HOUSING KEY C
D	HOUSING KEY D
GCO	GROMMET CAP (OPEN)
GCP	GROMMET CAP (PLUGGED)
M	MAT SEAL
R	RING SEAL
P	PLR, STANDARD
CPA	CPA

SEE REV. COLUMN 5 SEC NO: UAU2014-1363 DRAWN BY: CHKD APPR: IKOSHY M7	QUALITY SYMBOLS ∇=0 ∇=0 ∇=0	GENERAL TOLERANCES (UNLESS SPECIFIED): mm INCH 4 PLACES ±.010 ±.004 3 PLACES ±.015 ±.006 2 PLACES ±0.10 ±.008 1 PLACE ±0.2 ±.016 0 PLACE ±.0 ±.000	DIMENSION STYLE MM ONLY SCALE 2:1 DESIGN UNITS METRIC THIRD ANGLE PROJECTION	DRAWN BY DATE MDICK 2012/06/01 CHECKED BY DATE APPROVED BY DATE	TITLE MX150 1X5 RECEPTACLE SEALED ASSEMBLY MAT SEAL	MATERIAL NO. SEE BOM	DOCUMENT NO. SD-33471-051	SHEET NO. 4 OF 5
		DRAFT WHERE APPLICABLE MUST REMAIN WITHIN DIMENSIONS			THIS DRAWING CONTAINS INFORMATION THAT IS PROPRIETARY TO MOLEX INCORPORATED AND SHOULD NOT BE USED WITHOUT WRITTEN PERMISSION			

ASSEMBLY DESCRIPTION	ASSEMBLY PART NUMBER	A	B	C	D	C	D	A	GCO	GCP	CPA	SALEABLE					COMMENTS	
												1	2	3	4	5		
(M7) KEY A W/CPA, YELLOW	33471-0542																	

DESCRIPTION	COLOR	MATERIAL
BOM/APPLICABLE COMPONENTS TABLE		
MAT SEAL	ROYAL BLUE	INHERENTLY LUBRICATED SILICONE
RING SEAL	ROYAL BLUE	INHERENTLY LUBRICATED SILICONE
PLR	NATURAL	SPS/NYLON GF20
CPA	RED	PBT GF30
GROMMET CAP (PLUGGED)	BLACK	SPS/NYLON GF20
GROMMET CAP (OPEN)	BLACK	SPS/NYLON GF20
HOUSING KEYING OPTION A	YELLOW	SPS/NYLON GF20
HOUSING KEYING OPTION D	STONE GRAY	SPS/NYLON GF20
HOUSING KEYING OPTION C	DARK GRAY	SPS/NYLON GF20
HOUSING KEYING OPTION D	GREEN	SPS/NYLON GF20
HOUSING KEYING OPTION C	BROWN	SPS/NYLON GF20
HOUSING KEYING OPTION B	LIGHT GRAY	SPS/NYLON GF20
HOUSING KEYING OPTION A	BLACK	SPS/NYLON GF20

<b>ENTER DESCRIPTION</b> ELEC NO. UAU2014-1363 DRAWN BY: 2014/03/03 CHKD: 2014/03/05 APPR: WQSHY M7	QUALITY SYMBOLS ∇=0 ∇=0 ∇=0	GENERAL TOLERANCES (UNLESS SPECIFIED) 4 PLACES ± mm INCH 3 PLACES ± mm INCH 2 PLACES ± 0.10 1 PLACE ± 0.2 0 PLACE ±	DIMENSION STYLE <b>MM ONLY</b> DRAWN BY: DATE MDICK 2012/06/01 CHECKED BY: DATE APPROVED BY: DATE	SCALE <b>2:1</b> DESIGN UNITS <b>METRIC</b> THIRD ANGLE PROJECTION	TITLE <b>MX150 1X5 RECEPTACLE SEALED ASSEMBLY MAT SEAL</b> <b>molex</b>	MATERIAL NO. <b>SEE BOM</b>	DOCUMENT NO. <b>SD-33471-051</b>	SHEET NO. <b>5 OF 5</b>
	ANGULAR ± 3 ° DRAFT WHERE APPLICABLE MUST REMAIN WITHIN DIMENSIONS		THIS DRAWING CONTAINS INFORMATION THAT IS PROPRIETARY TO MOLEX INCORPORATED AND SHOULD NOT BE USED WITHOUT WRITTEN PERMISSION					