

# Spezifikation für Freigabe / specification for release

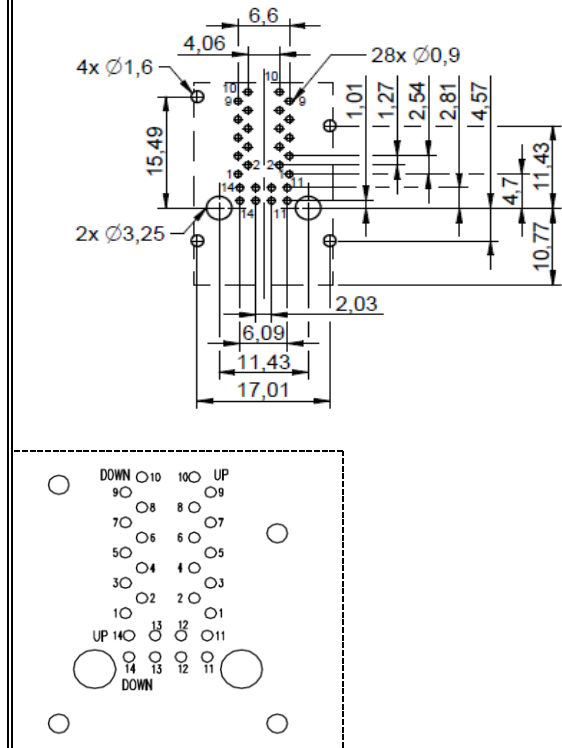
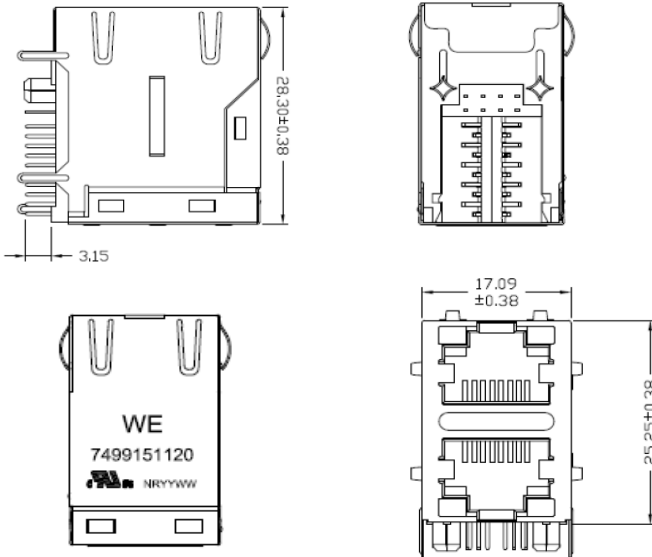
Kunde / customer :  
 Artikelnummer / part number : **7499151120**  
 Bezeichnung : LAN-Übertrager WE-RJ45LAN 10/100/1000 BaseT  
 description : LAN-Transformer WE-RJ45LAN 10/100/1000 BaseT



DATUM / DATE : 2018-06-27

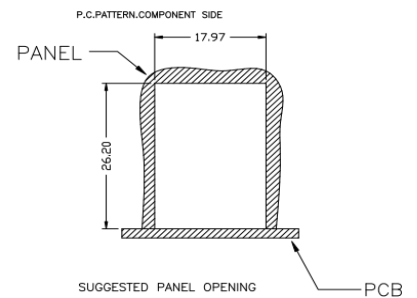
## A Mechanische Abmessungen / dimensions :

## B Lötpad / soldering spec. :



## C Elektrische Eigenschaften / electrical properties :

| Eigenschaften / properties           | Testbedingungen / test conditions |     | Wert / value | Einheit / unit | tol. |
|--------------------------------------|-----------------------------------|-----|--------------|----------------|------|
| Induktivität / Inductance            | 100kHz / 100mV @ 8mA DC-Bias      | OCL | 350          | µH             | min. |
| Übersetzungsverhältnis / Turns ratio | 100kHz / 100mV                    | TR  | 1 : 1        | Tx             | 3%   |
|                                      |                                   |     | 1 : 1        | Rx             |      |
| Insertion Loss                       | 1-100MHz                          | IL  | -1,1         | dB             | max. |
| Return Loss                          | 1-30MHz @ 100Ω                    | RL  | -18          | dB             | min. |
|                                      | 40-60MHz @ 100Ω                   |     | -14          |                |      |
|                                      | 60-80MHz @ 100Ω                   |     | -12          |                |      |
|                                      | 80-100MHz @ 100Ω                  |     | -10          |                |      |
| Crosstalk                            | 1-10MHz                           | CT  | -35          | dB             | min. |
|                                      | 15-60MHz                          |     | -26          |                |      |
|                                      | 60-100MHz                         |     | -24          |                |      |
| Common Mode Rejection                | 1-60MHz                           | CMR | -40          | dB             | min. |
|                                      | 60-100MHz                         |     | -30          |                |      |



## D Prüfgeräte / test equipment :

HP4395A

## E Testbedingungen / test conditions :

Luftfeuchtigkeit / humidity: 33%  
 Umgebungstemperatur / temperature: +25°C

Freigabe erteilt / general release:

Kunde / customer

Datum / date

Unterschrift / signature

Würth Elektronik

Geprüft / checked

Kontrolliert / approved

| Name | Änderung / modification | Datum / date |
|------|-------------------------|--------------|
| Mle  | Revision 09             | 2018-06-27   |
| Mle  | Revision 08             | 2018-03-02   |
| Mle  | Revision 07             | 2017-09-29   |
| Mle  | Revision 06             | 2016-04-27   |
| Mle  | Revision 05             | 2015-06-29   |
| JaB  | Revision 04             | 2015-01-26   |
| Mle  | Revision 03             | 2013-06-05   |
| Mle  | Revision 00             | 2012-06-18   |

**Würth Elektronik eiSos GmbH & Co.KG**

# Spezifikation für Freigabe / specification for release

Kunde / customer :  
 Artikelnummer / part number : **7499151120**  
 Bezeichnung : **LAN-Übertrager WE-RJ45LAN 10/100/1000 BaseT**  
 description : **LAN-Transformer WE-RJ45LAN 10/100/1000 BaseT**



DATUM / DATE : 2018-06-27

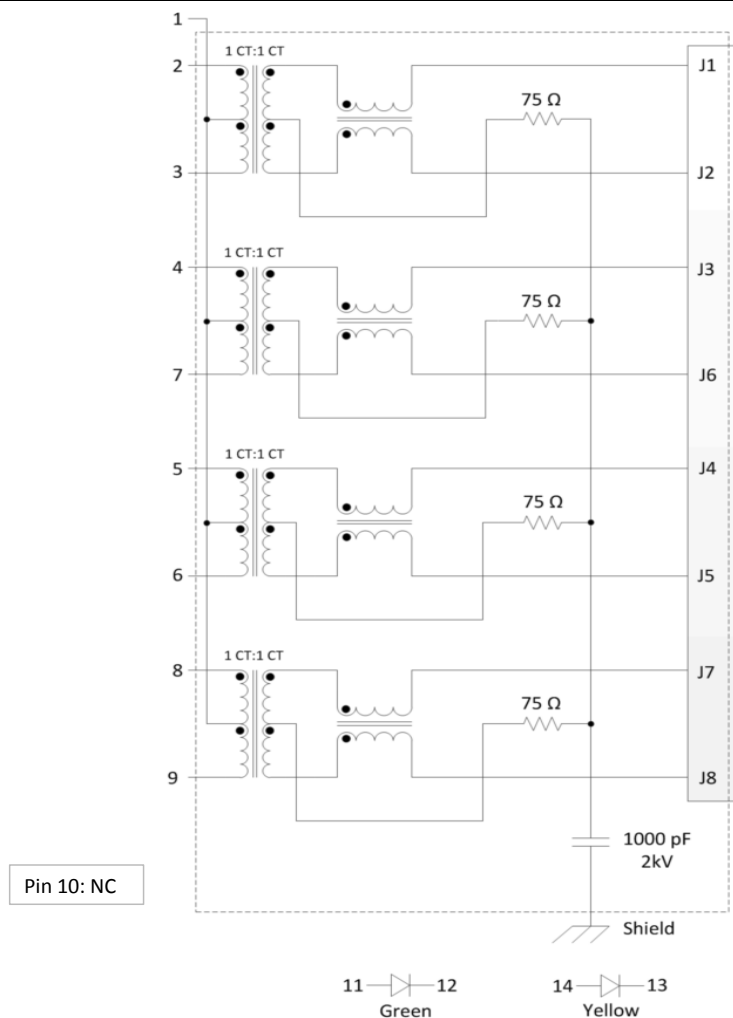
## F Werkstoffe & Zulassungen / material & approvals :

|                                   |   |
|-----------------------------------|---|
| Basismaterial / base material:    | Ferrit/ ferrite   |
| Draht / wire:                     | UEW/Y 155°C   |
| Kontaktmaterial/ contact plating: | 100% tin w. nickel underplating<br>30µ"gold plating on contact area |
| Gehäuse / housing                 | Thermoplastic UL-94V0   |
| LED                               | 1,8-2,8 V/ 20mA   |
| Shield                            | 50µ" nickel<br>over 0.01" cooper alloy                              |

## G Eigenschaften / general specifications :

Betriebstemp. / operating temperature: -40 °C to +85 °C  
 Hochspannungsprüfung / Hipot test: 2250VDC 1min.  
 Geeignet für 1000BaseT-Anwendungen gemäß IEEE 802.3ab /  
 Compliant with IEEE 802.3ab for 1000BaseT

## H Schaltbild / Schematics :



|                                     |                          |      |                         |              |
|-------------------------------------|--------------------------|------|-------------------------|--------------|
| Freigabe erteilt / general release: | <b>Kunde / customer</b>  |      |                         |              |
|                                     |                          | Mle  | Revision 09             | 2018-06-27   |
|                                     |                          | Mle  | Revision 08             | 2018-03-02   |
|                                     |                          | Mle  | Revision 07             | 2017-09-29   |
|                                     |                          | Mle  | Revision 06             | 2016-04-27   |
|                                     |                          | Mle  | Revision 05             | 2015-06-29   |
| Datum / date                        | Unterschrift / signature | JaB  | Revision 04             | 2015-01-26   |
|                                     | <b>Würth Elektronik</b>  | Mle  | Revision 03             | 2013-06-05   |
|                                     |                          | Mle  | Revision 00             | 2012-06-18   |
| Geprüft / checked                   | Kontrolliert / approved  | Name | Änderung / modification | Datum / date |

## Spezifikation für Freigabe / specification for release

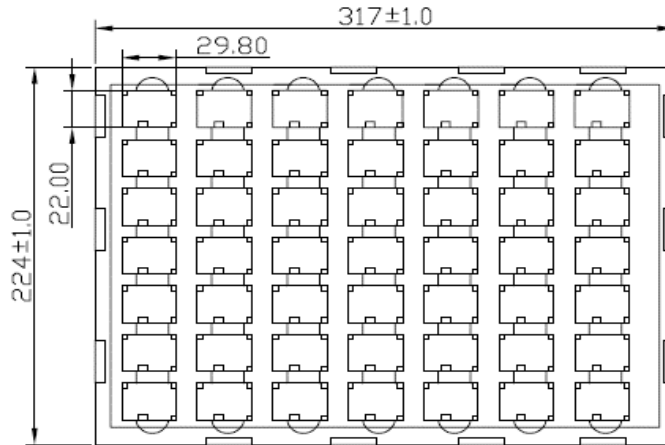
Kunde / customer :  
 Artikelnummer / part number : **7499151120**  
 Bezeichnung : **LAN-Übertrager WE-RJ45LAN 10/100/1000 BaseT**  
 description : **LAN-Transformer WE-RJ45LAN 10/100/1000 BaseT**



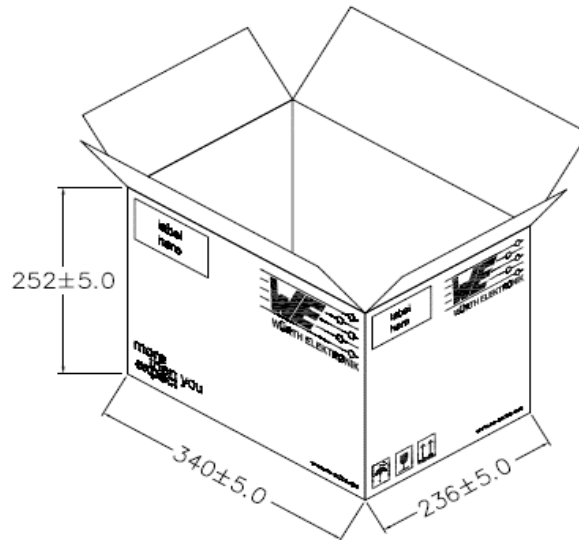
DATUM / DATE : 2018-06-27

### I Verpackungsspezifikation / package specification :

Tray



Carton



**Package Quantity:**

tray= 49 pcs  
 carton= 7 tray (343 pcs)

dimensions in mm

|                                     |                          |      |                         |              |
|-------------------------------------|--------------------------|------|-------------------------|--------------|
| Freigabe erteilt / general release: | <b>Kunde / customer</b>  |      |                         |              |
| Datum / date                        | Unterschrift / signature | Mle  | Revision 09             | 2018-06-27   |
| Geprüft / checked                   | <b>Würth Elektronik</b>  | Mle  | Revision 08             | 2018-03-02   |
|                                     | Kontrolliert / approved  | Mle  | Revision 07             | 2017-09-29   |
|                                     |                          | Mle  | Revision 06             | 2016-04-27   |
|                                     |                          | Mle  | Revision 05             | 2015-06-29   |
|                                     |                          | JaB  | Revision 04             | 2015-01-26   |
|                                     |                          | Mle  | Revision 03             | 2013-06-05   |
|                                     |                          | Mle  | Revision 00             | 2012-06-18   |
|                                     |                          | Name | Änderung / modification | Datum / date |

This electronic component has been designed and developed for usage in general electronic equipment. Before incorporating this component into any equipment where higher safety and reliability is especially required or if there is the possibility of direct damage or injury to human body, for example in the range of aerospace, aviation, nuclear control, submarine, transportation, (automotive control, train control, ship control), transportation signal, disaster prevention, medical, public information network etc, Würth Elektronik eiSos GmbH must be informed before the design-in stage. In addition, sufficient reliability evaluation checks for safety must be performed on every electronic component which is used in electrical circuits that require high safety and reliability functions or performance.

### Würth Elektronik eiSos GmbH & Co.KG

# Mouser Electronics

Authorized Distributor

Click to View Pricing, Inventory, Delivery & Lifecycle Information:

[Wurth Electronics:](#)

[7499151120](#)