

FCI CONFIDENTIAL

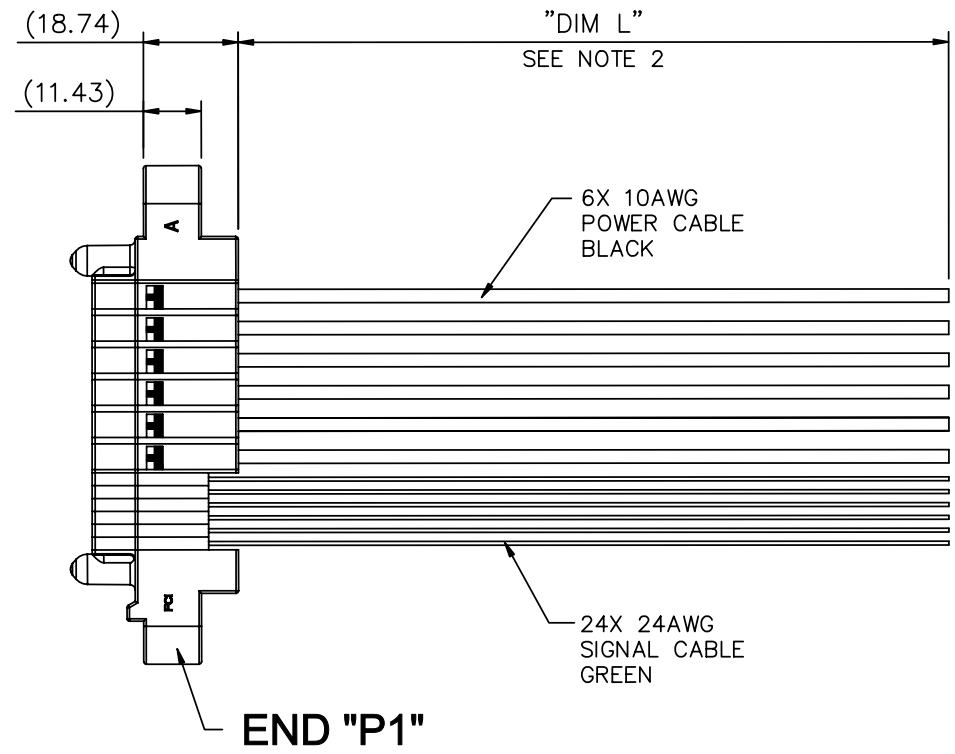
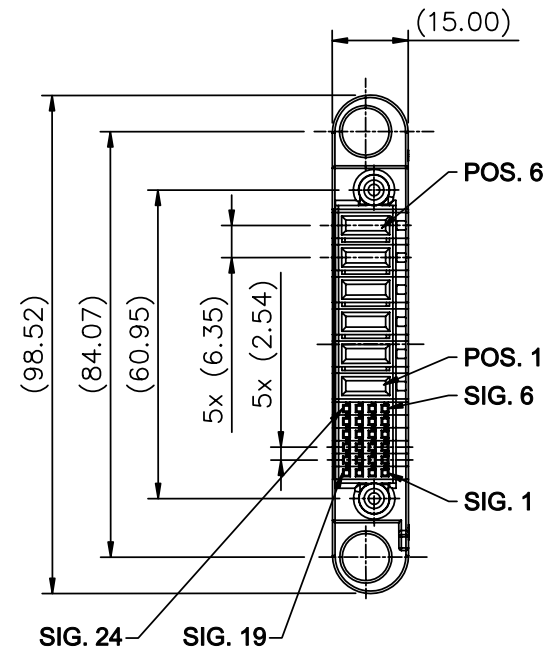
This document is the property of and embodies CONFIDENTIAL and PROPRIETARY information of FCI. No part of the information shown on this document may be used in any way or disclosed to others without the written consent of FCI.



FCIconnect.com

Copyright FCI

PRODUCT NUMBER SEE NOTE 3	"DIM L"
10080591-HAB0023LF	1000mm



**END "P1"**  
**24S+6P**  
**PWRBLADE CONNECTOR**

FROM "P1"	WIRE SIZE	TYPE	TO "P2"	COLOR
POS. 1	10 AWG	POWER		BLACK
~	10 AWG	POWER		BLACK
POS. 6	10 AWG	POWER		BLACK
SIG. 1	24 AWG	SIGNAL		GREEN
~	24 AWG	SIGNAL		GREEN
SIG. 24	24 AWG	SIGNAL		GREEN

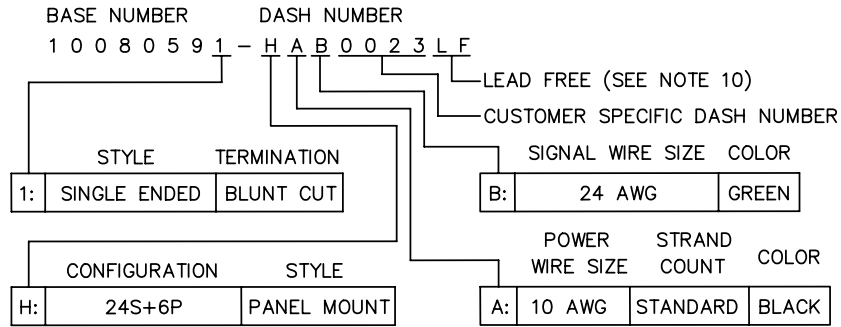
mat'l. code		surface ISO 1302		tolerance ISO 406 ISO 1101		projection		product family Cable Assembly	
ltr	ecn no.	dr	date	tolerances unless otherwise specified		MM		title	
A	NO8-0209	delhly	09/23/08	ANGULAR	LINEAR	scale 4		PWRBLADE PM 24S+6P C&A	
sheet index		revision sheet	A A	dr	delhly	Sep.23,08'	dwg no.		sheet 1 of 2
			1 2	engr	delhly	Sep.23,08'	10080591-HAB0023LF		size A3
				chr	delhly	Sep.23,08'	Type CUSTOMER		Drawing
				appd	Jackson	Sep.23,08'			

PRODUCT NUMBER SEE NOTE 3	"DIM L"
10080591-HAB0023LF	1000mm

NOTES:

- ① END "P1" MATES WITH FCI HEADER PART NUMBER: 51721-10002406AALF  
END "P2" MATES WITH FCI HEADER PART NUMBER: N/A
- ② UNLESS OTHERWISE SPECIFIED ASSEMBLIES LENGTH TOLERANCE=  
< = 1 METER: ±15.0mm  
> 1 METER TO 10 METER: ±2% OF "DIM L"  
> 10 METER: +0.00% / -4% OF "DIM L"

③ PART NUMBER DESCRIPTION:



- 4. UNLESS OTHERWISE SPECIFIED LABEL POSITION SHALL BE APPROXIMATELY 50mm FROM REAR OF CONNECTOR
- 5. UNLESS OTHERWISE SPECIFIED STANDARD LABEL SHALL BE FCI LABEL, LABEL DETAILS AS BELOW
  - MANUFACTURE CODE OR NAME
  - FCI P/N
  - REVISION
  - DATE CODE WW/YY FORMAT
  - COUNTRY ORIGIN

FONT SHALL BE CLEARLY VISABLE AND BLACK IN COLOR

- ⑥ ALL CABLE ASSEMBLIES SHALL BE TESTED 100% FOR CONTINUITY AS DEFINED IN WIRING LIST
- 7. UNLESS OTHERWISE SPECIFIED ALL CABLE ASSEMBLIES SHALL BE 100% HI-POT TESTED BY APPLYING 300V DC FOR MINIMUM FOR 10ms, UNLESS ACTIVE COMPONENTS ARE USED IN THIS ASSEMBLY
- 8. OTHER TESTING PERFORMED AS REQUIRED BY PRODUCT SPECIFICATION:GS-XX-XXX
- ⑨ THIS DIMENSION IS A FINISHED PRODUCT LENGTH
- ⑩ LEAD FREE PRODUCTS MUST MEET EUROPEAN UNION DIRECTIVES AND OTHER COUNTRY REGULATIONS AS DESCRIBED IN GS-22-008  
LEAD FREE SOLDER TAIL PLATING 2.00um(80u") MIN. MATTE TIN OVER 1.27um(50u") MIN. NICKEL UNDERPLATE.  
PACKAGING OF LEAD FREE PRODUCTS MEETS LABELING AND PACKAGING SPECIFICATION GS-14-920

- ⑪ ASSEMBLY SHOWN IS FOR REFERENCE ONLY AND MAY NOT SHOW ALL PART DETAIL. REFERENCE CONNECTORE ASSEMBLY DRAWING FOR COMPLETE DETAILS
- 12. GLOBAL STANDARDS FOR CABLE PACKAGING:GS-14-1093
- 13. TUBING TO BE ADDED TO ALL 24 AWG SIGNAL CABLE, TUBING NOT SHOWN. CABLES SHALL BE TIE WRAPPED
- 14. A "Δ" SYMBOL WILL BE NEXT TO ANY DIMENSION, VIEW, OR NOTE WHICH HAS BEEN MODIFIED WITH THE CURRENT DRAWING REVISION. THE CURRENT REVISION WILL BE SHOWN IN THE SYMBOL
- 15. CABLE: UL APPROVAL, TEMPERATURE RATING 105°C. 600V MIN  
HOUSING: HIGH TEMP, THERMOPLASTIC, UL 94V-0 GLASS FILLED  
COLOR: BLACK  
POWER CONTACTS: COPPER ALLOY  
SIGNAL CONTACTS: COPPER ALLOY

mat'l. code		surface ISO 1302		tolerance ISO 406 ISO 1101		projection		product family Cable Assembly	
ltr	ecn no.	dr	date	tolerances unless otherwise specified		title			
A	N08-0209	delhly	09/23/08	ANGULAR	LINEAR	MM		PWRBLADE PM 24S+6P C&A	
						scale 4			
		dr	delhly	Sep.23,08				dwg no.      sheet of 2      size	
		engr	delhly	Sep.23,08				10080591-HAB0023LF      A3	
		chr	delhly	Sep.23,08					
		appd	Jackson	Sep.23,08					
sheet index	revision sheet	A	A						
		1	2						

# Mouser Electronics

Authorized Distributor

Click to View Pricing, Inventory, Delivery & Lifecycle Information:

[FCI / Amphenol:](#)

[10080591-HAB0023LF](#)