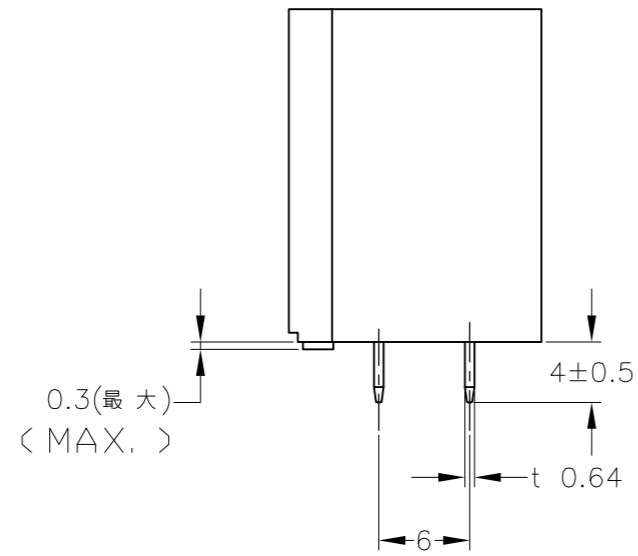
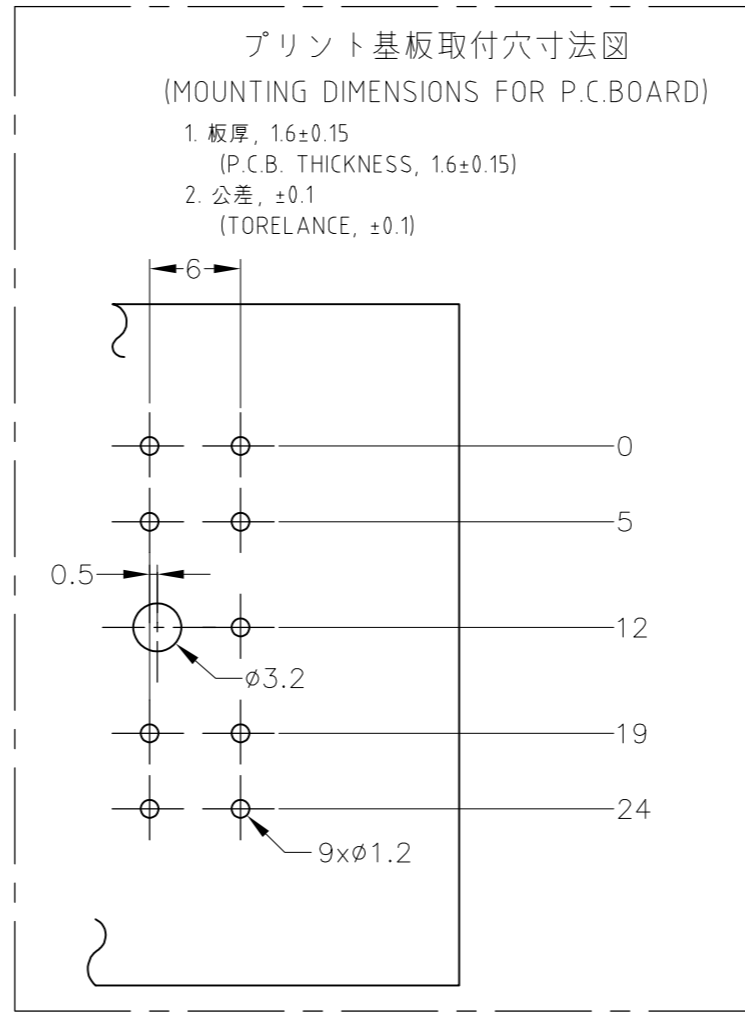
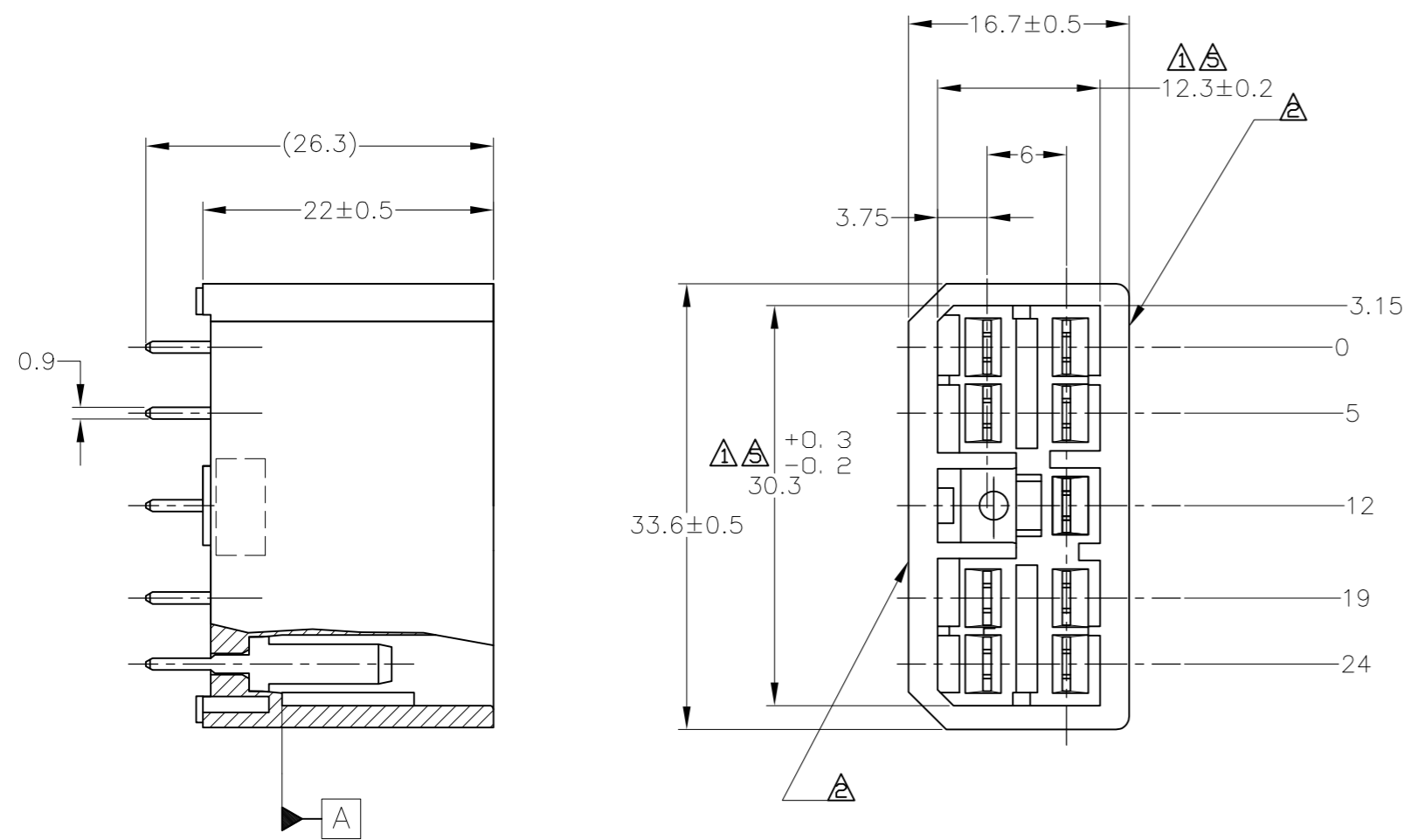


REVISIONS					
P	LTR	DESCRIPTION	DATE	DWN	APVD
	F5	OBSOLETE 2--1	ECR-16-003004	01APR2016	KF RK



- 注記:
- △ 相手ハウジングと所定の機能を満たしてかみ合えること。
  - △ フードの反りは0.2以内。
  - 3 推奨取付けねじ: JIS B 1115 又は、1122 タッピングねじ  
なべ1種、呼び径φ3を使用し締め付け後半田付けする。  
(締め付けトルク: 0.4N-m 以下)
  - 4 適用製品規格: 108-5093
  - △ A 面より2mmの範囲で測定のこと。
  - 6 相手ハウジングとのかみ合力は、29.4N以下  
但し、リセブタクルコンタクトは含まない。

- NOTES:
- △ IN COUPLING WITH THE PLUG HOUSING MATING SATISFIES FUNCTION
  - △ WARPAGE 0.2 MAX.
  - 3 RECOMMENDED MOUNTING SCREW; 3mmDIA, PAN HEAD, CLASS 1 TAPPING SCREW SPECIFIED IN JIS B1115, B1122 < TORQUE; 0.4N-m MAX. >
  - 4 SPEC. No. 108-5093
  - △ TO BE MEASURED WITHIN 2mm FROM A
  - 6 IN COUPLING WITH THE PLUG HOUSING MATING FORCE 29.4N MAX. WITHOUT REC CONTACTS.

SEE CUSTOMER DRAWING 6-172035-1				6-172035-1
SELECTIVE-TIN (MATTE)	SELECTIVE GOLD (0.38μm MIN.)	NATURAL		2-5172035-1
SELECTIVE-TIN (MATTE)	SELECTIVE GOLD (0.76μm MIN.)	NATURAL		1-5172035-1
	PRE-TIN	NATURAL		5-172035-4
	PRE-TIN	NATURAL		4-172035-1
OBSOLETE	TIN-LEAD	SELECTIVE GOLD (0.38μm MIN.)	GREEN	2-172035-4
OBSOLETE	TIN-LEAD	SELECTIVE GOLD (0.38μm MIN.)	NATURAL	2-172035-1
OBSOLETE	TIN-LEAD	SELECTIVE GOLD (0.76μm MIN.)	GREEN	1-172035-4
	TIN-LEAD	SELECTIVE GOLD (0.76μm MIN.)	NATURAL	1-172035-1
	PRE-TIN		YELLOW	172035-7
OBSOLETE			GRAY	172035-6
OBSOLETE			BLUE	172035-5
OBSOLETE			GREEN	172035-4
			BROWN	172035-3
			BLACK	172035-2
	PRE-TIN		NATURAL	172035-1
SOLDERING SIDE 半田付け部		CONTACT SIDE 接触部側		
CONTACT FINISH コンタクト仕上				
			COLOR 色	PART NUMBER 製品型番

TOLERANCE UNLESS OTHERWISE SPECIFIED: 一般公差

0 < x ≤ 10	: ±0.2
10 < x ≤ 30	: ±0.25
30 < x ≤ 100	: ±0.3
ANGLE	: ±3°
角度	

THIS DRAWING IS A CONTROLLED DOCUMENT.

DWN	T.SHINOHARA	31AUG07
CHK	K.BETSUI	31AUG07
APVD	K.BETSUI	31AUG07
PRODUCT SPEC	製品規格	
APPLICATION SPEC	取付適用規格	
WEIGHT	0	
CUSTOMER DRAWING	SCALE 2:1	SHEET 1 OF 1

MATERIAL: HSG: 66 NYLON CONTACT: BRASS

FINISH: 仕上

SEE TABLE

TE Connectivity

9P VERTICAL TYPE CAP HOUSING ASS'Y  
MULTI-INTERLOCK CONN. (WIRE TO P.C.B.)

SIZE: A2 CAGE CODE: 00779 DRAWING NO: 172035

RESTRICTED TO: -

# Mouser Electronics

Authorized Distributor

Click to View Pricing, Inventory, Delivery & Lifecycle Information:

[TE Connectivity:](#)

[172035-1](#)