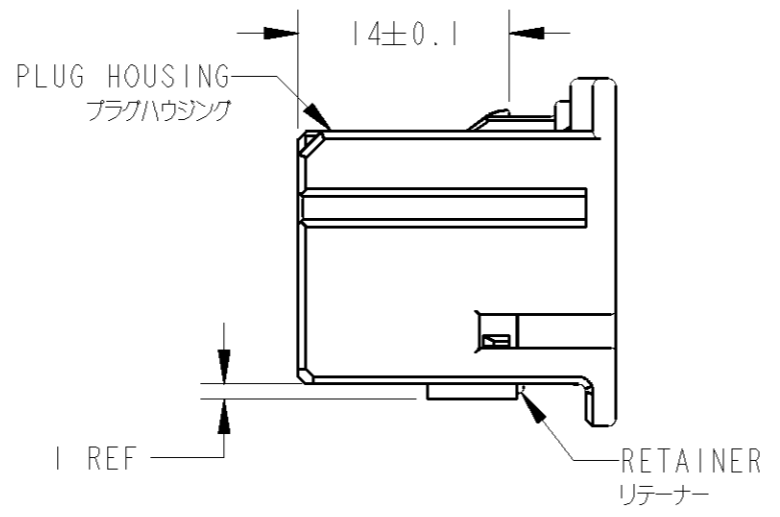
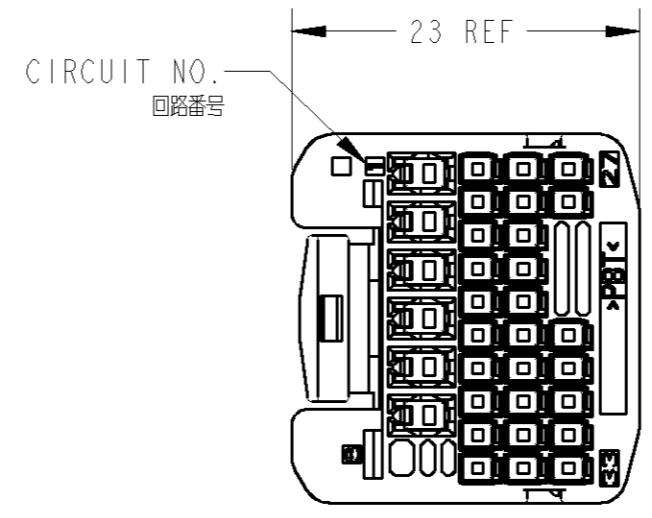
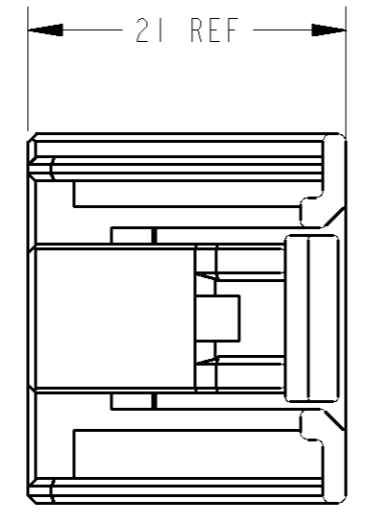
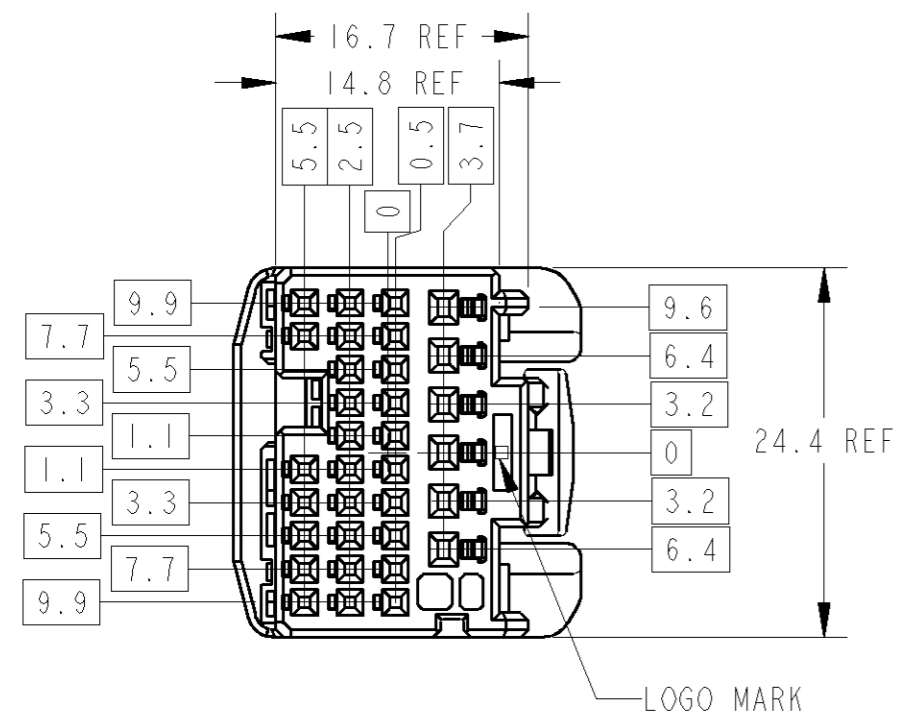


THIS DRAWING IS UNPUBLISHED. RELEASED FOR PUBLICATION 20
 © COPYRIGHT 20 BY TYCO ELECTRONICS CORPORATION. ALL RIGHTS RESERVED.

LOC	R1ST	REVISIONS						
		P	LTR	DESCRIPTION	ECN	DATE	DWN	APVD
J	X		0	RELEASED	FJA0-0048-03	24FEB03	A.Y	K.A
			A	REVISED	ECR-10-007503	27APR10	TS	KB



1. RETAINER SHOULD BE SENT TO THE PRE-ASSEMBLY POSITION WITHIN THE PLUG HOUSING WHEN SHIPPED TO THE CUSTOMER
2. THE PRE-RETENTION LATCH OF THE RETAINER MUST BE OUT SIDE OF PLUG HOUSING WHEN PRE-ASSEMBLY
3. RETAINER RETENTION FORCE FROM HOUSING; 30N MIN
4. INSTRUCTION SHEET NO. 411-5932.
5. PART NUMBER OF CAP HOUSING TO BE MATED: SEE TABLE-1.
6. APPLIED TERMINALS SEE TABLE-2.

1. プラグハウジングにリテーナを仮係止して出荷される
2. 仮係止時リテーナーの突起がハウジングの外側にでていること
3. リテーナーの仮係止保持力は: 30N MIN
4. 取扱説明書NO. 411-5932
5. 嵌合相手型番: TABLE-1参照
6. 適用端子: TABLE-2参照

TABLE-2

SIGNAL		TIN	1123343-1	AVSS/CAVS/CAVUS/AVSSH-f 0.22~0.5mm ²
POWER		SELECTIVE GOLD	1123343-2	
025	TIN	SELECTIVE GOLD	316837-2	AVSS/CAVS/CAVUS 0.3~0.85mm ² AVS 0.3~0.5mm ²
		SELECTIVE GOLD	316836-1	
	TIN	TIN	316838-1	AVS 0.5mm ² AVSS/CAVS 0.85~1.25mm ² CAVUS 1.25mm ²

TABLE-1

POS 極数	CAP ASSEMBLY PART NO キャップ 型番
200	1473649

PAPER BOX ダンボール箱	PLASTIC BAG ビニール袋	NATURAL	1473651-1
OUTER 外装	INNER 内装	COLOR	PART NUMBER
PACKING STYLE 梱包形態			

THIS DRAWING IS A CONTROLLED DOCUMENT FOR TYCO ELECTRONICS CORPORATION
 IT IS SUBJECT TO CHANGE AND THE CONTROLLING ENGINEERING ORGANIZATION
 SHOULD BE CONTACTED FOR THE LATEST REVISION.

DIMENSIONS: 単位: ㎜	TOLERANCES UNLESS OTHERWISE SPECIFIED:
	一般公差 ±0.3
	0-PLC ±
	1-PLC ±0.1
	2-PLC ±0.01
	3-PLC ±0.001
4-PLC ±0.0001	
ANGLES ±3'00"	
MATERIAL 材料 PBT	FINISH 仕上 SEE TABLE

DWN	18FEB03
A. YAMAGUCHI	
CHK	18FEB03
Y. KAWAHARA	
APVD	24FEB03
K. ASAI	
PRODUCT SPEC	108-5674
APPLICATION SPEC	114-5217, 5250
WEIGHT	5.7
CUSTOMER DRAWING	

Tyco Electronics Corporation Kawasaki, Japan	
025/040 EFI ECU CONNECTOR PLUG HOUSING ASSY 33POSITION	
SIZE	A3
CAGE CODE	00779
DRAWING NO	1473651
RESTRICTED TO	-
SCALE	2:1
SHEET	1 OF 1
REV	A

Mouser Electronics

Authorized Distributor

Click to View Pricing, Inventory, Delivery & Lifecycle Information:

[TE Connectivity:](#)

[1473651-1](#)