

NOTE:

REFERENCE STANDARD IEC60169-11

I. ELECTRICAL PERFORMANCE -

NOMINAL IMPEDANCE : 50±2 Ω
 FREQUENCY RANGE : DC-3.0 GHz
 VSWR : 1.15 MAX.
 INSERTION LOSS : 0.050 dB MAX. (@ 3.0 GHz)
 PIM : -160 dBc MAX. (2x43dBm)
 INSULATION RESISTANCE : 5000 MΩ MIN.
 D.W.V : 2000 VRMS
 CONDUCTOR RESISTANCE : OUTER CONDUCTOR 0.5 mΩ MAX.
 INNER CONDUCTOR 1.0 mΩ MAX.

II. MECHANICAL PERFORMANCE

RETENTION : 4 N MIN.
 MATINGCYCLES : 500 MIN.
 TENSILE FORCE (CABLE-CONNECTOR) : 150 N
 TORSION (CABLE-CONNECTOR) : 0.30 N-m

III. MATERIAL AND PLATING -

INNER CONDUCTOR : SPRING COPPER ALLOY, PLATING = Ag (5µm MIN.)
 OUTER CONDUCTOR : BRASS, PLATING = COPPER-TIN-ZINC (2µm MIN.)
 INSULATOR : PTFE

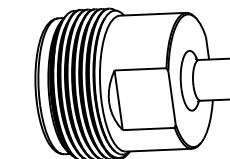
IV. ENVIRONMENTAL -

TEMP. RANGE : -40°C TO +85°C
 WEATHER STANDARD : IEC 60068 40/ 85/ 21
 THERMAL SHOCK : IEC 60068-2-14-NA
 VIBRATION : IEC 60068-2-6-FC
 SHOCK : IEC 60068-2-27
 WATERPROOFING STANDARD : IP 67

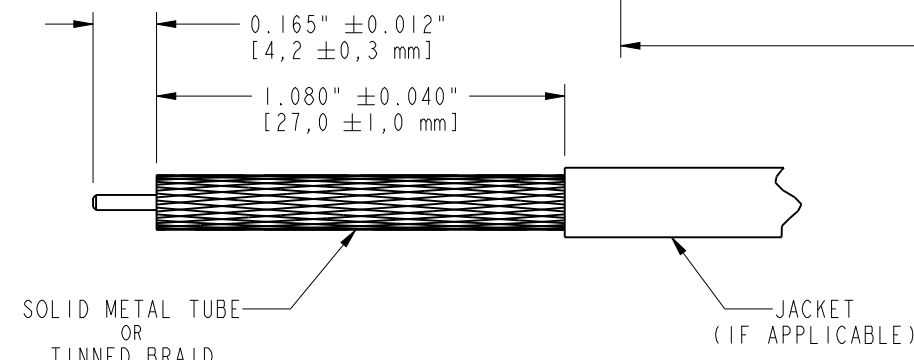
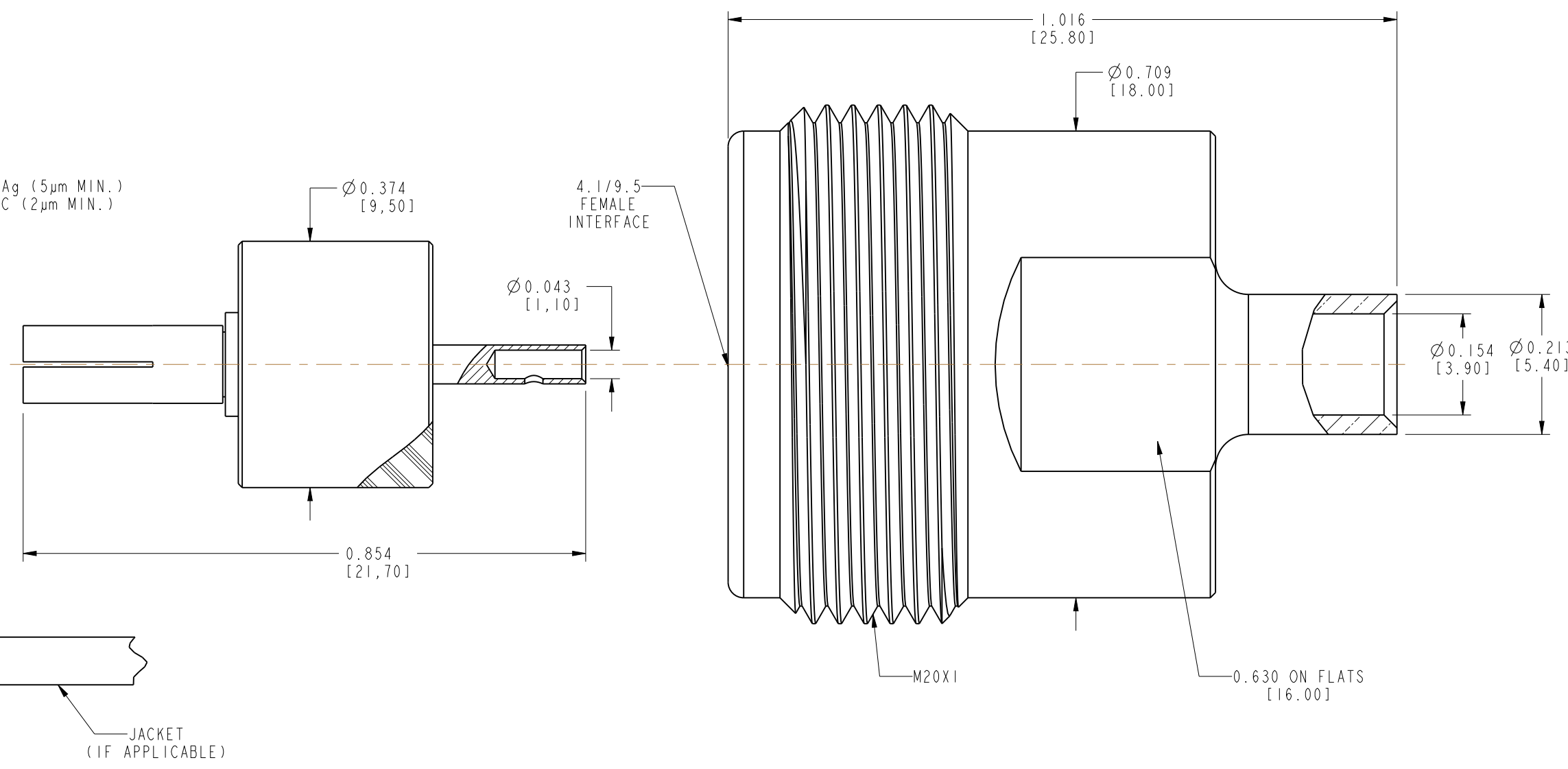
V. USE ASSEMBLY INSTRUCTION: 349-50882

VI. ROHS COMPLIANT

| | | | | | |
|-------------------|-----|---|-----------|------|--------|
| 332106 | | REVISIONS | | | |
| DRAWING NO. | REV | DESCRIPTION | DATE | ECO | APPR |
| THIRD ANGLE PROJ. | A | RELEASE TO MFG. | 14-Jan-14 | -- | AAP/BG |
| | B | INSULATOR AND CONTACT SUB ASSEMBLY SHOWN AS SEPARATE VIEW | 24-Apr-14 | 2725 | RAK/BG |



SCALE 1.000



RECOMMENDED CABLE STRIPPING DIMENSIONS

CUSTOMER OUTLINE DRAWING

ALL OTHER SHEETS ARE FOR INTERNAL USE ONLY

| | | | | | |
|---|-----------|----------------|-----------|---|---------------------------|
| UNLESS OTHERWISE SPECIFIED, DIMENSIONS ARE IN INCHES AND TOLERANCES ARE: 2 PLACE DECIMAL ±.015 (0,381 mm) 3 PLACE DECIMAL ±.005 (0,127 mm) ANGLES ± 1° | MATERIAL | DRAWN | DATE | TITLE | Amphenol Connex |
| | SEE NOTES | A ARUN PRABU | 12-Sep-13 | 4.1/9.5 FEMALE FOR RG-402 TYPE CABLE | |
| NOTICE - These drawings, specifications, or other data (1) are, and remain the property of Amphenol Corp. (2) must be returned upon request; and (3) are confidential and not to be disclosed to any person other than those to whom they are given by Amphenol Corp. The furnishing of these drawings, specifications, or other data by Amphenol Corp., or to any other person to anyone for any purpose is not to be regarded by implication or otherwise in any manner licensing, granting rights or permitting such holder or any other person to manufacture, use or sell any product, process or design, patented or otherwise, that may in any way be related to or disclosed by said drawings, specifications, or other data. | REFERENCE | ENGINEER | DATE | | |
| | | A ARUN PRABU | 12-Sep-13 | | |
| | | APPROVED | DATE | | |
| | | B.C. GLEISSNER | 14-Jan-14 | | SCALE: 5.0:1 SHEET 1 OF 1 |
| | | CAD FILE | | DWG SIZE | DRAWING NO. 332106 |
| | | | | B | REV B |

Mouser Electronics

Authorized Distributor

Click to View Pricing, Inventory, Delivery & Lifecycle Information:

[Amphenol:](#)

[332106](#)