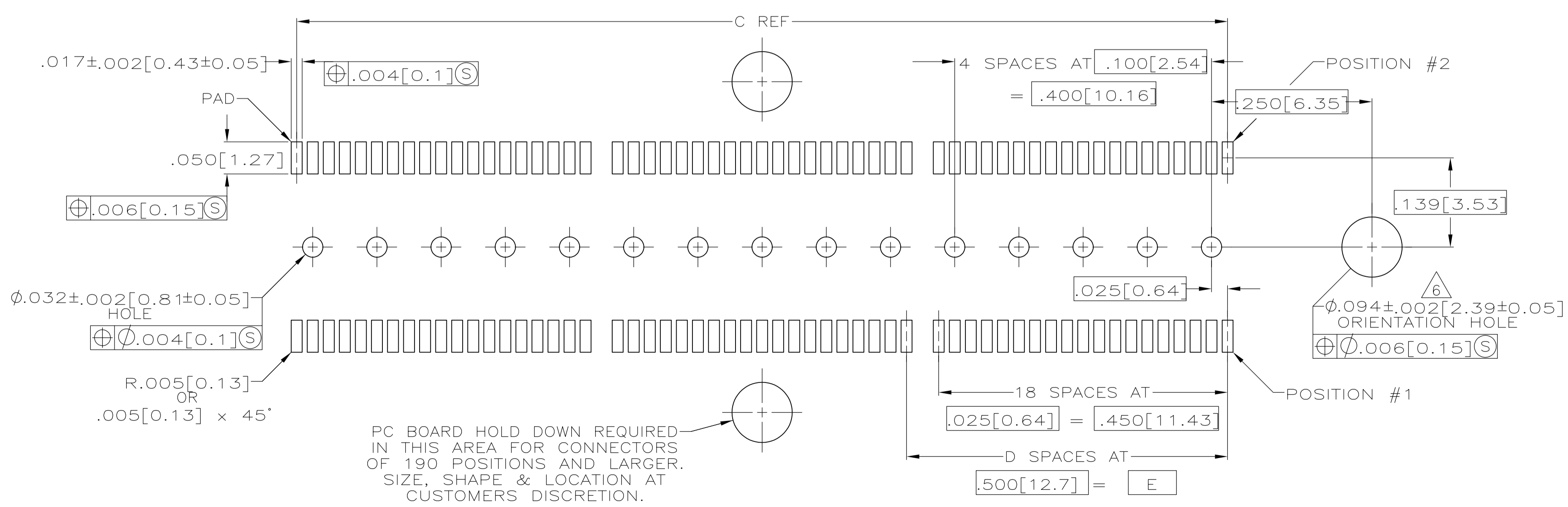
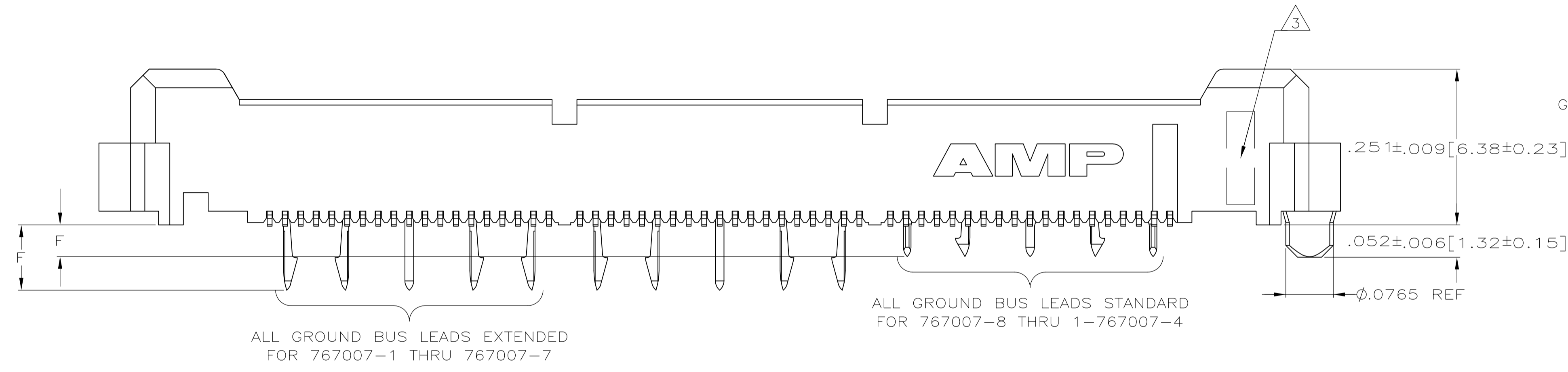


- $\triangle 1$ HOUSING: LIQUID CRYSTAL POLYMER, COLOR BLACK.
CONTACTS: HIGH RELIABILITY COPPER ALLOY.
GROUND BUSES: BRASS, UNS C26000
- $\triangle 2$ CONTACTS & GROUND BUSES: NICKEL UNDERPLATE ALL OVER,
MATING SURFACE PLATED TO MEET LEVEL 1 PERFORMANCE
REQUIREMENTS OF TE CONNECTIVITY PRODUCT SPECIFICATION
108-1422, SOLDER TAILS PLATED TIN-LEAD.
- $\triangle 3$ DATE CODE MARKED IN AREA INDICATED ON SAME SIDE AS POSTION #1.
- $\triangle 4$ ON GROUND BUS WITH 5 TAILS PER EACH MODULE.
- $\triangle 5$ TOLERANCE NON-ACCUMULATIVE.
- $\triangle 6$ FOR SLIP-FIR APPLICATIONS, ORIENTATION HOLE TO BE $\phi .079 \pm .001 [2.00 \pm 0.03]$.



BUS LEADS TYPE	F	E	D	C	B	A	NO OF POS	PART NUMBER
STANDARD	.053 [1.35]	3.000 [76.2]	6	3.450 [87.63]	3.898 [99]	4.000 [101.6]	266	1-767007-4
STANDARD	.053 [1.35]	2.500 [63.5]	5	2.950 [74.93]	3.398 [86.31]	3.500 [88.9]	228	1-767007-3
STANDARD	.053 [1.35]	2.000 [50.8]	4	2.450 [62.23]	2.898 [73.61]	3.000 [76.2]	190	1-767007-2
STANDARD	.053 [1.35]	1.500 [38.1]	3	1.950 [49.53]	2.398 [60.91]	2.500 [63.5]	152	1-767007-1
STANDARD	.053 [1.35]	1.000 [25.4]	2	1.450 [36.83]	1.898 [48.21]	2.000 [50.8]	114	1-767007-0
STANDARD	.053 [1.35]	.500 [12.7]	1	.950 [24.13]	1.398 [35.51]	1.500 [38.1]	76	767007-9
STANDARD	.053 [1.35]	.000 [0]	0	.450 [11.43]	.898 [22.81]	1.000 [25.4]	38	767007-8
OBSOLETE EXTENDED	.107 [2.72]	3.000 [76.2]	6	3.450 [87.63]	3.898 [99]	4.000 [101.6]	266	767007-7
OBSOLETE EXTENDED	.107 [2.72]	2.500 [63.5]	5	2.950 [74.93]	3.398 [86.31]	3.500 [88.9]	228	767007-6
OBSOLETE EXTENDED	.107 [2.72]	2.000 [50.8]	4	2.450 [62.23]	2.898 [73.61]	3.000 [76.2]	190	767007-5
OBSOLETE EXTENDED	.107 [2.72]	1.500 [38.1]	3	1.950 [49.53]	2.398 [60.91]	2.500 [63.5]	152	767007-4
OBSOLETE EXTENDED	.107 [2.72]	1.000 [25.4]	2	1.450 [36.83]	1.898 [48.21]	2.000 [50.8]	114	767007-3
OBSOLETE EXTENDED	.107 [2.72]	.500 [12.7]	1	.950 [24.13]	1.398 [35.51]	1.500 [38.1]	76	767007-2
OBSOLETE EXTENDED	.107 [2.72]	.000 [0]	0	.450 [11.43]	.898 [22.81]	1.000 [25.4]	38	767007-1

RECOMMENDED PC BOARD LAYOUT (VIEWED FROM CONNECTOR SIDE)

THIS DRAWING IS A CONTROLLED DOCUMENT.

DIMENSIONS: mm [INCHES]

TOLERANCES UNLESS OTHERWISE SPECIFIED:

0 PLC	±	-
1 PLC	±	-
2 PLC	±	-
3 PLC	±	.005(0.13)
4 PLC	±	-
ANGLES	±	-

MATERIAL $\triangle 1$ FINISH $\triangle 2$

APPROVED: J. GERACE 8-30-96
CHK: P. MATAR 8-30-96
APVD: A. MONK 8-30-96

NAME: PLUG ASSEMBLY, .260[6.6] VERTICAL, .025[0.64]CL, GULL WING LEADS, MICTOR

PRODUCT SPEC: 108-1422

APPLICATION SPEC: 114-11004

SIZE: A1 CAGE CODE: 00779 DRAWING NO: 767007

WEIGHT: -

CUSTOMER DRAWING SCALE: 8:1 SHEET: 1 OF 1 REV: AB2

Mouser Electronics

Authorized Distributor

Click to View Pricing, Inventory, Delivery & Lifecycle Information:

[TE Connectivity:](#)

[1-767007-0](#)