

# 40x40x10 mm

San Ace 40 9P type   



## General Specifications

- Material ..... Frame: Plastic (Flammability: UL 94V-0), Impeller: Plastic (Flammability: UL 94V-1)
- Expected life ..... See the table below. (L10 life: 90% survival rate for continuous operation in free air at 60°C, rated voltage)
- Motor protection function ..... Locked rotor burnout protection, Reverse polarity protection  
For details, please refer to p. 529.
- Dielectric strength ..... 50/60 Hz, 500 VAC, for 1 minute (between lead wire conductors and frame)
- Insulation resistance ..... 10 MΩ or more with a 500 VDC megger (between lead wire conductors and frame)
- Sound pressure level (SPL) ..... At 1 m away from the air inlet
- Storage temperature ..... -30 to +70°C (Non-condensing)
- Lead wire ..... ⊕Red ⊖Black or Blue (Sensor) Yellow
- Mass ..... 19 g

## Specifications

The models listed below **have ribs and pulse sensors.**

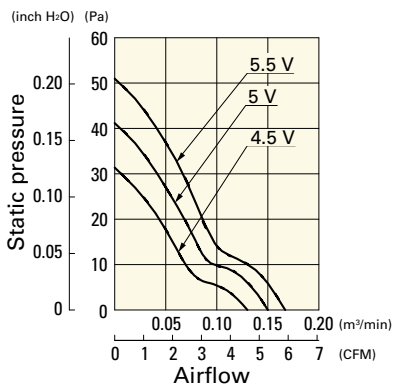
Model no.	Rated voltage [V]	Operating voltage range [V]	Rated current [A]	Rated input [W]	Rated speed [min <sup>-1</sup> ]	Max. airflow [m <sup>3</sup> /min] [CFM]	Max. static pressure [Pa] [inchH <sub>2</sub> O]	SPL [dB (A)]	Operating temperature [°C]	Expected life [h]
<b>109P0405H901</b>	5	4.5 to 5.5	0.16	0.8	6200	0.15 5.3	41.2 0.165	25	-10 to +60	40000/60°C
<b>109P0405M901</b>			0.11	0.55	5000	0.12 4.2	27 0.108	21		
<b>109P0412H901</b>	12	7 to 13.8	0.07	0.84	6200	0.15 5.3	41.2 0.165	25		
<b>109P0412M901</b>			0.06	0.72	5000	0.12 4.2	27 0.108	21		

Other sensor specifications are available as options. Refer to the index (pp. 543 to 544).

## Airflow - Static Pressure Characteristics

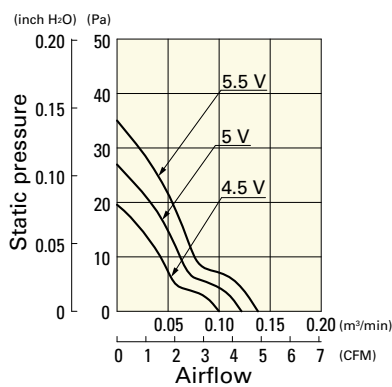
**109P0405H901** With pulse sensor

Operating voltage range



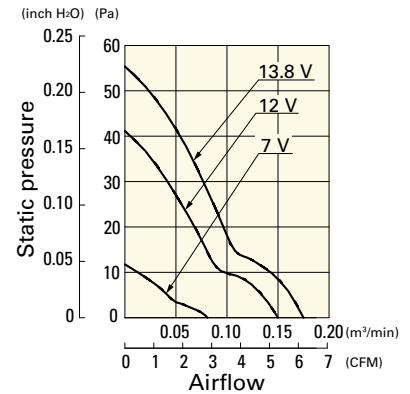
**109P0405M901** With pulse sensor

Operating voltage range



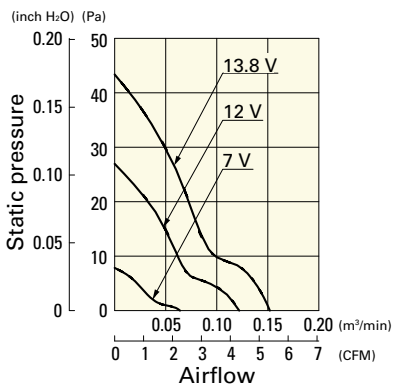
**109P0412H901** With pulse sensor

Operating voltage range

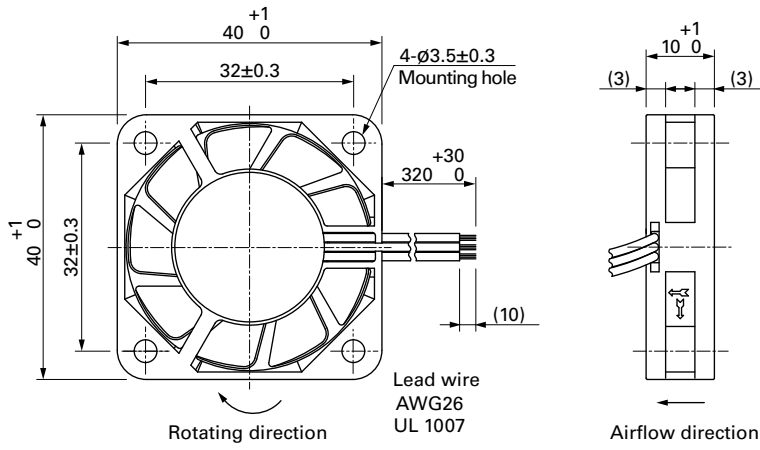


**109P0412M901** With pulse sensor

Operating voltage range

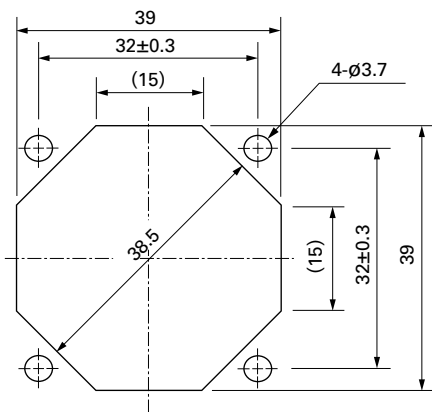


## ■ Dimensions (unit: mm)



## ■ Reference Dimensions of Mounting Holes and Vent Opening (unit: mm)

Inlet side, Outlet side



## ■ Options

Finger guards

page: p. 513

Model no.: 109-059, 109-059H

# Mouser Electronics

Authorized Distributor

Click to View Pricing, Inventory, Delivery & Lifecycle Information:

## Sanyo Denki:

[109P0405H901](#) [109P0412H901](#) [109P0405H902](#) [109P0412H902](#) [109P0412M902](#) [109P0412M901](#) [109P0405M901](#)  
[109P0412M9D01](#) [109P0412H9D01](#) [109P0405M902](#) [109P0405H9D01](#) [109P0405M9D01](#) [109P0412P9H01](#)