

# Customer Information Sheet

DRAWING No.: M80-681XXXX

SHEET 2 OF 2

IF IN DOUBT - ASK

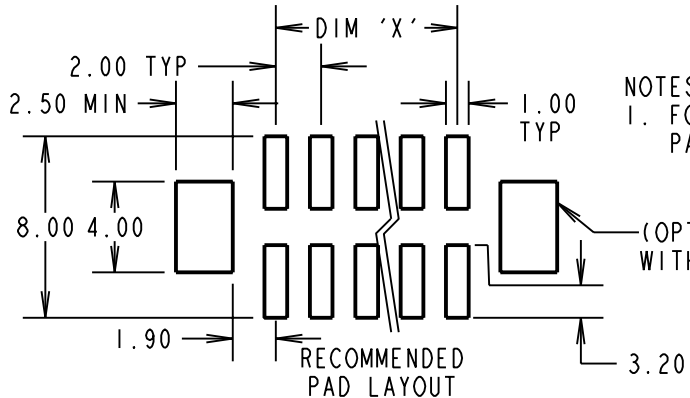
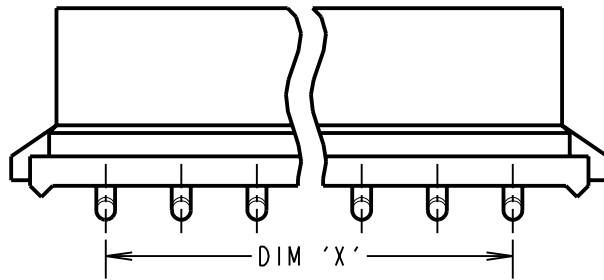
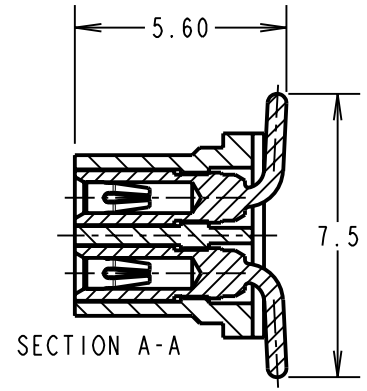
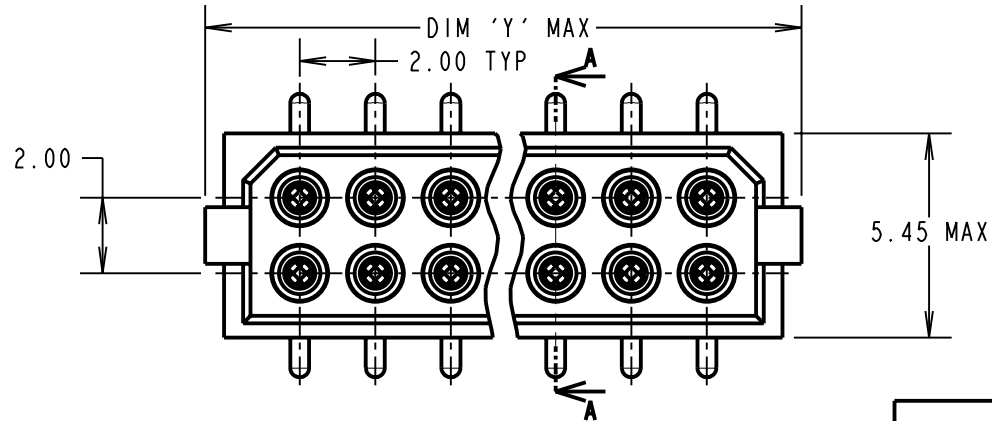
(C)

NOT TO SCALE

THIRD ANGLE PROJECTION

ALL DIMENSIONS IN mm

| ASSEMBLY PART No. | No. OF CONTACTS | DIM 'X' | DIM 'Y' |
|-------------------|-----------------|---------|---------|
| M80-68104XX       | 4               | 2.00    | 7.15    |
| M80-68106XX       | 6               | 4.00    | 9.15    |
| M80-68108XX       | 8               | 6.00    | 11.15   |
| M80-68110XX       | 10              | 8.00    | 13.15   |
| M80-68112XX       | 12              | 10.00   | 15.15   |
| M80-68114XX       | 14              | 12.00   | 17.15   |
| M80-68116XX       | 16              | 14.00   | 19.15   |
| M80-68118XX       | 18              | 16.00   | 21.15   |
| M80-68120XX       | 20              | 18.00   | 23.15   |
| M80-68126XX       | 26              | 24.00   | 29.15   |
| M80-68134XX       | 34              | 32.00   | 37.15   |
| M80-68144XX       | 44              | 42.00   | 47.15   |



ORDER CODE:  
**M80-681XXXX**

TOTAL No. OF CONTACTS  
 04, 06, 08, 10, 12, 14,  
 16, 18, 20, 26, 34, 44

FINISH  
 01 - GOLD CLIP, TIN/LEAD SHELL  
 42 - GOLD CLIP, 100% TIN SHELL  
 45 - GOLD CLIP, GOLD SHELL

**SPECIFICATIONS:**

**MATERIAL:**  
 MOULDING = GLASS-FILLED POLYAMIDE 46, UL94V-0, BLACK  
 CONTACT CLIP = BERYLLIUM COPPER  
 CONTACT SHELL = BRASS

**FINISH:**  
 01 = 0.3µ GOLD CLIP, 4µ TIN/LEAD SHELL  
 42 = 0.3µ GOLD CLIP, 4µ 100% TIN SHELL  
 45 = 0.3µ GOLD CLIP, 0.3µ GOLD SHELL

**ELECTRICAL:**  
 CURRENT RATING AT 25°C = 3.0A MAX  
 CURRENT RATING AT 85°C = 2.2A MAX  
 WORKING VOLTAGE = 120V AC/DC  
 VOLTAGE PROOF = 360V AC/DC  
 CONTACT RESISTANCE = 25 mΩ MAX  
 INSULATION RESISTANCE = 100 MΩ MIN

**MECHANICAL:**  
 DURABILITY = 500 OPERATIONS  
 INSERTION FORCE = 2.8N MAX, 1.0N MIN  
 WITHDRAWAL FORCE = 1.8N MAX, 0.2N MIN

**ENVIRONMENTAL:**  
 TEMPERATURE RANGE = -55°C TO +125°C  
**PACKING:**  
 TUBE

**NOTES:**  
 1. FOR CONNECTOR WITH PICK AND PLACE PAD, SEE DRAWING M80-681XXXXP.

|                      |      |          |        |
|----------------------|------|----------|--------|
| RA                   | 3    | 19.01.10 | 10649  |
| NAME                 | ISS. | DATE     | C/NOTE |
| APPROVED: R. ADDE    |      |          |        |
| CHECKED: M.G.PLESTED |      |          |        |
| DRAWN: W. J. BOURNE  |      |          |        |
| CUSTOMER REF.:       |      |          |        |
| ASSEMBLY DRG:        |      |          |        |

**HARWIN**

HARWIN USA  
 TEL: 603 893 5376  
 FAX: 603 893 5396  
 mis@harwin.com

HARWIN Europe (UK)  
 TEL: 023 9231 4545  
 FAX: 023 9231 4590  
 mis@harwin.co.uk

HARWIN Asia  
 TEL: +65 6 779 4909  
 FAX: +65 6 779 3868  
 mis@harwin.com.sg

THIS DRAWING AND ANY INFORMATION OR DESCRIPTIVE MATTER SET OUT HEREON ARE CONFIDENTIAL AND COPYRIGHT PROPERTY OF THE HARWIN GROUP AND MUST NOT BE DISCLOSED, LOANED, COPIED OR USED FOR MANUFACTURING, TENDERING OR FOR ANY OTHER PURPOSE WITHOUT THEIR WRITTEN PERMISSION.

**TOLERANCES**  
 X. = ±1mm  
 X.X = ±0.25mm  
 X.XX = ±0.10mm  
 X.XXX = ±0.01mm  
 ANGLES = ±5°  
 UNLESS STATED

**MATERIAL:**  
 SEE ABOVE

**FINISH:**  
 SEE ABOVE

**S/AREA:**  
 mm<sup>2</sup>

**TITLE:**  
 DATAMATE DIL VERTICAL SMT SOCKET ASSEMBLY

**DRAWING NUMBER:**  
**M80-681XXXX**

SHT 2 OF 2

# Mouser Electronics

Authorized Distributor

Click to View Pricing, Inventory, Delivery & Lifecycle Information:

## Harwin:

[M80-6810645](#) [M80-6810845](#) [M80-6811045](#) [M80-6811245](#) [M80-6812045](#) [M80-6812645](#) [M80-6813445](#) [M80-6810442](#) [M80-6810601](#) [M80-6810642](#) [M80-6810842](#) [M80-6811042](#) [M80-6811242](#) [M80-6811401](#) [M80-6811442](#) [M80-6811445](#) [M80-6811642](#) [M80-6811645](#) [M80-6811801](#) [M80-6811842](#) [M80-6811845](#) [M80-6812001](#) [M80-6812042](#) [M80-6812601](#) [M80-6812642](#) [M80-6813401](#) [M80-6814401](#) [M80-6814442](#) [M80-6814445](#)