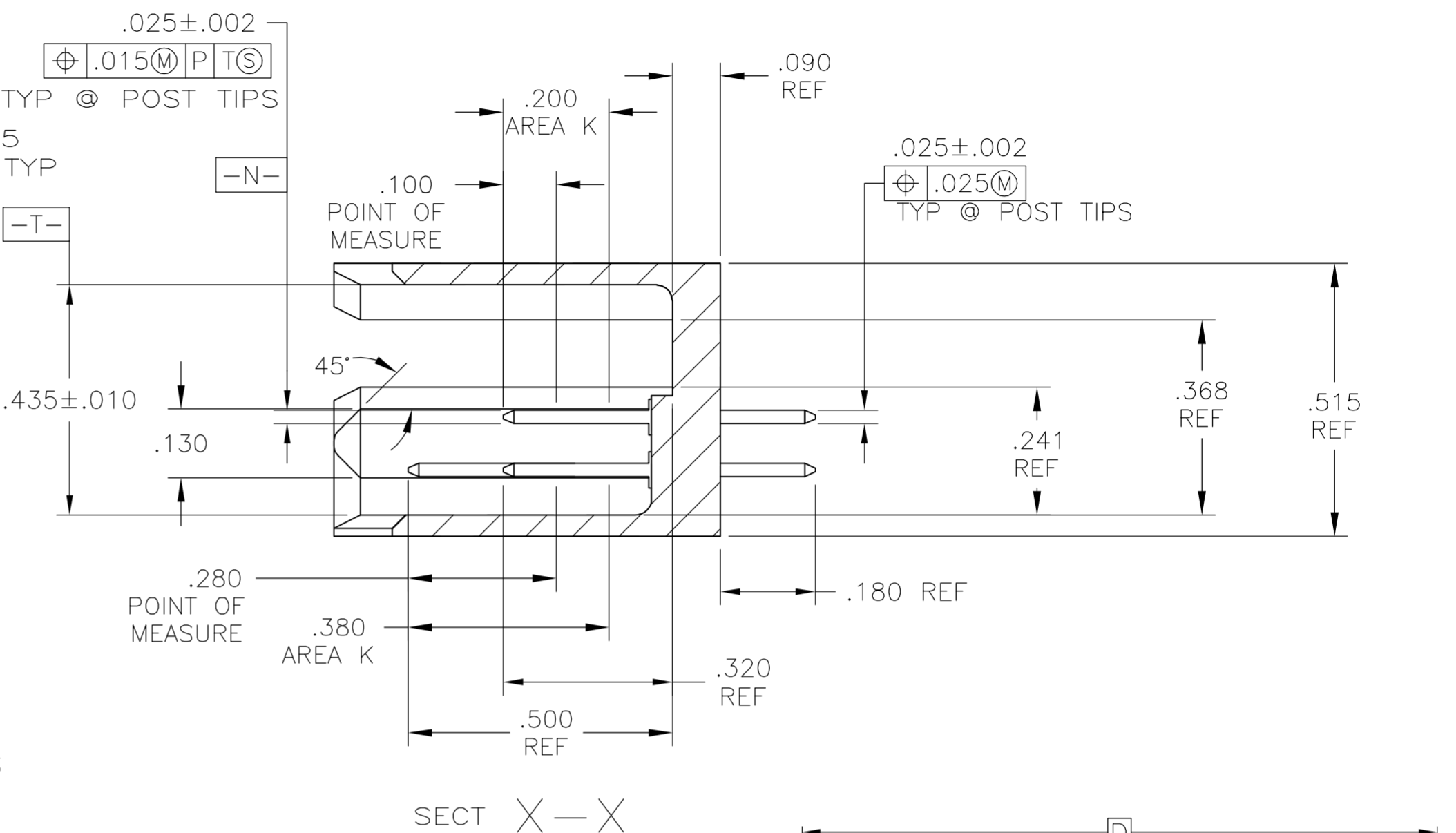
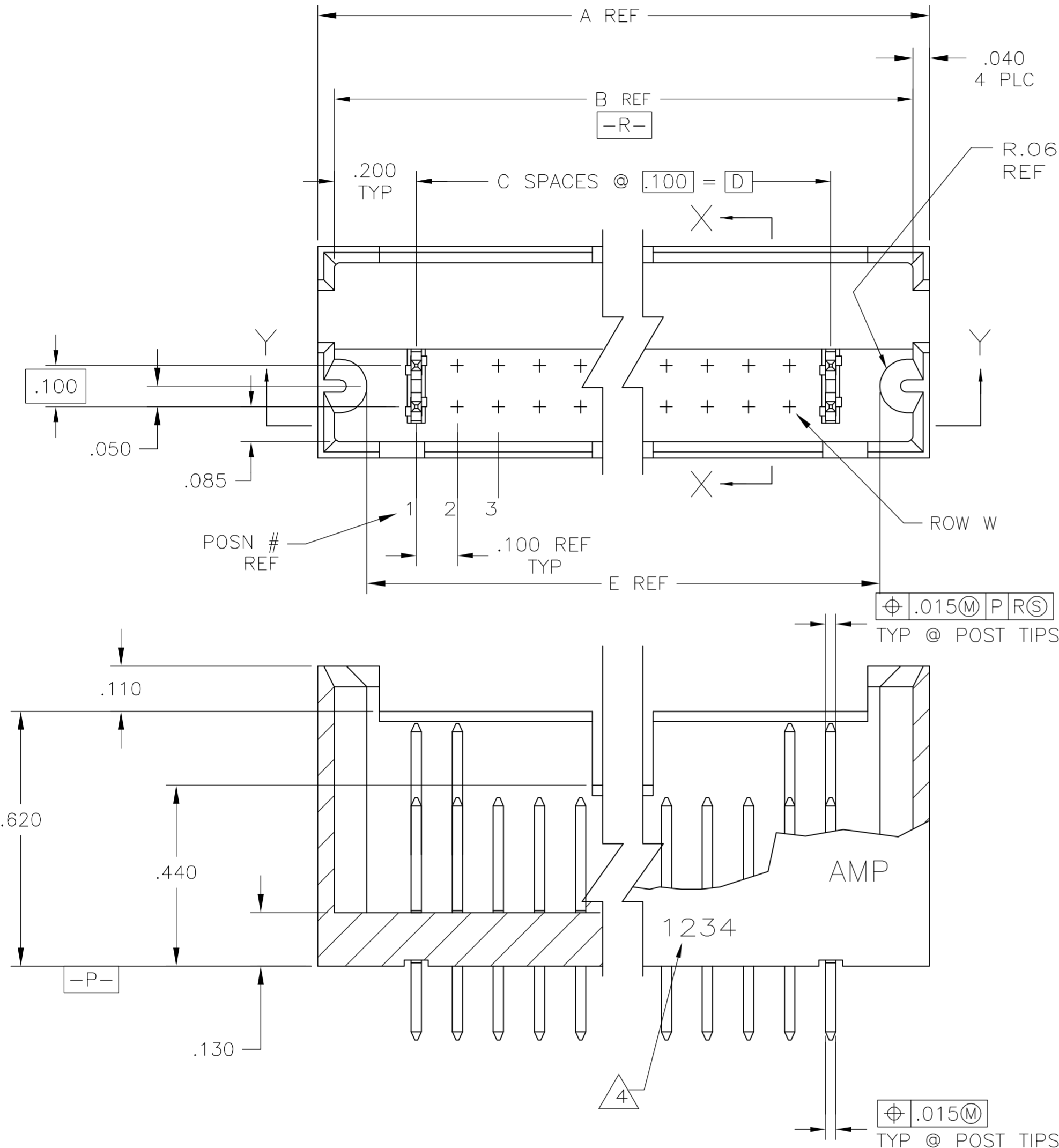


THIS DRAWING IS UNPUBLISHED. RELEASED FOR PUBLICATION
 © COPYRIGHT BY TYCO ELECTRONICS CORPORATION. ALL RIGHTS RESERVED.

LOC		DIST		REVISIONS					
AD	00	P	LTR	DESCRIPTION	DATE	DWN	APVD		
		K1		ECO-05-16253	01FEB06	MB	JO		



- SECTION Y-Y
- 1 MATL: GLASS FILLED NYLON
COLOR: BLACK
 - 2 POST MATL: PHOSPHOR BRONZE
 - 3 DUPLEX PLATED .000030 GOLD ON CONTACT AREA K,
.000010 - .000200 BRIGHT TIN LEAD ON SOLDER
LEADS, ALL OVER .000050 NICKEL
 - 4 RECESSED DATE CODE & CSA LOGO
 - 5 DUPLEX PLATED .000030 GOLD ON CONTACT AREA K,
.000010 - .000200 MATTE TIN ON SOLDER LEADS, ALL
OVER .000050 NICKEL
 - 6 ROHS 2002/95/EC COMPLIANT.

	5	1,30	3,140	2,900	29	3,300	3,380	60	6	5-535552-5
OBSOLETE	3	1,35	3,640	3,400	34	3,800	3,880	70		535552-6
	3	1,30	3,140	2,900	29	3,300	3,380	60		535552-5
OBSOLETE	3	2,4,30	3,140	2,900	29	3,300	3,380	60		535552-4
OBSOLETE	3	1,2,6,7	.840	.600	6	1,000	1,080	14		535552-3
OBSOLETE	3	1-4, 37-40	4,140	3,900	39	4,300	4,380	80		535552-2
OBSOLETE	3	2	2,140	1,900	19	2,300	2,380	40		535552-1
FINISH		SELECT LOADING ROW W POST	E	D	C	B	A	NO OF POSN		PART NUMBER

THIS DRAWING IS A CONTROLLED DOCUMENT.

DIMENSIONS: INCHES

TOLERANCES UNLESS OTHERWISE SPECIFIED:

0 PLC	± -
1 PLC	± -
2 PLC	± -
3 PLC	± .005
4 PLC	± -
ANGLES	± -
FINISH	SEE TABLE

MATERIAL: 1 2

THIS DRAWING IS A CONTROLLED DOCUMENT. DWN: B. HAYMAKER 11JAN01, CHK: J. GESFORD 29OCT98, APVD: J. GESFORD 29OCT98, PRODUCT SPEC, APPLICATION SPEC, WEIGHT: -

tyco Electronics Tyco Electronics Corporation Harrisburg, PA 17105-3608

ASSM. HDR. SHROUD, MOD II, .100x.100CL, .025 SQ STANDARD POST

SIZE: A2, CAGE CODE: 00779, DRAWING NO: C=535552, RESTRICTED TO: -

CUSTOMER DRAWING, SCALE: 4:1, SHEET: 1 of 1, REV: K1

Mouser Electronics

Authorized Distributor

Click to View Pricing, Inventory, Delivery & Lifecycle Information:

[TE Connectivity:](#)

[5-535552-5](#)