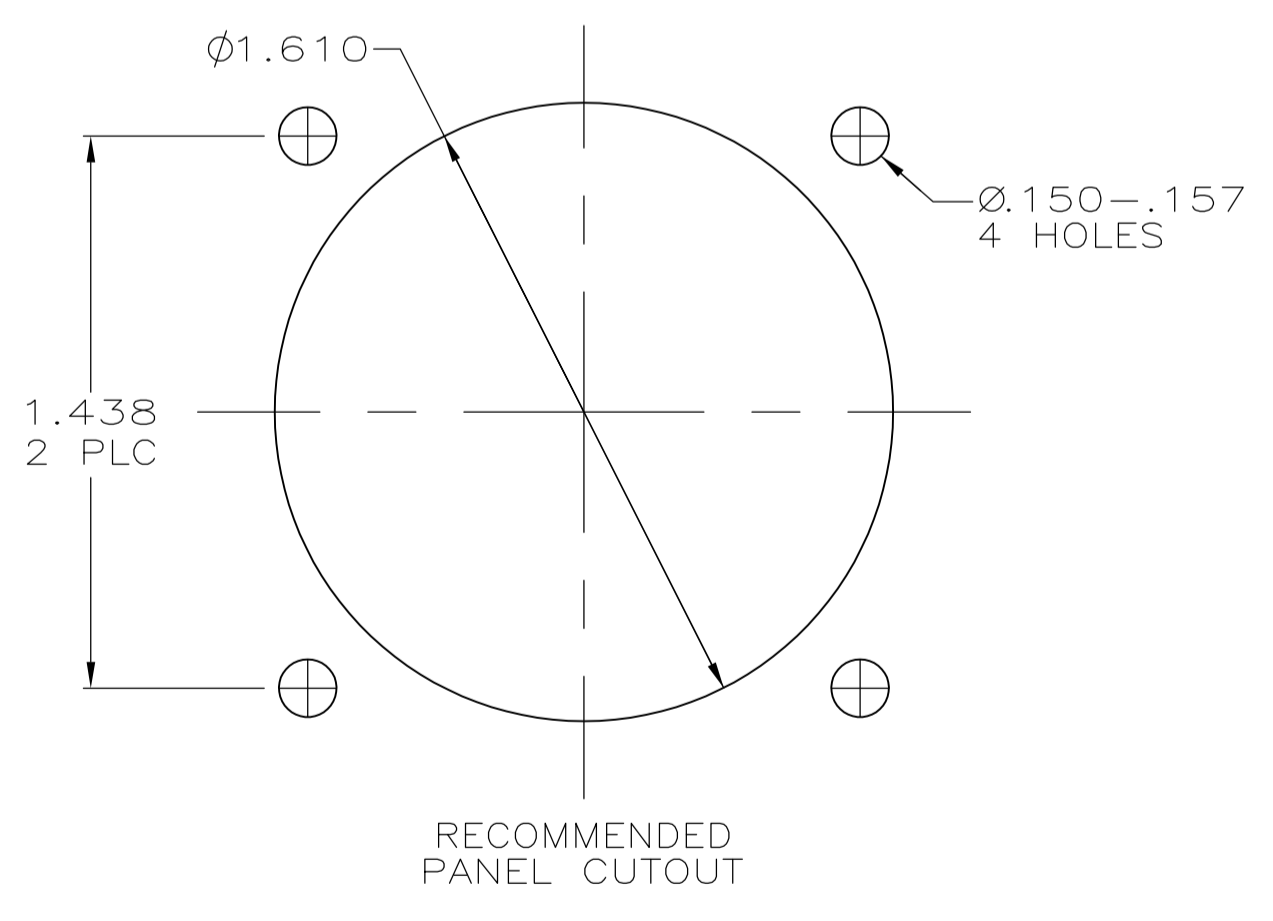
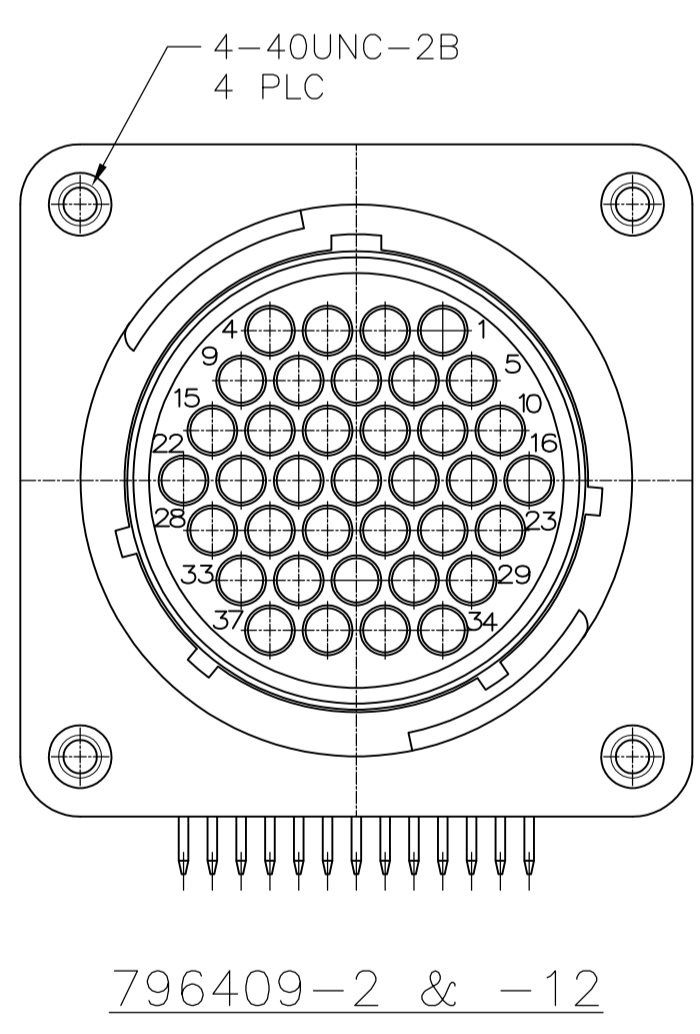
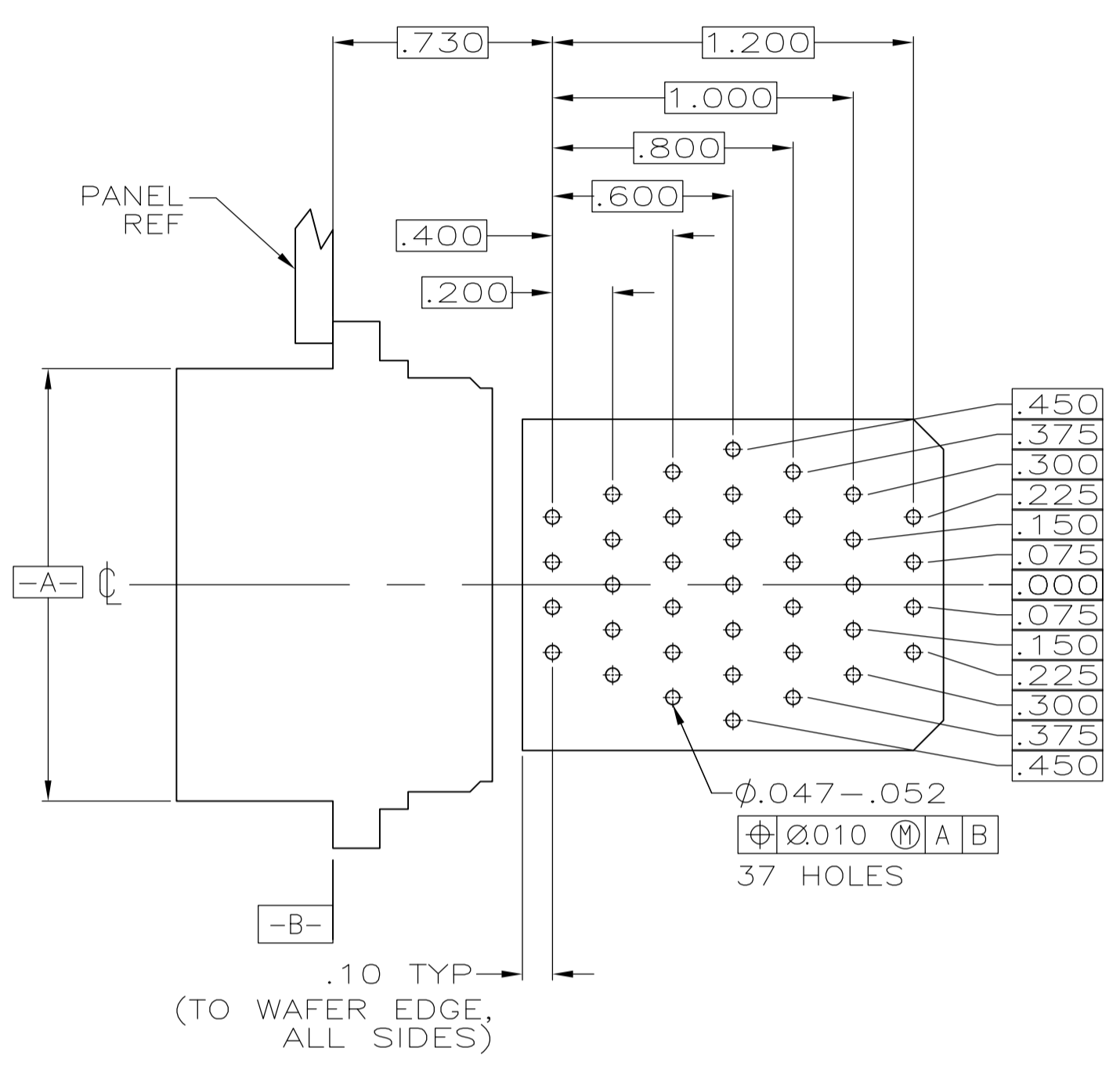
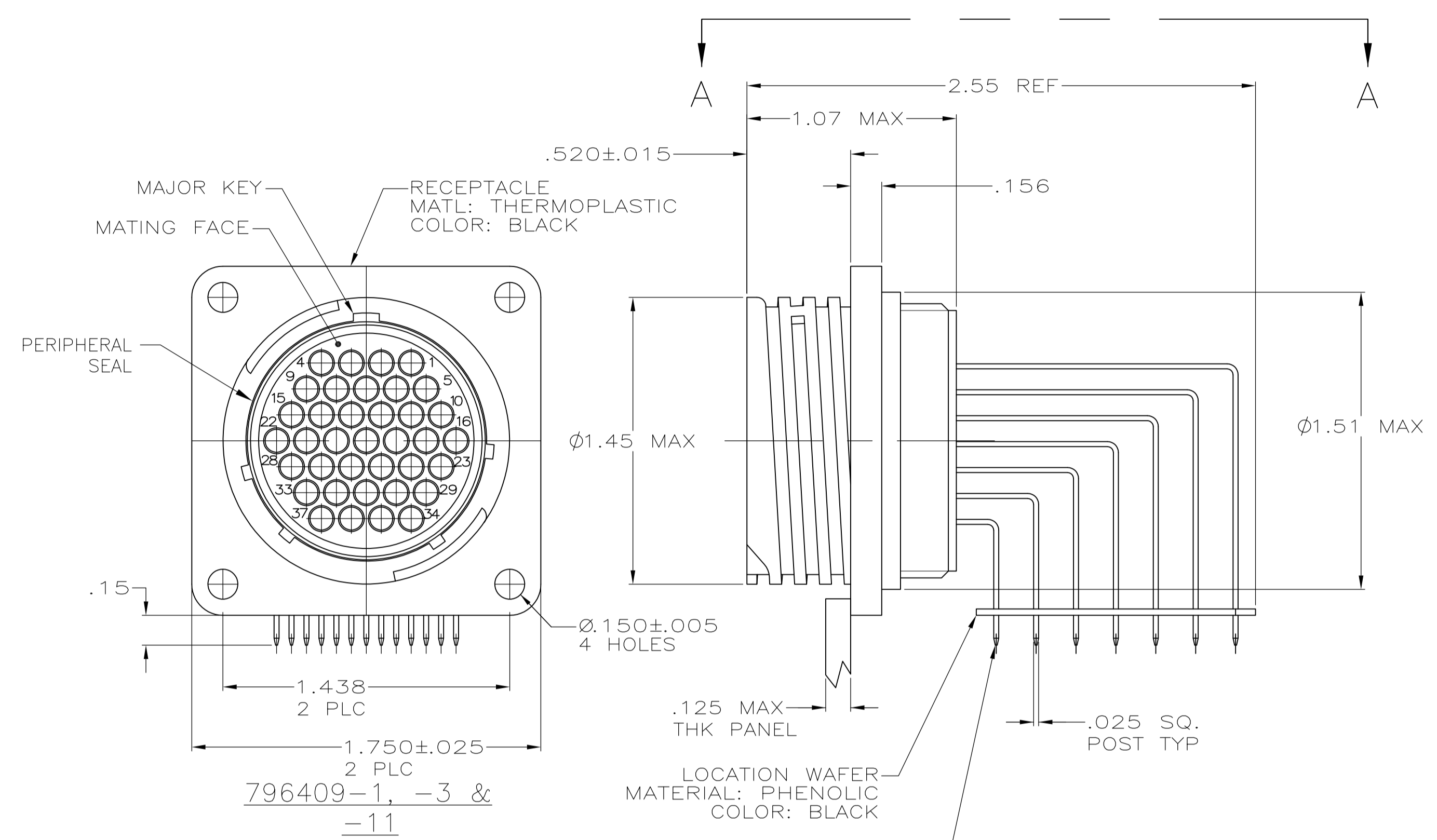


REVISIONS					
P	LTR	DESCRIPTION	DATE	DMN	APVD
F1		REVISED PER ECO-16-004800	10SEP2016	NK	MZ
G		REVISED PER ECR-16-016548	27FEB2017	RS	MZ



- CONTACT CAVITIES IDENTIFIED BY CHARACTERS ON FRONT AND REAR FACES OF CONNECTOR.
- #6 FASTENER RECOMMENDED FOR MOUNTING.
- CONTACT BODY: .000030 MIN GOLD FOR A LENGTH OF .200 MIN FROM MATING END, WITH REMAINDER TO BE GOLD FLASH, BOTH OVER .000050 MIN NICKEL.
CONTACT POST: .000100 MIN TIN-LEAD OVER .000100 MIN COPPER.
- PC BOARD HOLE PATTERN IS DEFINED RELATIVE TO CONNECTOR C.L. AND PANEL MOUNTING FACE INDICATED.
- CONTACT BODY: .000030 MIN GOLD FOR A LENGTH OF .200 MIN FROM MATING END, WITH REMAINDER TO BE GOLD FLASH, BOTH OVER .000050 MIN NICKEL.
CONTACT POST: .000100 MIN TIN OVER .000100 MIN COPPER.

OBSOLETE	NO	△	YES	-1-796409-2-
	NO	△	NO	1-796409-1
OBSOLETE	YES	△	NO	-796409-3-
OBSOLETE	NO	△	YES	-796409-2-
OBSOLETE	NO	△	NO	-796409-1-
	PERIPHERAL SEAL	CONTACT FINISH	THREADED INSERTS	PART NUMBER

THIS DRAWING IS A CONTROLLED DOCUMENT.

DIMENSIONS: INCHES	TOLERANCES UNLESS OTHERWISE SPECIFIED:	DIN HAMNER 3-26-00	3-27-00	 TE Connectivity
0 PLC ± -	1 PLC ± -	APVD M.CHACKO 3-27-00	NAME	
2 PLC ± .03	3 PLC ± .010		RECEPTACLE ASSY, POSTED, RT ANGLE, RVS SEX, SIZE 23-37, SERIES 1, CPC	
4 PLC ± -	ANGLES ± -		APPLICATION SPEC	
MATERIAL	FINISH	WEIGHT	SIZE CAGE CODE DRAWING NO	RESTRICTED TO
			A1 00779 C=796409	
		CUSTOMER DRAWING	SCALE 2:1	SHEET 1 OF 1 REV G

Mouser Electronics

Authorized Distributor

Click to View Pricing, Inventory, Delivery & Lifecycle Information:

[TE Connectivity:](#)

[1-796409-1](#)