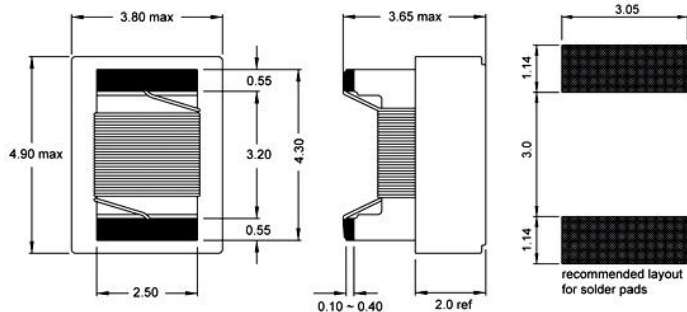


Fastron helps streamline your design process with Engineer's Kits. Each value compartment is labelled and removable for ease of handling. There are 10 pieces for each value from 12 $\mu$ H to 2200 $\mu$ H.



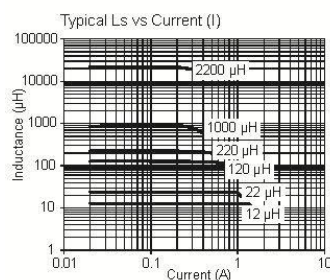
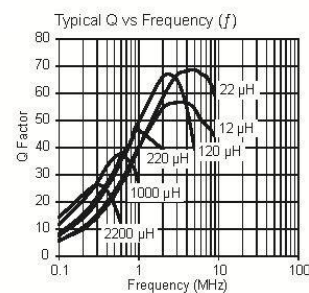
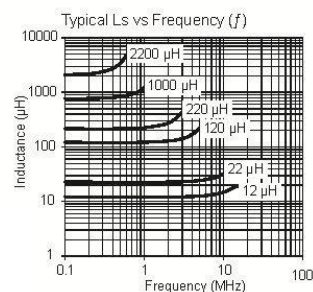
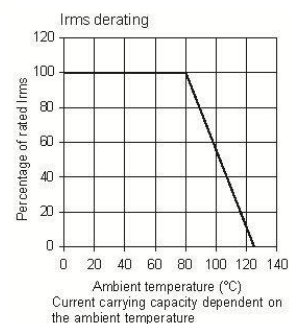
Part No	L ( $\mu$ H)	fL (MHz)	Tol $\pm$ (%)	Q min	fQ (MHz)	SRF min (MHz)	DCR max ( $\Omega$ )	Rated DC Current Max(mA)
1812AF-120K-01	12	2.5	10	42	2.5	40	2.0	310
1812AF-150K-01	15	2.5	10	42	2.5	40	2.5	290
1812AF-180K-01	18	2.5	10	45	2.5	40	2.8	270
1812AF-220K-01	22	2.5	10	45	2.5	40	3.2	260
1812AF-270K-01	27	2.5	10	45	2.5	36	3.6	240
1812AF-330K-01	33	2.5	10	45	2.5	34	4.0	230
1812AF-390K-01	39	2.5	10	45	2.5	32	4.5	210
1812AF-470K-01	47	2.5	10	42	2.5	30	5.0	200
1812AF-560K-01	56	2.5	10	42	2.5	27	5.5	190
1812AF-680K-01	68	2.5	10	40	2.5	23	6.0	180
1812AF-820K-01	82	2.5	10	40	2.5	19	7.0	170
1812AF-101K-01	100	2.5	10	40	2.5	13	8.0	150
1812AF-121K-01	120	0.79	10	33	0.79	11	11.5	135
1812AF-151K-01	150	0.79	10	36	0.79	10	13.0	125
1812AF-181K-01	180	0.79	10	36	0.79	9.0	14.2	120
1812AF-221K-01	220	0.79	10	38	0.79	6.0	16.2	115
1812AF-271K-01	270	0.79	10	38	0.79	4.5	20.5	105
1812AF-331K-01	330	0.79	10	38	0.79	3.5	22.5	100
1812AF-391K-01	390	0.79	10	38	0.79	3.0	24.5	90
1812AF-471K-01	470	0.79	10	33	0.79	2.1	26.5	85
1812AF-561K-01	560	0.79	10	33	0.79	2.0	28.5	75
1812AF-681K-01	680	0.79	10	27	0.79	1.8	38.0	60
1812AF-821K-01	820	0.79	10	27	0.79	1.7	41.0	55
1812AF-102K-01	1000	0.79	10	26	0.79	1.6	44.0	50
1812AF-122K-01	1200	0.252	10	18	0.252	0.8	60.0	42
1812AF-222K-01	2200	0.252	10	18	0.252	0.62	84.0	32

**Features:** Gold pad metallization, For surface mount assembly, High Q

**Applications:** High frequency circuits, WIFI, WIMAX, RFID, Antennas & wireless modules, Impedance matching, Circuit isolation, RF filters

**Material:** Ceramic & Ferrite

[www.fastrongroup.com](http://www.fastrongroup.com)



# Mouser Electronics

Authorized Distributor

Click to View Pricing, Inventory, Delivery & Lifecycle Information:

[Fastron:](#)

[EK-1812AF-K](#)