

PART NAME

NEMA 4X DIE CAST ALUMINUM ENCLOSURE

PART No.

AN-1317, AN-1317-G, AN-2817 & AN-2817-B

REV. DATE

3-24-10

MATERIAL: ALUMINUM ALLOY #ADC-12

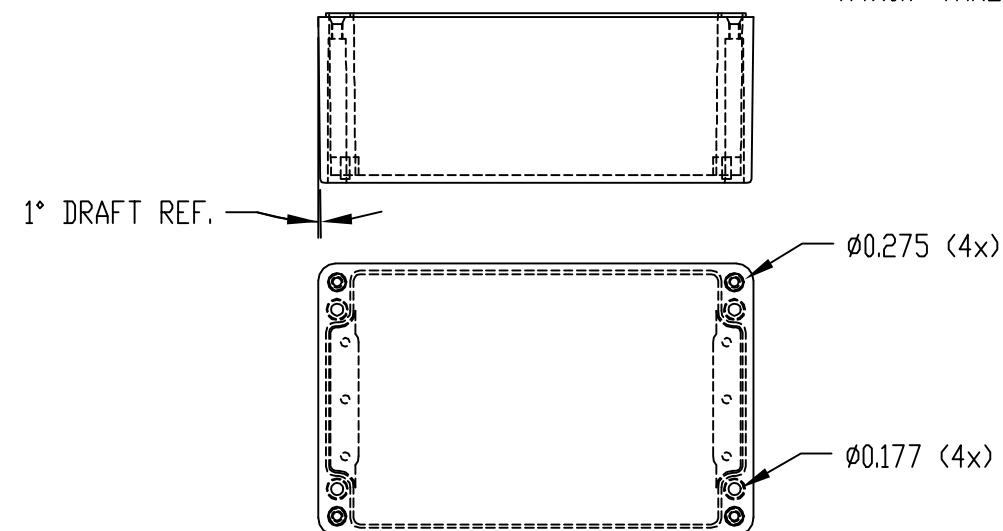
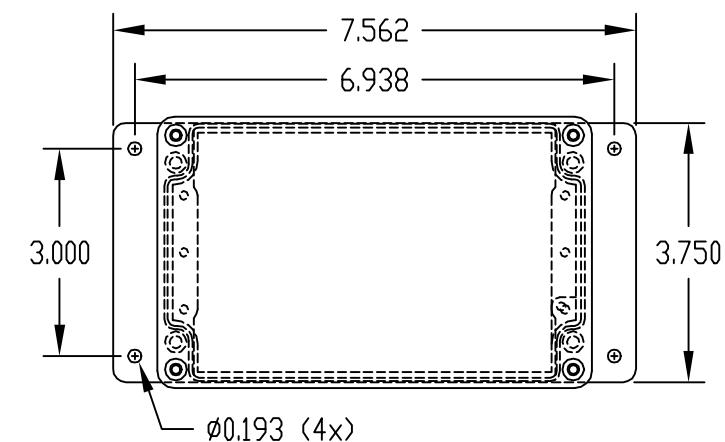
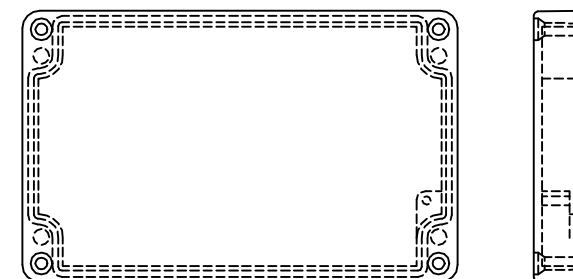
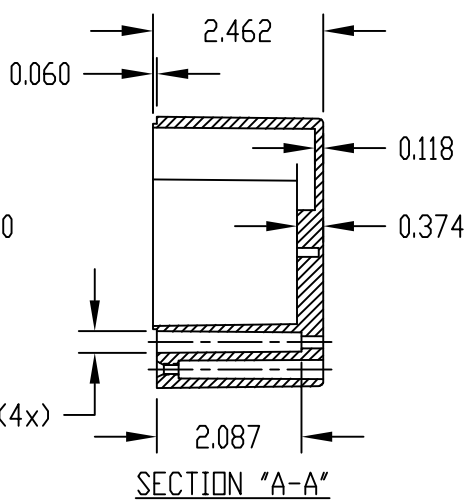
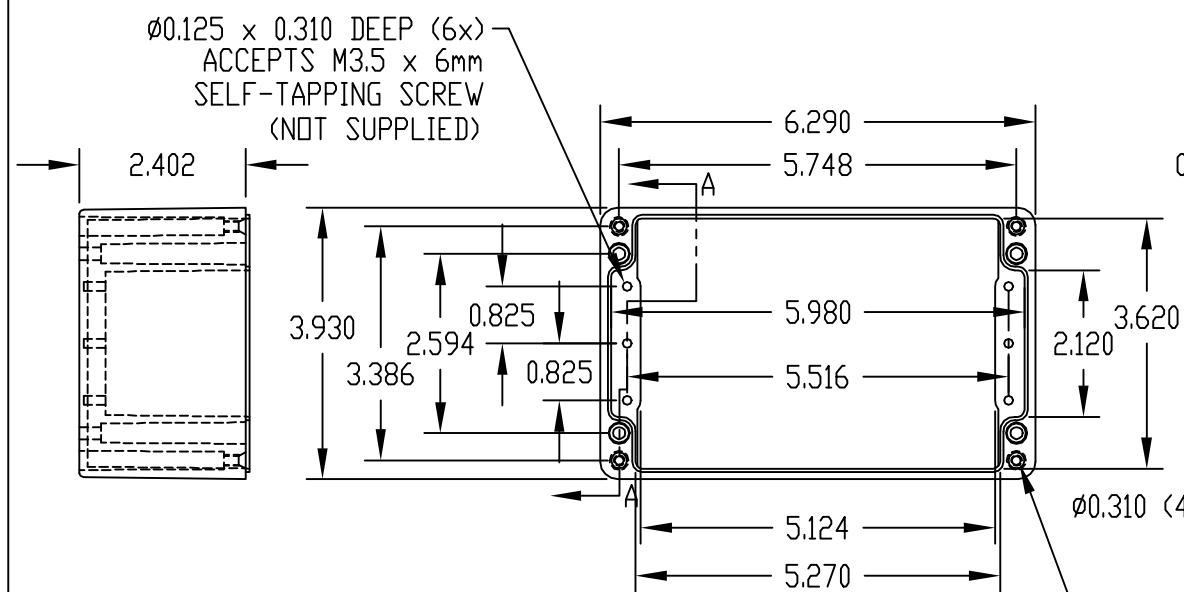
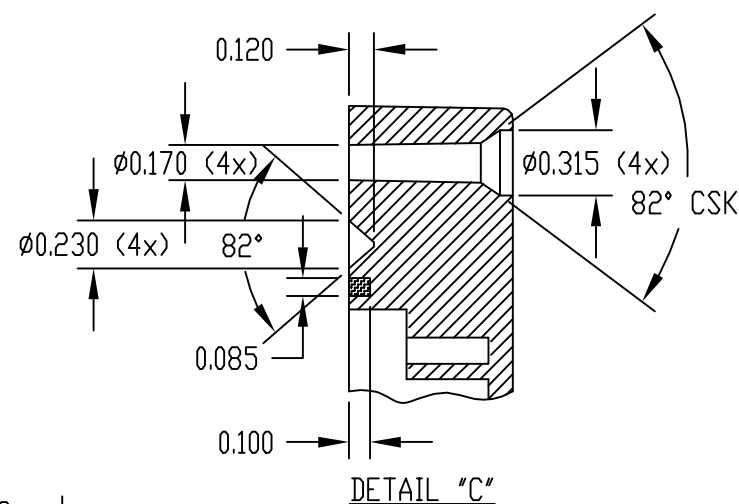
FINISH: NATURAL (NO SUFFIX)

GRAY (SUFFIX -G)

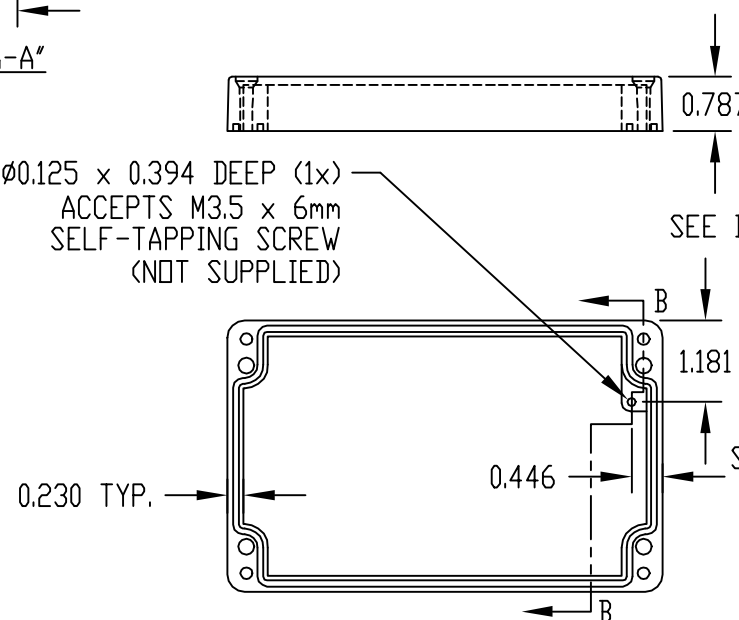
SMOOTH BLACK (SUFFIX -B)

NOTES:

- 1) FOUR (4) M4x0.7 x 30mm (1.181") LG. SCREWS SUPPLIED FOR ASSEMBLY OF COVER TO BODY.
- 2) ALL HOLE DIAMETERS HAVE ±0.005 TOLERANCE ALL OTHER DIMENSIONS HAVE ±0.015 TOLERANCE



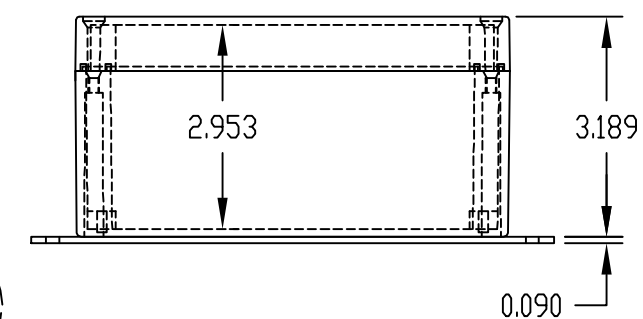
0.125 x 0.394 DEEP (1x) ACCEPTS M3.5 x 6mm SELF-TAPPING SCREW (NOT SUPPLIED)



SEE DETAIL "C"

SILICONE GASKET (CLEAR)

SECTION "B-B"



PART NO. AN-2816 & AN-2816-B ARE SUPPLIED WITH A WELDED ON MOUNTING BRACKET ONLY.

BODY

COVER

Mouser Electronics

Authorized Distributor

Click to View Pricing, Inventory, Delivery & Lifecycle Information:

[Bud Industries:](#)

[AN-1317-G](#) [AN-1317](#) [AN-2817](#) [AN-2817-B](#)