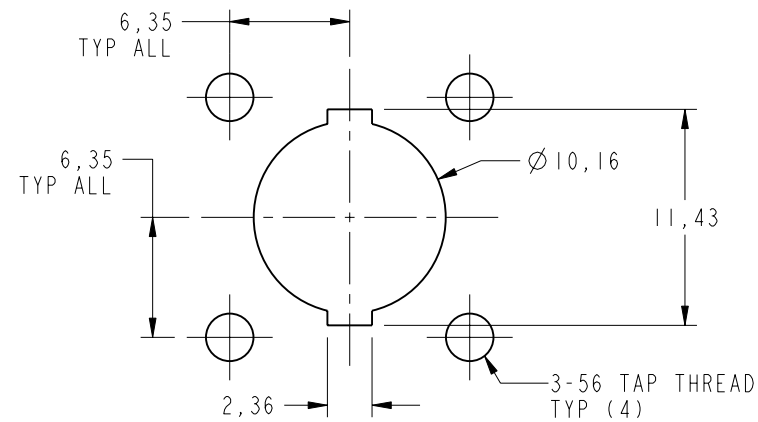
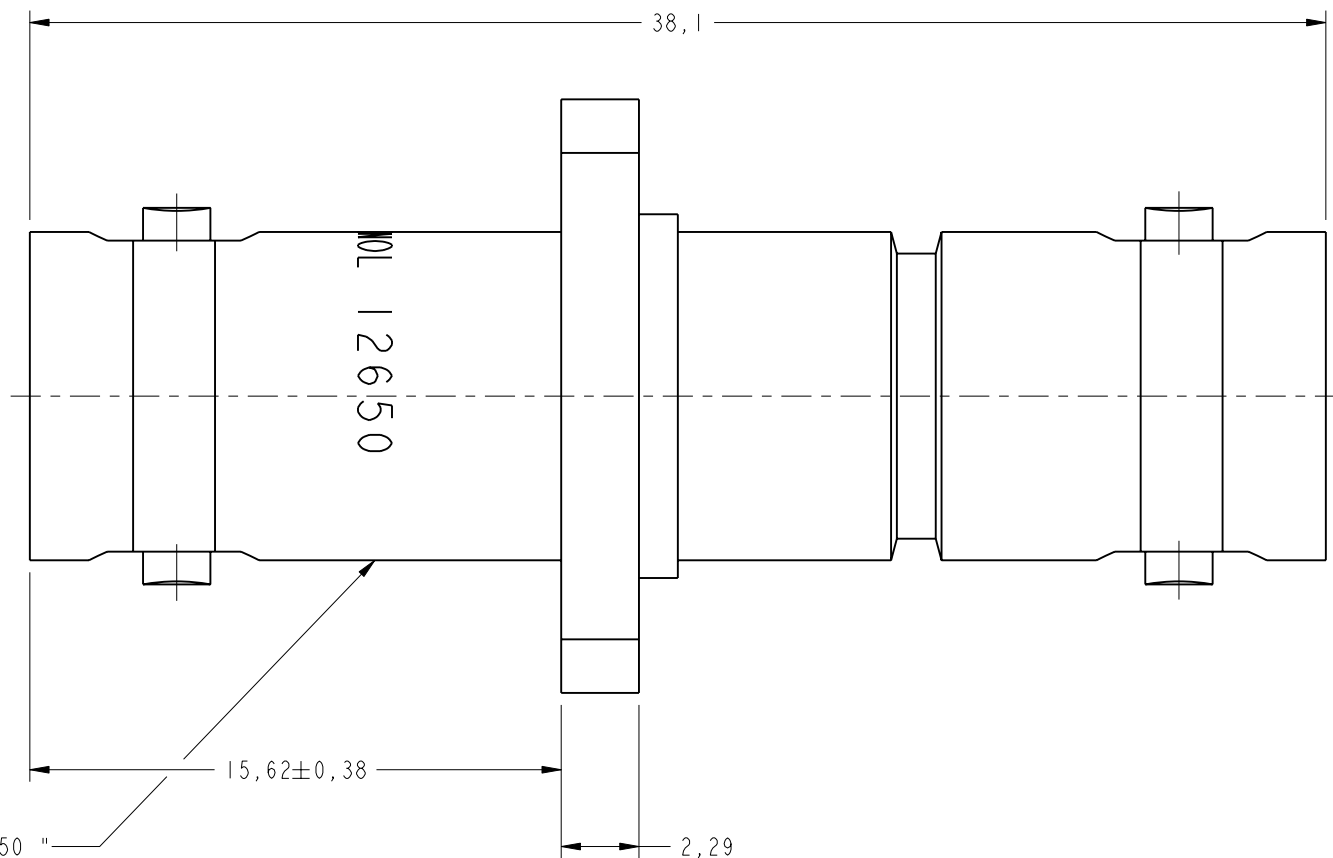


NOTES:

- 1. MATERIALS AND FINISHES:  
 BODY, FLANGE - BRASS, NICKEL PLATING.  
 CONTACT - BeCu, SILVER PLATING.  
 INSULATOR - PTFE
- 2. PACKAGING:  
 A. QUANTITY: SINGLE PACK  
 B. MARKING: BAG TO BE MARKED  
 "AMPHENOL, 12650, AND DATE CODE"



RECOMMENDED PANEL CUTOUT DIMENSIONS

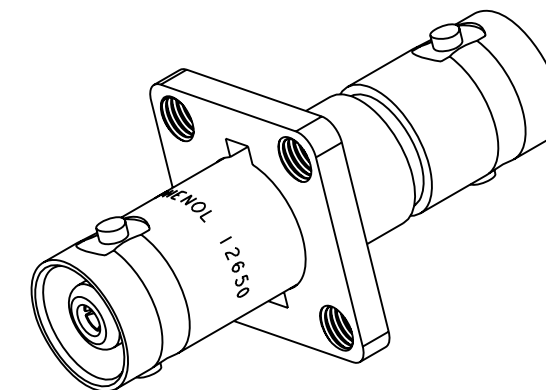


STAMP " AMPHENOL 12650 " SHOWN AS REF.

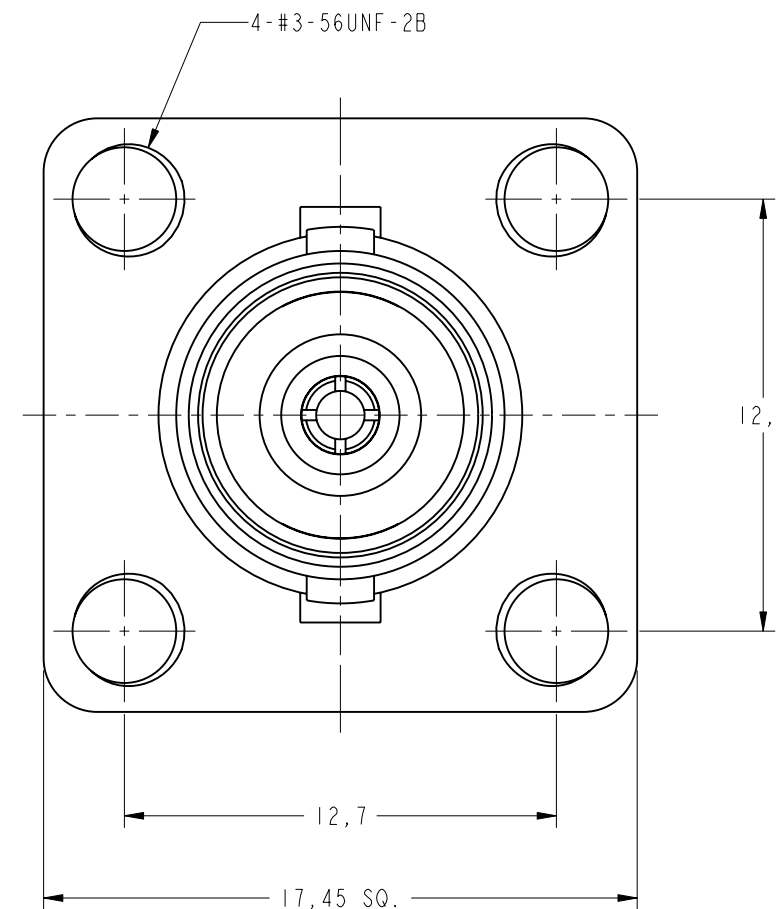
THIRD ANGLE PROJ.

REVISIONS

REV	DESCRIPTION	DATE	ECO	APPR
AI	RELEASE TO MFG.	10-Apr-03	--	SH
L	REDRAWN IN PROE, ADDED COD/RD-DM09082501SI	16-Nov-09	47678	SH



SCALE 2.000



**CUSTOMER OUTLINE DRAWING**  
 ALL OTHER SHEETS ARE FOR INTERNAL USE ONLY

UNLESS OTHERWISE SPECIFIED, DIMENSIONS ARE IN METRIC AND TOLERANCES ARE:  
 <0.5mm ±0.05mm    0.5 - 6mm ±0.1mm    6 - 30mm ±0.2mm    30 - 120mm ±0.3mm    ANGLES ±1°

NOTICE - These drawings, specifications, or other data (1) are, and remain the property of Amphenol corp. (2) must be returned upon request; and (3) are confidential and not to be disclosed to any person other than those to whom they are given by Amphenol Corp. the finishing of these drawings, specifications, or other data by Amphenol Corp., or to any other person to anyone for any purpose is not to be regarded by implication or otherwise in any manner licensing, granting rights to permitting such holder or any other person to manufacture, use or sell any product, process or design, patented or otherwise, that may in any way be related to or disclosed by said drawings, specifications, or other data.

MATERIAL	DRAWN S.HE	DATE 21-Sep-09	TITLE MHV TYPE HIGH VOLTAGE JUNCTION	Amphenol RF Danbury CT USA, Tainan, Taiwan, Shenzhen, China www.amphenolrf.com
REFERENCE EAR # AND CONFIGURATION LEVEL: RLName1	ENGINEER S. P.	DATE 06-Jul-09		
FINISH	APPROVED S.HSIEH	DATE 21-Sep-09	SCALE: 4.5:1.0	DRAWING NO.12650
	CAD FILE Root Folder/MHV/12650		SHEET 2 OF 2	ITEM NO.12650
			DWG SIZE B	PART NO.12650
			REV L	

# Mouser Electronics

Authorized Distributor

Click to View Pricing, Inventory, Delivery & Lifecycle Information:

[Amphenol:](#)

[12650](#) [000-12650](#)