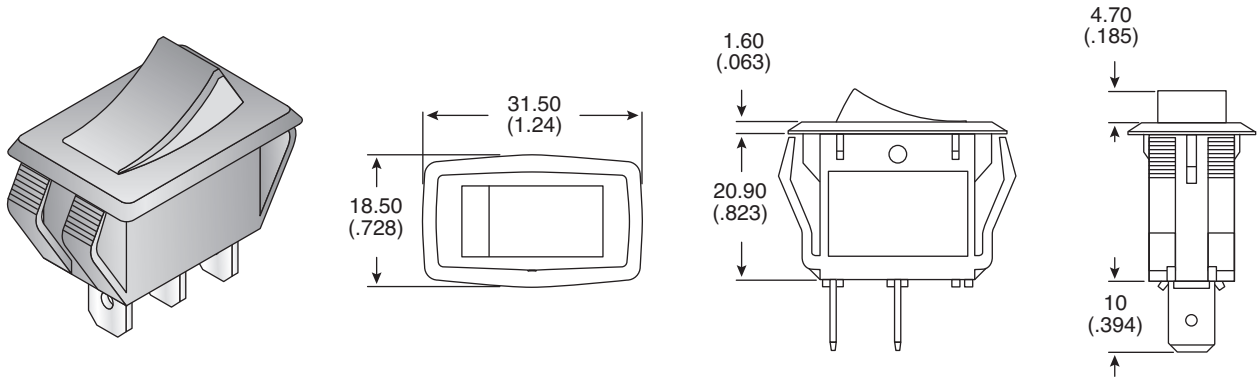
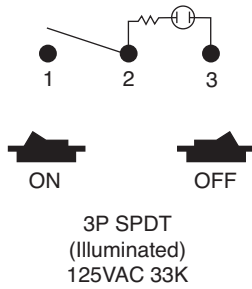


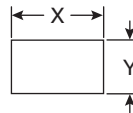
Dimensions: mm (in.)



Function



Mount Hole



Thickness	X	Y
0.75...3	27.6-0.1	13.8+0.1
3...4	27.8-0.1	13.8+0.1
4...5	28.0-0.1	13.8+0.1

Terminal



.250" Sq.

Electrical Specifications:

- Rating: 16A/125VAC, 10A/250VAC
- Contact resistance: 50mΩ max.
- Insulation resistance: 500VDC 100MΩ min.
- Dielectric strength: 1500VAC for 1 Minute

Note:

- RoHS Compliant

Mouser Stock No.	Button
103-R13-205B-01R-EV	Red Illuminated/Neon
103-R13-205B-01G-EV	Green Illuminated/Neon

Illuminated Rocker Switches

103-R13-205B-01R-EV, 103-R13-205B-01G-EV



# Mouser Electronics

Authorized Distributor

Click to View Pricing, Inventory, Delivery & Lifecycle Information:

[Mountain Switch:](#)

[103-R13-205B-01R-EV](#) [103-R13-205B-01G-EV](#)