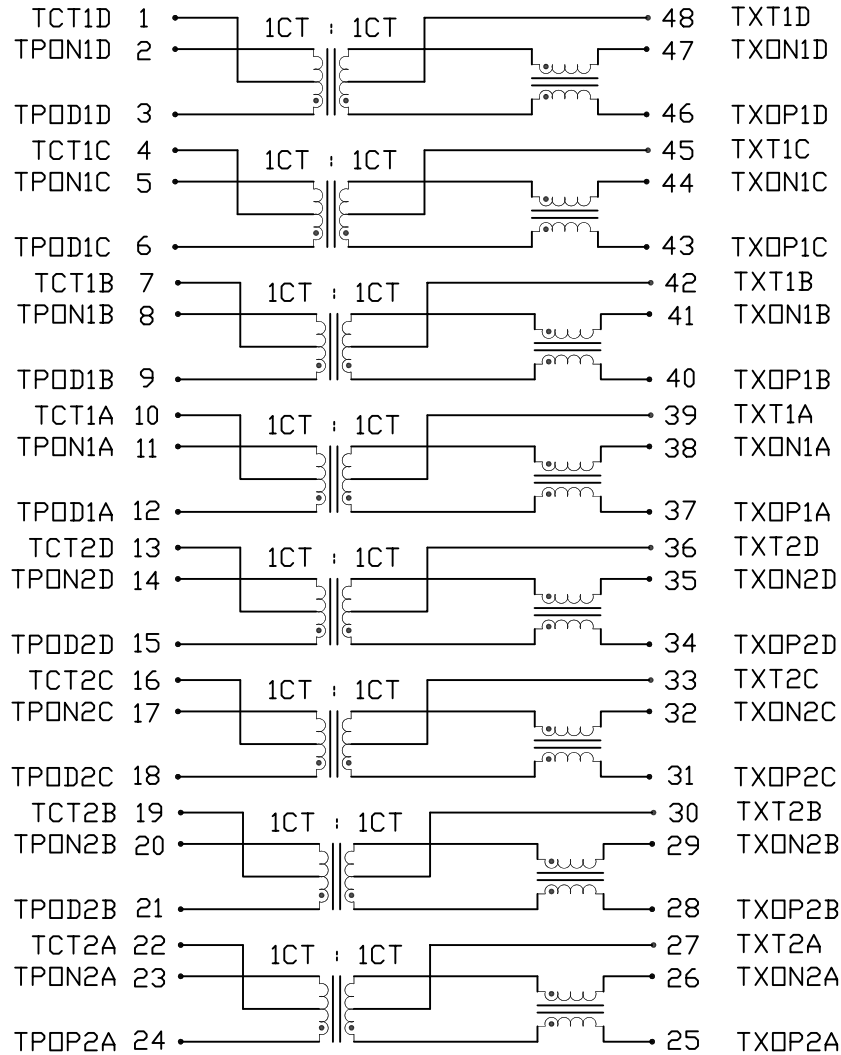


THE INFORMATION CONTAINED HEREIN IS CONSIDERED "PROPRIETARY" TO BEL FUSE INC. AND SHALL NOT BE COPIED, REPRODUCED OR DISCLOSED WITHOUT THE WRITTEN APPROVAL OF BEL FUSE INC.

RoHS



SCHEMATIC



ELECTRICAL CHARACTERISTICS @ 25°C

TURN RATIO	1CT : 1CT ±2%										
QCL	350µH MIN. @100kHz, 100mV, WITH 8mA D.C. BIAS PIN (46-47), (43-44), (40-41), (37-38) PIN (34-35), (31-32), (28-29), (25-26)										
INSERTION LOSS	<table border="1"> <thead> <tr> <th>FREQ.</th> <th>1MHz</th> <th>65MHz</th> <th>100MHz</th> <th>125MHz</th> </tr> </thead> <tbody> <tr> <td>MAX.</td> <td>1.1dB</td> <td>0.5dB</td> <td>0.8dB</td> <td>1.2dB</td> </tr> </tbody> </table>	FREQ.	1MHz	65MHz	100MHz	125MHz	MAX.	1.1dB	0.5dB	0.8dB	1.2dB
FREQ.	1MHz	65MHz	100MHz	125MHz							
MAX.	1.1dB	0.5dB	0.8dB	1.2dB							
RETURN LOSS MEASURED UNDER A 100 Ω ENVIRONMENT	18dB MIN. @ 0.5 TO 40 MHz 12-20LOG(f/80MHz)dB MIN. @ 40 TO 100MHz										
COMMON TO COMMON MODE REJECTION	30dB MIN. @ 0.1 TO 100MHz										
CROSSTALK	33-20LOG(f/100MHz)dB MIN. @ 1 TO 100MHz										
HIPOT	PER HAND-WORK-03										

REV. : B PAGE : 2

ORIGINATED BY	DATE
Alice Pang	2015-04-10
DRAWN BY	DATE
ZC Guo	2015-04-10

TITLE  
ELECTRICAL SPECIFICATION  
S558-5999-Q2-F

PART NO. / DRAWING NO.  
X5585999Q2-F  
FILE NAME  
X5585999Q2FB.DWG

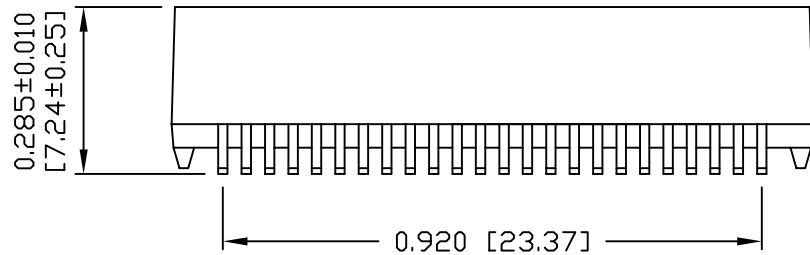
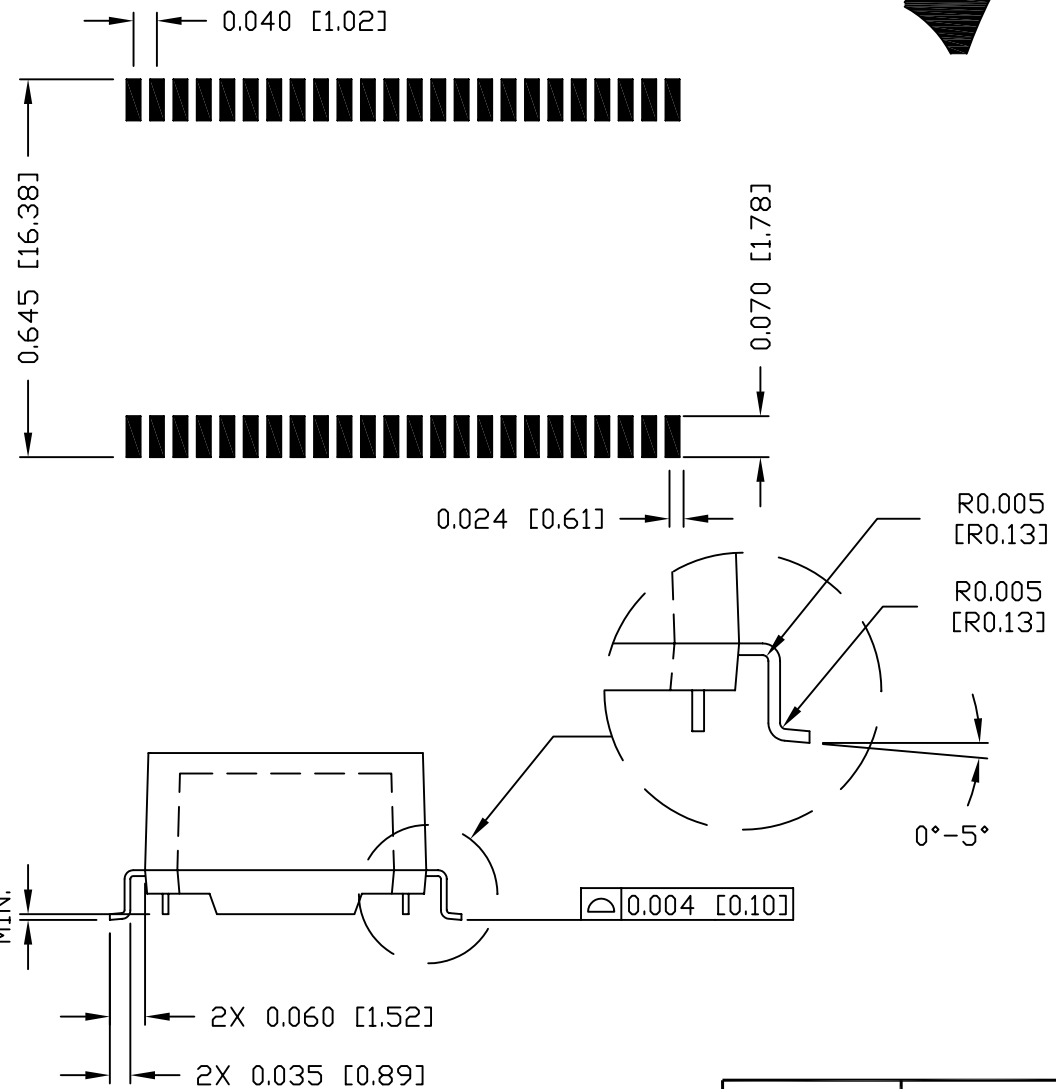
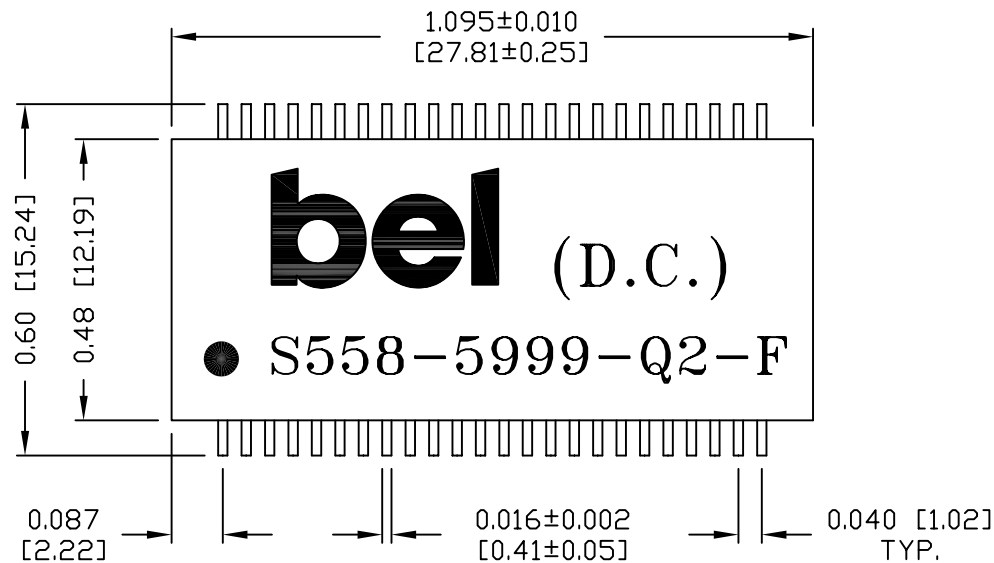
STANDARD DIM.	[ ] METRIC DIM. AS REF.
TOL. IN INCH	UNIT : INCH [mm]
.X	SCALE : N/A
.XX	SIZE : A4
.XXX	



THE INFORMATION CONTAINED HEREIN IS CONSIDERED "PROPRIETARY" TO BEL FUSE INC. AND SHALL NOT BE COPIED, REPRODUCED OR DISCLOSED WITHOUT THE WRITTEN APPROVAL OF BEL FUSE INC.



SUGGESTED PCB PAD LAYOUT



NOTES:

- STANDARD MARKING REFER TO DOC. HAND-WORK-04.
- PACKAGE CODE: "QVS001".

ORIGINATED BY		DATE	TITLE	PART NO. / DRAWING NO.	STANDARD DIM. [ ] METRIC DIM. AS REF.		REV. : B	PAGE : 3	
Lawrence Tsang		2015-04-10	MECHANICAL DRAWING S558-5999-Q2-F	X5585999Q2-F	TOL. IN INCH		UNIT : INCH [mm]		
DRAWN BY		DATE		FILE NAME	.X	.XX ±0.01		SCALE : N/A	
ZC Guo		2015-04-10		X5585999Q2FB.DWG	.XXX	±0.005		SIZE : A4	



# Mouser Electronics

Authorized Distributor

Click to View Pricing, Inventory, Delivery & Lifecycle Information:

Bel:

[S558-5999-Q2-F](#)