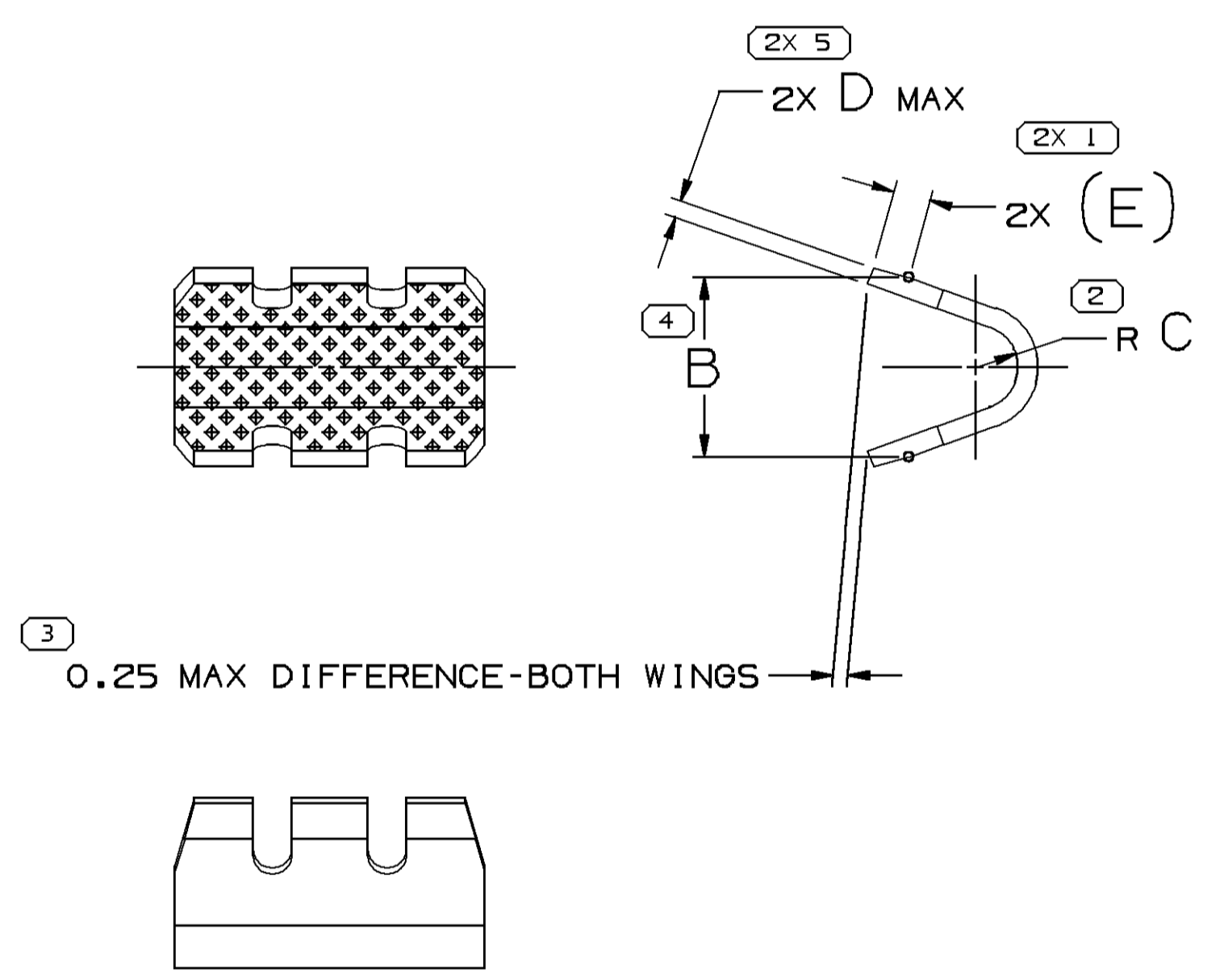
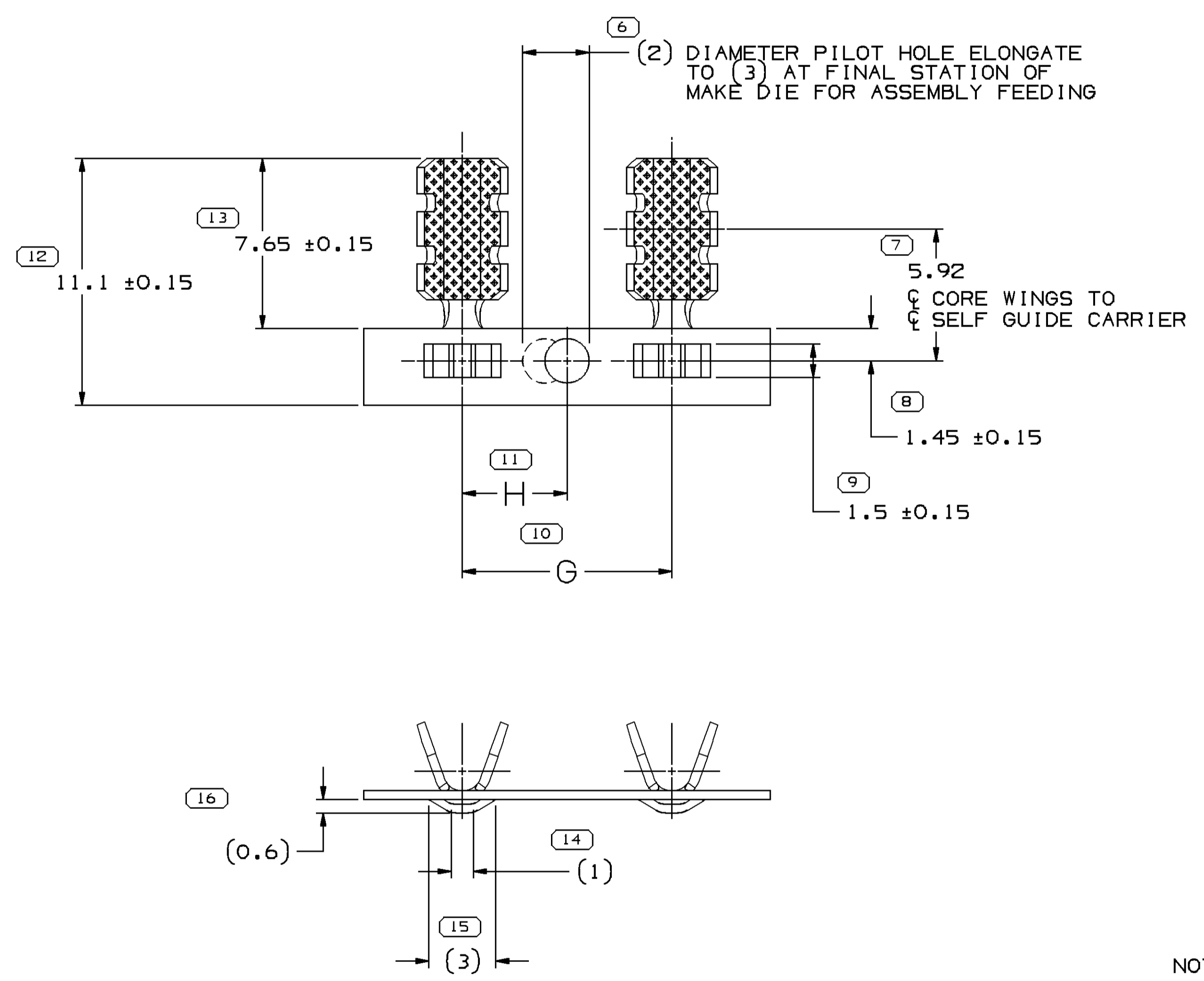
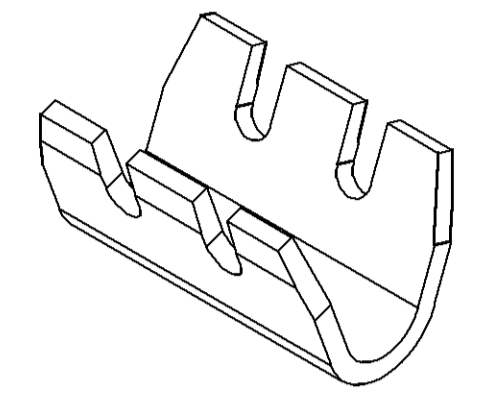


SYMBOL DEFINITION		MISSING SYMBOLS	
A DIMENSION WITHOUT AN INSPECTION REPORT SYMBOL () DOES NOT REQUIRE INSPECTION. IT MAY BE CONTROLLED ON THE INDIVIDUAL COMPONENT DRAWING.	TOTAL NO OF INSPECTIONS REQUIRED	NO MISSING SYMBOL NUMBER	18
	LAST NO. USED		16

DWG STATUS				REVISION HISTORY			AUTH		DR		APVD	
DATE	STG	REV	N/P	CHG	ZONE							
26FE07	R	13	-	-		ALL ACTIVE PARTS - CREATED PART DRAWING	400697	AC	FR	PYP		
12JN07	R	14	-	-		ALL PARTS - REDRAWN TO PD; 13652872 - RELEASED	401665	ECB	AUG	GGI		
29AP08	R	15	-	-		ALL ACTIVE PARTS - ADDED CARRIER STRIP OPTIONAL CONSTRUCTION TYPE 102	404514	LHT	GEM	LHT		
05AU08	R	16	-	-		ALL ACTIVE PARTS - REMOVED CARRIER STRIP OPTIONAL CONSTRUCTION TYPE 102	405648	LHT	VMR	LHT		
28OC08	R	17	-	-		12064906 - OBSOLETE AND REPLACED BY 13652872	406605	MDH	FKV	JAW		
09FE09	R	18	-	-		ALL ACTIVE PARTS - UPDATED MAT'L CALLOUT; 12064904-05 - OBSOLETE	407307	JTV	AUG	RAP		
20AP09	R	19	-	-		12064904 - REINSTATED	407792	RRR	JAA	RRR		
19JN09	R	20	-	-		12064904 - OBSOLETE	408238	RRR	JVM	RRR		
24JA12	R	21	-	-		ALL ACTIVE PARTS - ADDED "CABLE SIZE (MM²)" COLUMN ON CHART	416803	JGM	JAA	RSB		



CARRIER STRIP VIEW-TYPE 101
CARRIER STRIP OPTIONAL CONSTRUCTION
SCALE 6:1

NOTES
1. UNLESS OTHERWISE SPECIFIED AND/OR INDICATED:
DIMENSIONS ARE TO FACE OF VIEW SHOWN AND AUTOMATICALLY ROUNDED BY COMPUTER FOR INSPECTION (SEE MATH MODEL FOR PRECISE DIMENSIONS). FOR ALL OTHER DIMENSIONS NOT SHOWN BUT REQUIRED FOR TOOL BUILD, SEE MATH MODEL FOR PRECISE TOOL PATH DATA.

PART NO	REV	N/P	STATUS	MAT'L SIZE	MAT'L SPEC	PART NO	REV	N/P	STATUS	MAT'L SPEC	SIZE (MM²)	B _{±0.25}	C _{±0.15}	D _{MAX}	(E)	G _{±0.15}	H _{±0.15}
-	-	-	-	0.406 X 11.13	COPPER ALLOY	12124369	A5	-	-	TIN PLATED COPPER ALLOY	0.35 - 0.8	2.4	0.5	0.35	0.76	9.42	4.71
-	-	-	-	0.406 X 11.13	COPPER ALLOY	12124033	A	-	OBSOLETE	TIN PLATED COPPER ALLOY	-	2.4	0.5	0.35	0.76	16.51	8.26
12064906	B4	-	OBSOLETE	0.406 X 11.13	COPPER ALLOY	13652872	01	AD	-	TIN PLATED COPPER ALLOY	4 - 6	5.84	1.98	0.35	0.76	16.51	8.26
12064905	B4	-	OBSOLETE	0.406 X 11.13	COPPER ALLOY	12084689	A5	-	-	TIN PLATED COPPER ALLOY	3 - 5	4.57	1.39	0.35	0.76	16.51	8.26
12064904	C6	-	OBSOLETE	0.406 X 11.13	COPPER ALLOY	12084688	B5	-	-	TIN PLATED COPPER ALLOY	0.8 - 2	3.68	0.88	0.35	0.76	9.42	4.71

DIMENSIONAL RANGE (MM)	CHART 'D'
FROM 0	> 12
TO 12	> 12

DWG TYPE		PART DRAWING	
STYLE		DISTR CODE	D
VOLUME (CPI)			
UNLESS OTHERWISE SPECIFIED			
THIS DOCUMENT IS IN ACCORDANCE WITH ASME Y14.5M-1994 AS AMENDED BY THE 2001 GLOBAL DIMENSIONING AND TOLERANCING ADDENDUM-2001. SEPARATE PATTERNS OF FEATURES MAY BE GAGED SEPARATELY REGARDLESS OF DATUM REFERENCES.			
ALL DIMENSIONS ARE IN MILLIMETERS			
THIRD ANGLE PROJECTION	DO NOT SCALE	USE MATH DATA	NX

DELPHI	
DELPHI PACKARD ELECTRICAL/ELECTRONIC ARCHITECTURE WARREN, OH	
DR	DATE
APVD1 A. CARBONEY	26FE07
APVD2 FCO. RESENDIZ	02MR07
APVD3 P. YABUR	09MR07
APVD4	
APVD5	
SUBSTANCES OF CONCERN AND RECYCLED CONTENT PER DELPHI 10949001	
MATERIAL SEE CHART	
DRAWING NAME	
TAXI TERM SPLICE	
DRAWING NUMBER	
12064907	
SIZE	SCALE
A1	8:1
FRAME NO	SHEET NO
1 OF 1	1 OF 1
STG	REV
R	21
N/P	-

Mouser Electronics

Authorized Distributor

Click to View Pricing, Inventory, Delivery & Lifecycle Information:

[Aptiv:](#)

[12084688-L](#) [12084689-L](#)