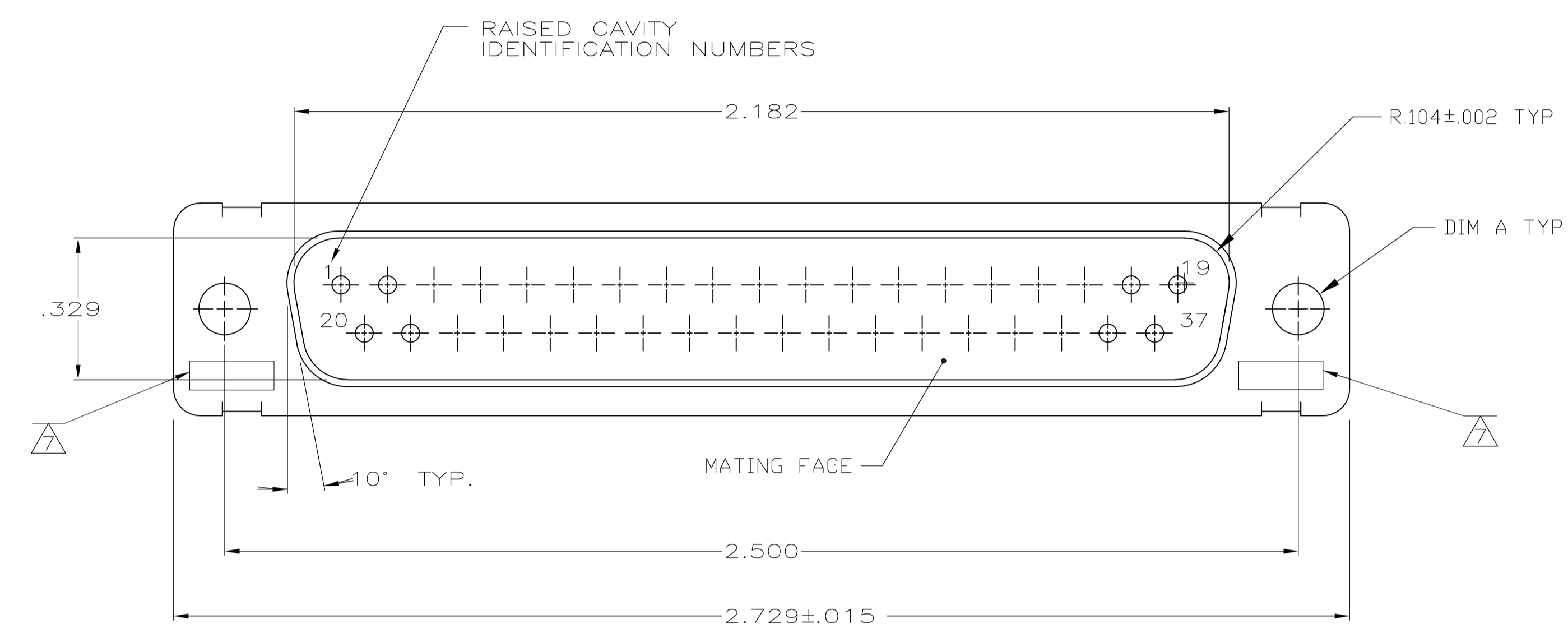
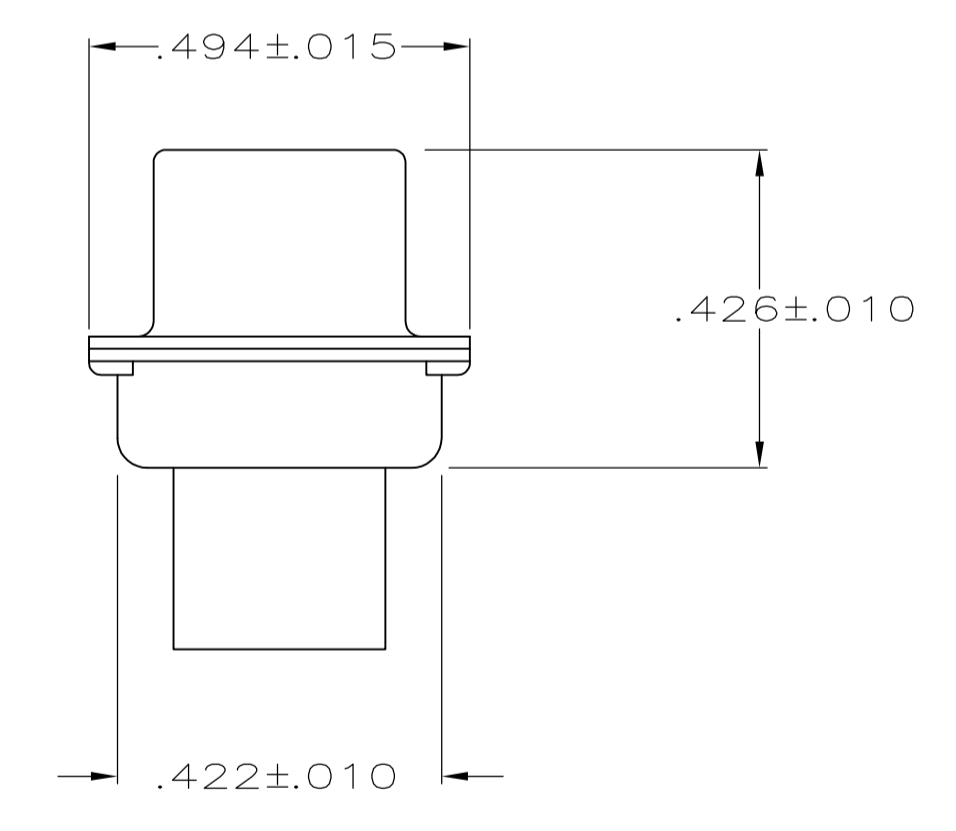
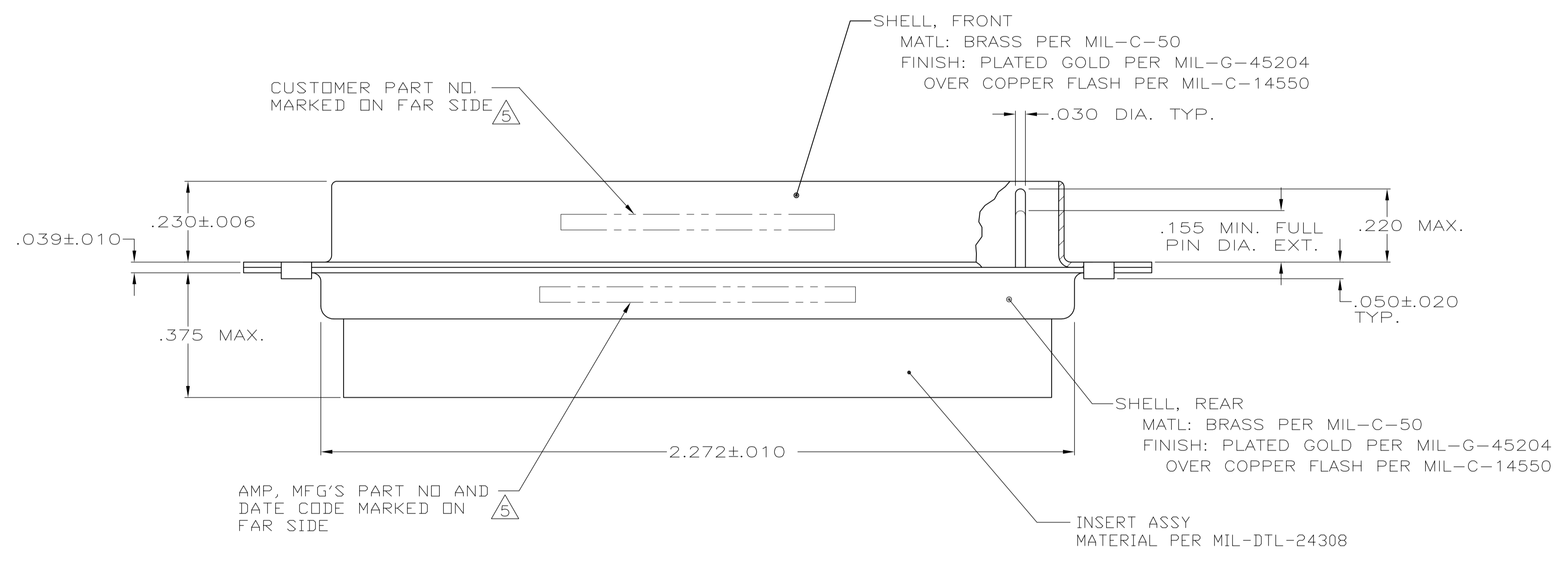


LOC		DIST		REVISIONS			
P	LTR	DESCRIPTION	DATE	DN	APVD	CT	CD
N	REV PER ECO	15-016064	11-9-15	CT	CD		



- ⚠ THIS PLUG WILL MATE WITH ANY RECEPTACLE CONNECTOR WITH THE SAME INSERT ARRANGEMENT AS DEFINED BY MS18275-1.
- 2. MAXIMUM WIRE INSULATION TO BE USED WITH THIS PLUG IS .072 DIA.
- 3. BERYLLIUM COPPER RETENTION CLIPS (37) ARE INCLUDED IN INSERT ASSEMBLY.
- 4. CONNECTOR SUPPLIED WITHOUT CONTACTS; SHOWN FOR ILLUSTRATION ONLY.
- ⚠ FAR SIDE REFERS TO WIDE SIDE OF KEYSTONE.
- ⚠ THESE CONNECTORS ARE QUALIFIED TO GODDARD SPACE FLIGHT CENTER SPECIFICATION S-311-P-4.
- ⚠ UL/CSA DESIGNATION STAMPED IN THIS AREA, OPTIONAL.
- ⚠ RESTRICTED TO CAE ELECTRONICS ONLY.



REMARKS	DIA A	MARKED CUSTOMER P/N	MARKED AMP P/N	TE P/N
⚠	.120	570513-9	206802-6	206802-6
⚠	.120	311P409-4P-B-12	206802-2	206802-5
⚠	.120	122137P37P	206802-4	206802-4
⚠	.154	-	206802-3	206802-3
⚠	.120	311P409-4P-B-12	206802-2	206802-2
⚠	.154	311P409-4P-B-15	206802-1	206802-1

THIS DRAWING IS A CONTROLLED DOCUMENT.

DIMENSIONS: INCHES. TOLERANCES UNLESS OTHERWISE SPECIFIED:

0. PLC	± .005
1. PLC	± .005
2. PLC	± .005
3. PLC	± .005
4. PLC	± .005
ANGLES	± .005

MATERIAL: SEE CALLOUTS. FINISH: SEE CALLOUTS.

WEIGHT: --. SIZE: A1. CAGE CODE: 00779. DRAWING NO: 206802. CUSTOMER DRAWING.

DIN: T. WIEST 12-9-88. CHK: F. BALLEW 1-26-88. NAME: F. BALLEW 1-26-88. PRODUCT SPEC: PLUG FOR PIN CONTACTS. APPLICATION SPEC: SIZE 4, (37 POSITION). RESTRICTED TO: --. SCALE: 4:1. SHEET: 1 OF 1. REV: N.

**STE** TE Connectivity

# Mouser Electronics

Authorized Distributor

Click to View Pricing, Inventory, Delivery & Lifecycle Information:

[TE Connectivity:](#)

[206802-1](#)