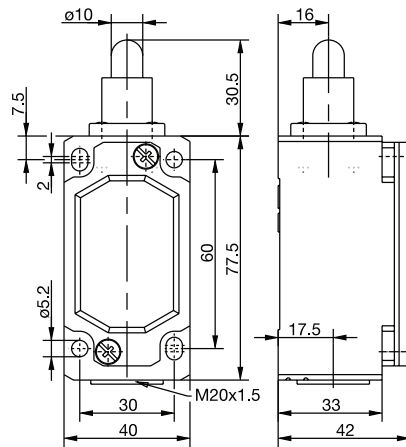


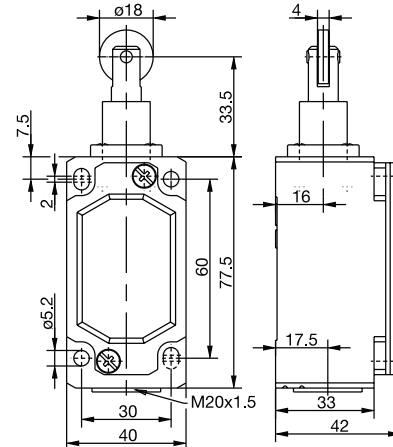
ENM2 Series



IW (Form B)



RIW (Form C)



Switching Operation	Slow Action	Snap Action	Slow Action	Snap Action
1 NC / 1 NO Contacts	608.7102.001 ENM2-U1Z IW 	608.7352.002 ENM2-SU1Z IW 	608.7117.004 ENM2-U1Z RIW 	608.7367.005 ENM2-SU1Z RIW
2 NC Contacts	608.7802.003 ENM2-A2Z IW 	-	608.7817.006 ENM2-A2Z RIW 	608.7867.051 ENM2-SA2Z RIW
2 NO Contacts	608.7802.021 ENM2-E2 IW 	-	-	-
1 NC / 1 NO Contacts Overlapping	608.7302.027 ENM2-UV1Z IW 	-	-	-

Replacement actuator: **391.8020.584** **391.8170.587**

	IW (Form B)		RIW (Form C)	
	Slow Action	Snap Action	Slow Action	Snap Action
Maximum Switching Voltage	240V	240V	240V	240V
Max. Switching Amps (up to)*	10A	10A	10A	10A
B10d (up to)*	20 Million	20 Million	20 Million	20 Million
Mechanical Service Life (up to)*	10 x 10 ⁶	10 x 10 ⁶	10 x 10 ⁶	10 x 10 ⁶
Switching Frequency	≤ 100/min	≤ 100/min	≤ 100/min	≤ 100/min
Operating Temperature	-30 °C to +80 °C	-30 °C to +80 °C	-30 °C to +80 °C	-30 °C to +80 °C
Protection Rating	IP65	IP65	IP65	IP65
Utilization Category (up to)*	AC-15, Ue/Ue 240V 3A	AC-15, Ue/Ue 240V 3A	AC-15, Ue/Ue 240V 3A	AC-15, Ue/Ue 240V 3A
Rate Insulation Voltage	400VAC	400VAC	400VAC	400VAC

* Depending on switching system - see technical information for details



Special features/variants (on request)

- Also available with following contacts:
2 NC / 1 NO with overlap
1 NC / 2 NO with overlap

Special features/variants (on request)

- Available with different directions
- High temperature range
- Different roller diameters and contact types

Drawing dimensions in mm

Mouser Electronics

Authorized Distributor

Click to View Pricing, Inventory, Delivery & Lifecycle Information:

[Altech:](#)

[608.7102.001](#) [608.7302.027](#) [608.7802.003](#) [608.7117.004](#) [608.7367.005](#) [608.7352.002](#) [608.7802.021](#)
[608.7817.006](#) [608.7867.051](#)