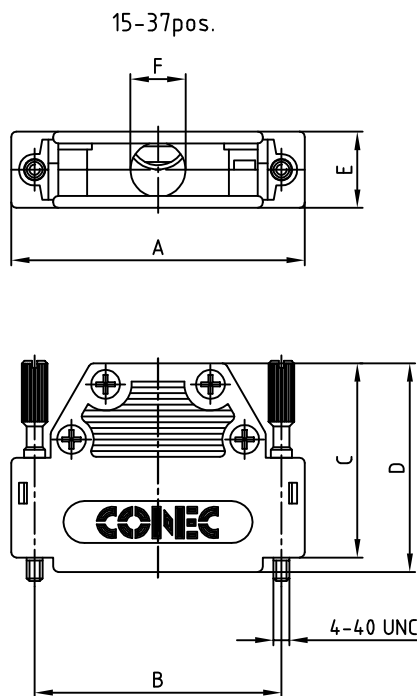
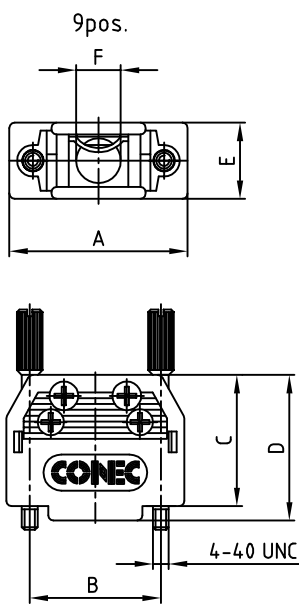
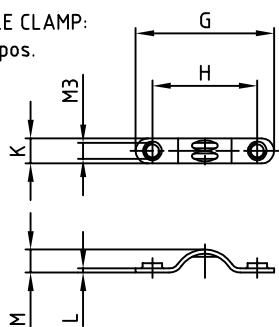


used for: D-SUB



CABLE CLAMP:  
9-37pos.



POS.	A	B	C	D	E	F	G	H	K	L	M	Part NO.
9	34.0	25.0	25.0	27.75	14.5	8.5	17.6	12.0	4.8	0.8	2.6	165X10909X
15	42.3	33.3	37.0	39.75	14.5	10.0	17.6	12.0	4.8	0.8	2.6	165X10919X
25	56.0	47.0	37.0	39.75	14.5	10.5	26.4	20.0	4.8	0.8	4.4	165X10929X
37	72.5	63.5	37.0	39.75	14.5	10.5	26.4	20.0	4.8	0.8	4.4	165X10939X

NOTES:

- HOOD MATERIAL: ABS UL94 V0, METALLIZED
- SCREWS: BRASS, NICKEL-PLATING
- CABLE CLAMPS: STEEL, NICKEL-PLATING
- MAX. MOUNTING TORQUE 0,15 Nm  
RECOMMENDED MOUNTING TORQUE 0,1 Nm

(f)

THIS DRAWING MAY NOT BE COPIED OR REPRODUCED IN ANY WAY, AND MAY NOT BE PASSED ON TO A THIRD PARTY, WITHOUT WRITTEN PERMISSION. OWNERSHIP AND COPYRIGHT OF CONEC GmbH DO NOT ALTER CAD DRAWING BY HAND

tolerance		dim. in mm	
2011	date	name	
1 x f	Ä 6805	27.07.2017	Lehmen, drawn
1 x e	Ä 6403	09.11.2016	Lehmen, appd.
2 x d	Ä 3961	06.04.2011	K,H norm
2 x c	Ä 3525	14.12.2009	Henne, d-old
3 x b	Ä 1898	08.12.2003	Lehmen,
a	Original		
rev.	description	date	name

scale:	2:1
material:	SEE SPECIFICATION
title:	PLASTIC HOOD 9-37pos.
dwg no:	16K1A972
part no:	SEE TABLE

RoHS compliant



DIN-A  
3  
sh: 1/1

# Mouser Electronics

Authorized Distributor

Click to View Pricing, Inventory, Delivery & Lifecycle Information:

[CONEC:](#)

[165X10269X](#) [165X10909X](#) [165X10919X](#) [165X10939X](#) [165X10249X](#)