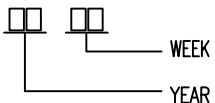


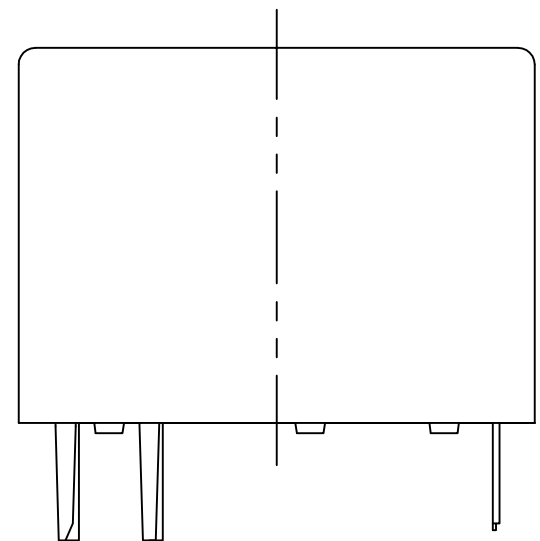
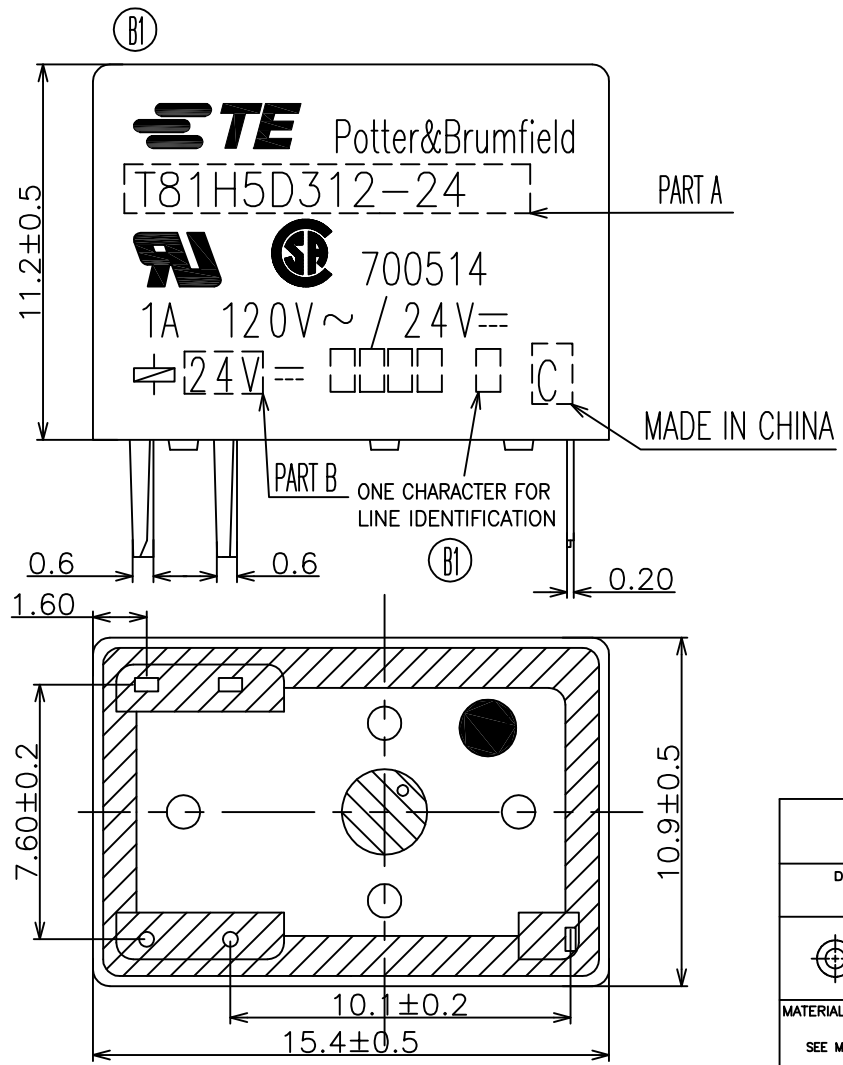
LOC HB	DIST	REVISIONS						
		P	LTR	DESCRIPTION	DATE	DWN	APVD	
		B1		1.CHANGE TE LOGO 2.ADD LINE IDENTIFICATION 3.PN OBSOLETE 4.TERMINALS TOLERANCE CLARIFICATION	ECO-11-018616	03-MAY-12	P.L	BH.Y




GENERAL TOLERANCE

Diagram dimension	Tolerance
0.99mm max.	±0.1mm
1 - 2.99mm	±0.2mm
3mm min.	±0.3mm

NOTE:
 1.LOT NO. SYSTEM AS FOLLOWING:

 2.TERMINAL DIMENSIONS BEFORE SOLDER DIP
 3.FOR THE TIN-PLATING OF THE PINS:
 +0.1mm FOR WIDTH, THICKNESS AND DIAMETER
 +0.5mm FOR LENGTH



DWN ZHUAN,ZHOU		 TE Connectivity	
CHK BANGHUA,YU			
APVD SUYUN ZHANG		T81 H/N CUSTOMER DRAWING	
PRODUCT SPEC		RESTRICTED TO	
APPLICATION SPEC		SIZE A3	RESTRICTED TO
MATERIAL SEE MATERIAL TABLE		GAGE CODE	DRAWING NO. 1393779
FINISH		SCALE 4:1	SHEET 1 OF 2
RESTRICTED DRAWING		REV B1	

LOC HB	DIST	REVISIONS						
		P	LTR	DESCRIPTION	ECN	DATE	DWN	APVD

PC Board Layout(Bottom View)

WIRING DIAGRAM (BOTTOM VIEW)



ACTIVE	6-1393779-9	T81N5D312-05	5V	T81N5D312-05	i
ACTIVE	7-1393779-2	T81N5D312-24	24V	T81N5D312-24	h
ACTIVE	7-1393779-1	T81N5D312-12	12V	T81N5D312-12	g
OBSOLETE	7-1393779-0	T81N5D312-09	9V	T81N5D312-09	f
ACTIVE	5-1393779-9	T81H5D312-24	24V	T81H5D312-24	e
ACTIVE	5-1393779-8	T81H5D312-12	12V	T81H5D312-12	d
OBSOLETE	5-1393779-7	T81H5D312-09	9V	T81H5D312-09	c
OBSOLETE	5-1393779-6	T81H5D312-06	6V	T81H5D312-06	b
ACTIVE	5-1393779-5	T81H5D312-05	5V	T81H5D312-05	a
STATUS	PART NO	DESCRIPTION	PART B	PART A	ITEM

		UV	SEAL (FOR SEALED TYPE)	15
		SEAL GLUE	SEAL (CASE & BASE)	14
		3UEW	MAGNETIC WIRE	13
		HCP WIRE	COIL TERMINAL	12
		Ag ALLOY	B CONTACT	11
		Ag ALLOY	M CONTACT	10
		Ag ALLOY	MOVABLE CONTACT	9
		Cu ALLOY	B TERMINAL	8
		Cu ALLOY	M TERMINAL	7
		Cu ALLOY	MOVABLE SPRING	6
UL94V-0		PBT	BOBBIN	5
UL94V-0		PBT	CASE	4
		CSC C	CORE	3
	CuNi PLATING	SPCC	ARMATURE	2
	CuNi PLATING	SPCC	YOKE	1
INCOMBUSTIBILITY	TREATMENT	MATERIAL	DESCRIPTION	ITEM

ⓑ1

DIMENSIONS: mm	TOLERANCES UNLESS OTHERWISE SPECIFIED: 0 PLC ± 1 PLC ± 2 PLC ± 3 PLC ± 4 PLC ±	DWN	ZHUAN,ZHOU	
		CHK	BANGHUA,YU	
MATERIAL SEE MATERIAL TABLE	FINISH	APVD	SUUNY ZHANG	
		PRODUCT SPEC		
		APPLICATION SPEC		T81 H/N CUSTOMERT DRAWING
		WEIGHT		
		SIZE	A3	RESTRICTED TO
		GAGE CODE		
		DRAWING NO	1393779	
		SCALE	4:1	
		SHEET	2 OF 2	
		REV	B1	

Mouser Electronics

Authorized Distributor

Click to View Pricing, Inventory, Delivery & Lifecycle Information:

[TE Connectivity:](#)

[4-1393779-5](#)