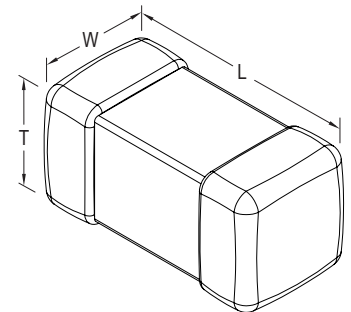


## Sample Kit Contents

| KEMET Part Number | Case Size  | Capacitance | Cap Tolerance | Rated Voltage | Dielectric | Quantity |
|-------------------|------------|-------------|---------------|---------------|------------|----------|
|                   | EIA/Metric | pF          | %             | VDC           |            |          |
| CBR02C108B5GAC    | 0201/0603  | 0.1         | ±0.1          | 50            | C0G        | 100      |
| CBR02C208B5GAC    | 0201/0603  | 0.2         | ±0.1          | 50            | C0G        | 100      |
| CBR02C308B5GAC    | 0201/0603  | 0.3         | ±0.1          | 50            | C0G        | 100      |
| CBR02C408B5GAC    | 0201/0603  | 0.4         | ±0.1          | 50            | C0G        | 100      |
| CBR02C508B5GAC    | 0201/0603  | 0.5         | ±0.1          | 50            | C0G        | 100      |
| CBR02C608B5GAC    | 0201/0603  | 0.6         | ±0.1          | 50            | C0G        | 100      |
| CBR02C708B5GAC    | 0201/0603  | 0.7         | ±0.1          | 50            | C0G        | 100      |
| CBR02C808B5GAC    | 0201/0603  | 0.8         | ±0.1          | 50            | C0G        | 100      |
| CBR02C908B5GAC    | 0201/0603  | 0.9         | ±0.1          | 50            | C0G        | 100      |
| CBR02C109B5GAC    | 0201/0603  | 1.0         | ±0.1          | 50            | C0G        | 100      |
| CBR02C129B5GAC    | 0201/0603  | 1.2         | ±0.1          | 50            | C0G        | 100      |
| CBR02C159B5GAC    | 0201/0603  | 1.5         | ±0.1          | 50            | C0G        | 100      |
| CBR02C189B5GAC    | 0201/0603  | 1.8         | ±0.1          | 50            | C0G        | 100      |
| CBR02C209B5GAC    | 0201/0603  | 2.0         | ±0.1          | 50            | C0G        | 100      |
| CBR02C229B5GAC    | 0201/0603  | 2.2         | ±0.1          | 50            | C0G        | 100      |
| CBR02C279B5GAC    | 0201/0603  | 2.7         | ±0.1          | 50            | C0G        | 100      |
| CBR02C309B5GAC    | 0201/0603  | 3.0         | ±0.1          | 50            | C0G        | 100      |
| CBR02C339B5GAC    | 0201/0603  | 3.3         | ±0.1          | 50            | C0G        | 100      |
| CBR02C399B5GAC    | 0201/0603  | 3.9         | ±0.1          | 50            | C0G        | 100      |
| CBR02C409B5GAC    | 0201/0603  | 4.0         | ±0.1          | 50            | C0G        | 100      |
| CBR02C479B5GAC    | 0201/0603  | 4.7         | ±0.1          | 50            | C0G        | 100      |
| CBR02C509C5GAC    | 0201/0603  | 5.0         | ±0.25         | 50            | C0G        | 100      |
| CBR02C569C5GAC    | 0201/0603  | 5.6         | ±0.25         | 50            | C0G        | 100      |
| CBR02C609C5GAC    | 0201/0603  | 6.0         | ±0.25         | 50            | C0G        | 100      |
| CBR02C689C5GAC    | 0201/0603  | 6.8         | ±0.25         | 50            | C0G        | 100      |
| CBR02C709C5GAC    | 0201/0603  | 7.0         | ±0.25         | 50            | C0G        | 100      |
| CBR02C809C5GAC    | 0201/0603  | 8.0         | ±0.25         | 50            | C0G        | 100      |
| CBR02C829C5GAC    | 0201/0603  | 8.2         | ±0.25         | 50            | C0G        | 100      |
| CBR02C909C5GAC    | 0201/0603  | 9.0         | ±0.25         | 50            | C0G        | 100      |
| CBR02C100J5GAC    | 0201/0603  | 10          | ±5            | 50            | C0G        | 100      |
| CBR02C120J5GAC    | 0201/0603  | 12          | ±5            | 50            | C0G        | 100      |
| CBR02C150J5GAC    | 0201/0603  | 15          | ±5            | 50            | C0G        | 100      |
| CBR02C180J5GAC    | 0201/0603  | 18          | ±5            | 50            | C0G        | 100      |
| CBR02C200J5GAC    | 0201/0603  | 20          | ±5            | 50            | C0G        | 100      |
| CBR02C220J3GAC    | 0201/0603  | 22          | ±5            | 25            | C0G        | 100      |
| CBR02C240J3GAC    | 0201/0603  | 24          | ±5            | 25            | C0G        | 100      |
| CBR02C270J3GAC    | 0201/0603  | 27          | ±5            | 25            | C0G        | 100      |
| CBR02C300J3GAC    | 0201/0603  | 30          | ±5            | 25            | C0G        | 100      |
| CBR02C330J3GAC    | 0201/0603  | 33          | ±5            | 25            | C0G        | 100      |

## Dimensions – Millimeters (Inches)

| Case Size (in.) | Case Size (mm) | L Length                       | W Width                        | T Thickness                    | B Bandwidth                    | Mounting Technique |
|-----------------|----------------|--------------------------------|--------------------------------|--------------------------------|--------------------------------|--------------------|
| 0201            | 0603           | 0.60 ± 0.03<br>(0.024 ± 0.001) | 0.30 ± 0.03<br>(0.012 ± 0.001) | 0.30 ± 0.03<br>(0.012 ± 0.001) | 0.15 ± 0.05<br>(0.006 ± 0.002) | Solder Reflow Only |



# Mouser Electronics

Authorized Distributor

Click to View Pricing, Inventory, Delivery & Lifecycle Information:

[KEMET:](#)

[CER ENG KIT 32](#)