

This document is the property of Amphenol Corporation and is delivered on the express condition that is not to be disclosed, reproduced or used, in whole or in part, for manufacture or sale by anyone other than Amphenol Corporation without its prior consent, and that no right is granted to disclose or to use any information in this document.

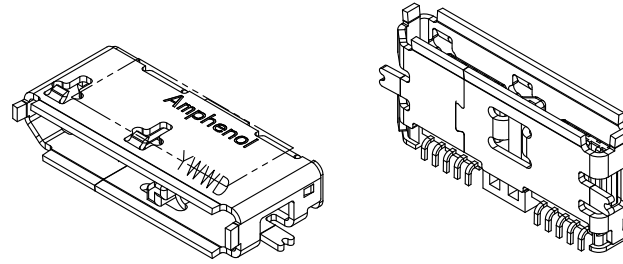
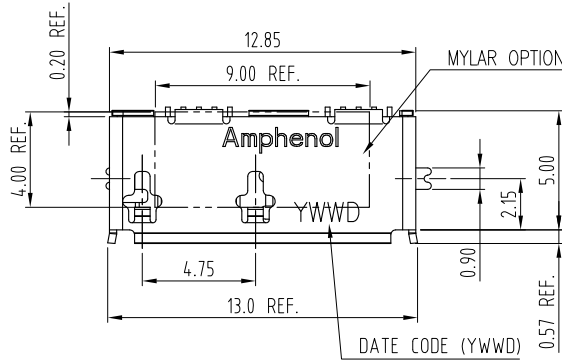
The marking on this product doesn't contain environmental hazardous materials per Material Specification SS-00259 for Sony GP compliant or per directive 2011/65/EU for RoHS compliant or per IEC 61249-2-21 for Halogen-Free compliant.



ORIGINAL



REVISIONS				
SYM	ECN No.	DESCRIPTION	DATE	APPROVED
A		RELEASE TO PRODUCTION	2008.12.02	Sondra Sang
B	NE-10079	MODIFIED SHELL	2010.06.04	Sondra Sang
C	NE-10123	MODIFIED PNS	2010.08.06	Sondra Sang
D	NE-17312	ADDED DATE CODE	2017.12.13	Sondra Sang

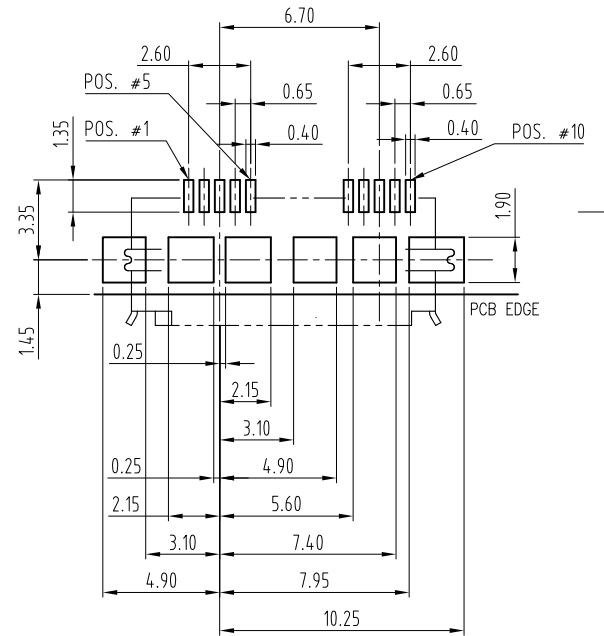
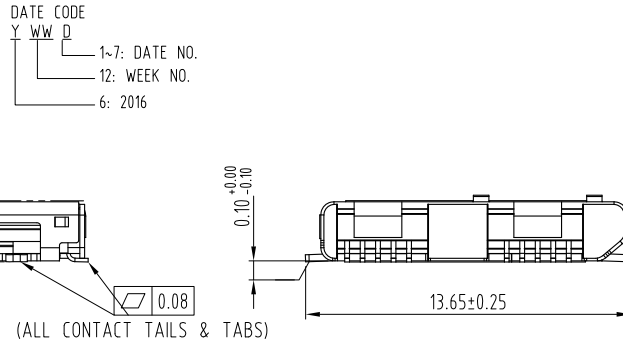
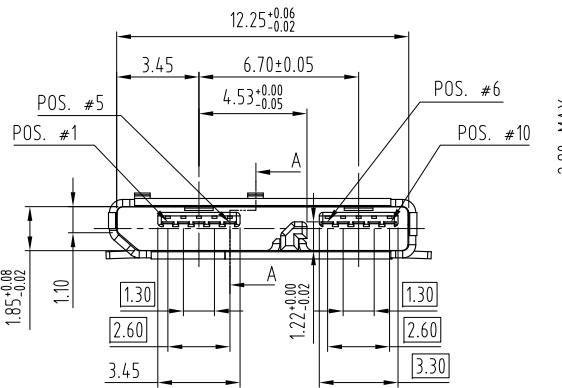


PART NUMBER:
GSB3 431 X 3 X HR

CONTACT FINISH
3: 30µ" GOLD
4: 2µ" GOLD+30µ" Ni-Pd

VARIATION CODE
BLANK: STANDARD T&R PACKING
A: W/ MYLAR, T&R PACKING

INSULATOR AND COLOR
3: LCP, Black



RECOMMENDED PCB LAYOUT- TOP VIEW
(GENERAL TOLERANCE: ±0.05)

NOTES:

- HOUSING: HIGH TEMP. THERMOPLASTIC, UL 94V-0, COLOR- BLACK
- CONTACT: COPPER ALLOY, 30µ" MIN. GOLD PLATED ON CONTACT AREA, GOLD FLASH PLATED ON SOLDERING TAIL, 80µ" MIN. NICKEL UNDER-PLATED OVERALL
- METAL SHELL: STAINLESS STEEL, GOLD FLASH PLATED ON THE SOLDERING TABS
- MYLAR: 4.0 x 9.0 mm
- PACKAGE DRAWING REFER TO PKS-GSB343P001HR
- THIS PRODUCT DOESN'T CONTAIN ENVIRONMENTAL HAZARDOUS MATERIALS PER DIRECTIVE 2011/65/EC FOR ROHS AND PER IEC 61249-2-21 FOR HALOGEN FREE COMPLIANT.

TOLERANCE	DRAWN	APPROVALS	DATE	TITLE	UNIT	SIZE	PART No.
X. X.X ±0.30 X.XX ±0.20 X.XXX ±0.10	DESIGNED	Sondra Sang	12/13/2017	USB 3.0 CONNECTOR MICRO_B, RECEPTACLE R/A SMT TYPE	mm	A3	GSB3 431 33X HR
	CHECKED	Chenny Yeh	12/13/2017				
ANGULAR ±2°	APPROVED	Hank Hsu	12/13/2017		NA	1 OF 1	GSB343133XHR
UNLESS OTHERWISE SPECIFIED	DWG TYPE	CUST DWG	PROJECT CODE T503				

Amphenol®

Amphenol Corporation
Amphenol Taiwan Corporation