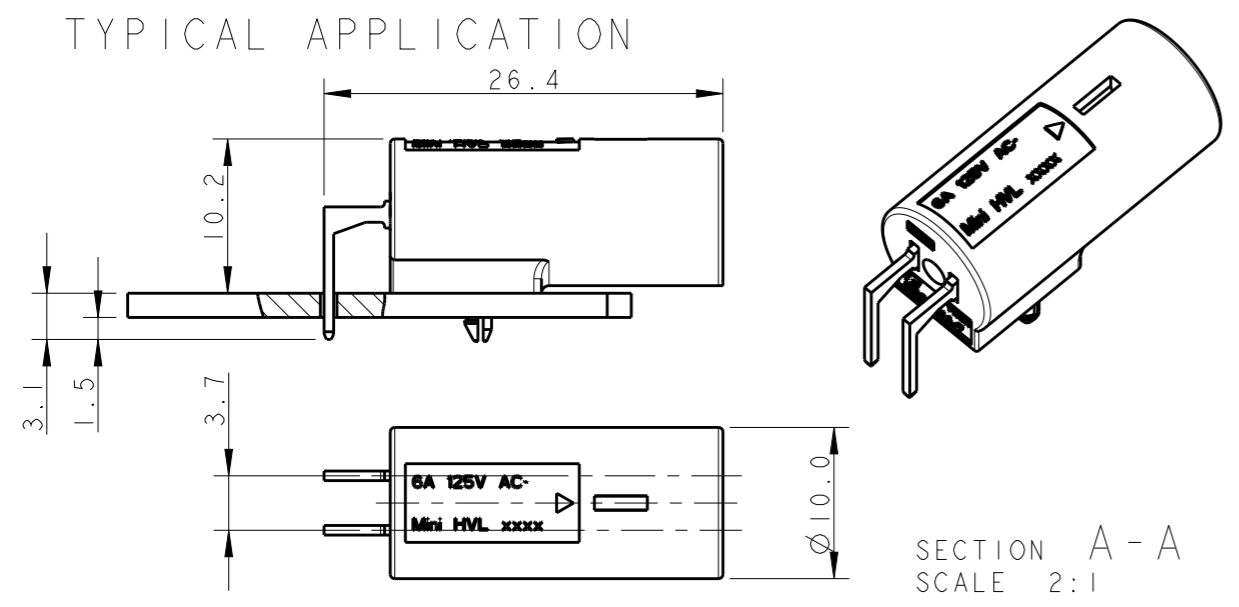


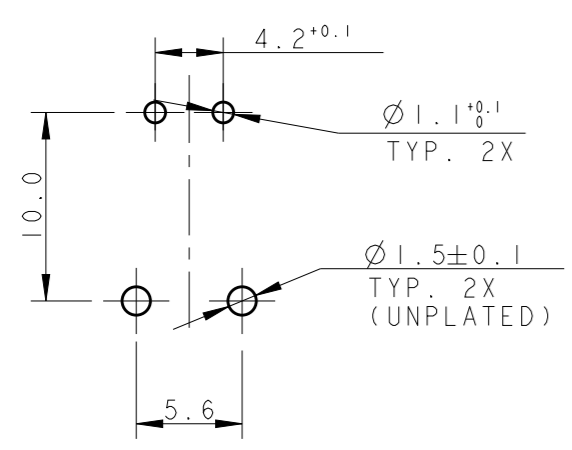
THIS DRAWING IS UNPUBLISHED. RELEASED FOR PUBLICATION 20
 © COPYRIGHT 20 BY - ALL RIGHTS RESERVED.

LOC	DIST	REVISIONS			
P	LTR	DESCRIPTION	DATE	DWN	APVD
	A	FIRST ISSUE	16FEB2010	AV	GT
	A1	REVISED PCB HOLES LAYOUT	04APR2011	AV	GT
	A2	REVISED PER ECR-13-009678	18SEP2013	RS	DD

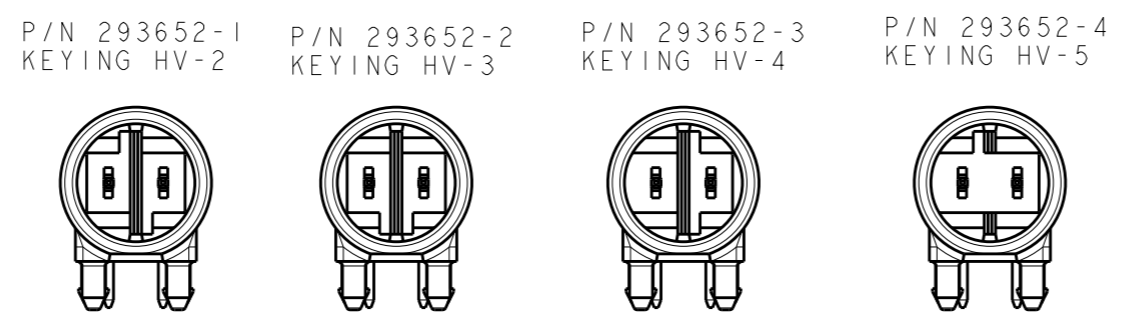
TYPICAL APPLICATION



PRINTED CIRCUIT BOARD LAYOUT FOR LOW VOLTAGE VERSION
 TOLERANCES UNLESS OTHERWISE SPECIFIED ± 0.05
 PRINTED CIRCUIT BOARD THICKNESS: 1.6 mm NOMINAL

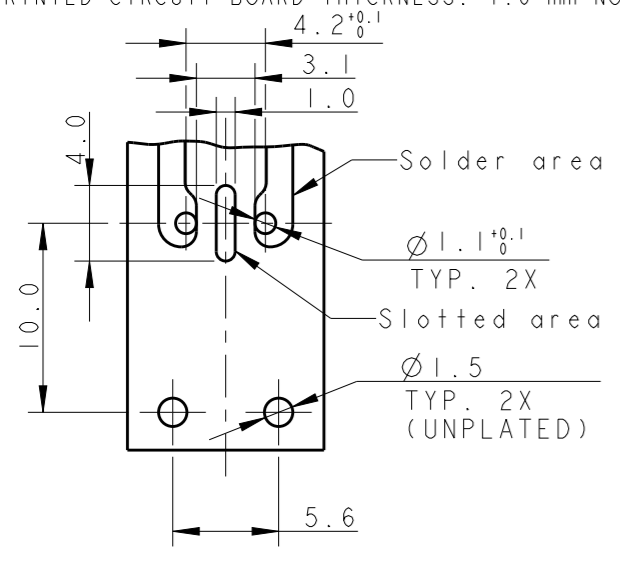


HIGH VOLTAGE

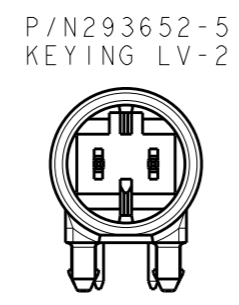


NOTE:
 1) TIN PLATED CONTACTS
 2) MATERIAL HOUSING PBT, 15%GFF, UL 94 V0

PRINTED CIRCUIT BOARD LAYOUT FOR HIGH VOLTAGE VERSION
 TOLERANCES UNLESS OTHERWISE SPECIFIED ± 0.05
 PRINTED CIRCUIT BOARD THICKNESS: 1.6 mm NOMINAL



LOW VOLTAGE



KEYING	REMARKS	PART NUMBER	COLOR
LV-2	LOW-VOLT 7A 42 V DC	293652-5	WHITE
HV-5	HIGH-VOLT 6A 125 V AC	293652-4	WHITE
HV-4	HIGH-VOLT 6A 125 V AC	293652-3	WHITE
HV-3	HIGH-VOLT 6A 125 V AC	293652-2	WHITE
HV-2	SWITCH-KEYING	293652-1	WHITE

THIS DRAWING IS A CONTROLLED DOCUMENT.

DWN: R. FRABONI 20JUN2007
 CHK: J. SALO 11FEB2008
 APVD: L. BATTLO 11FEB2008

PRODUCT SPEC: 108-20294
 APPLICATION SPEC: 114-32102

MATERIAL: - FINISH: -

WEIGHT: -

CUSTOMER DRAWING

STE TE Connectivity

NAME: 7.5 mm PCB CONNECTOR ASSEMBLY 90 DEGREE MALE VERSION FOR USA MARKET

SIZE: A3 CAGE CODE: 00779 DRAWING NO: C-293652 RESTRICTED TO: -

SCALE: 2:1 SHEET: 1 OF 1 REV: A2

Mouser Electronics

Authorized Distributor

Click to View Pricing, Inventory, Delivery & Lifecycle Information:

[TE Connectivity:](#)

[293652-5](#)