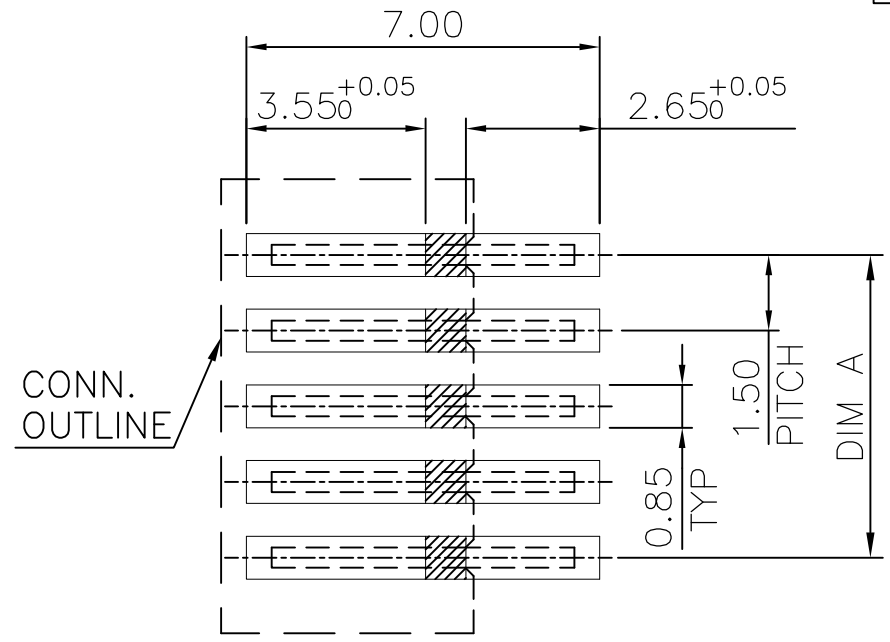
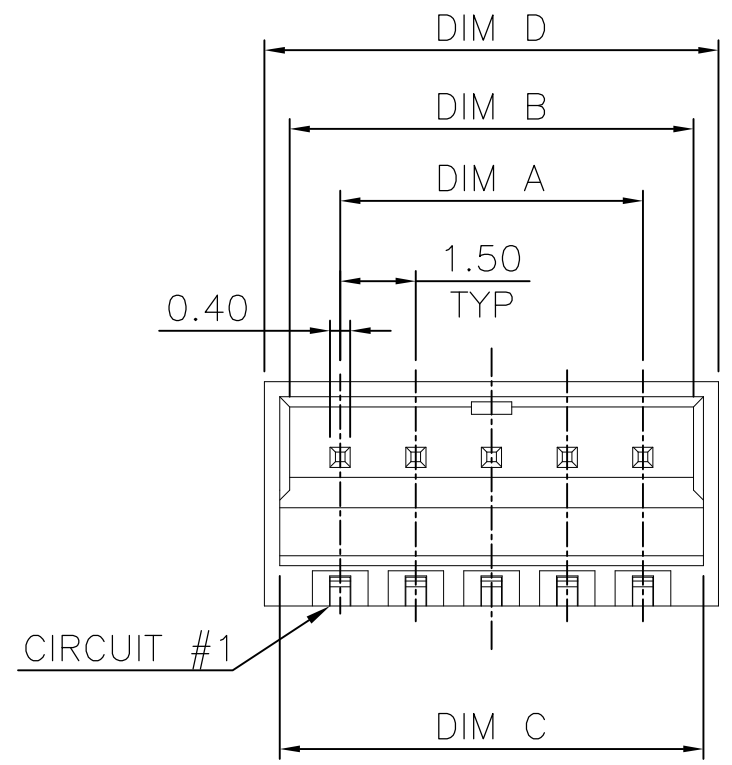


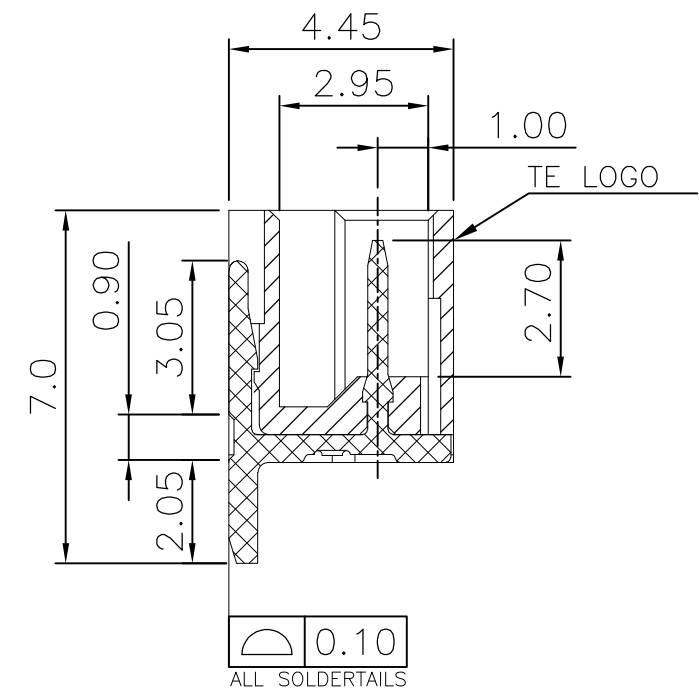
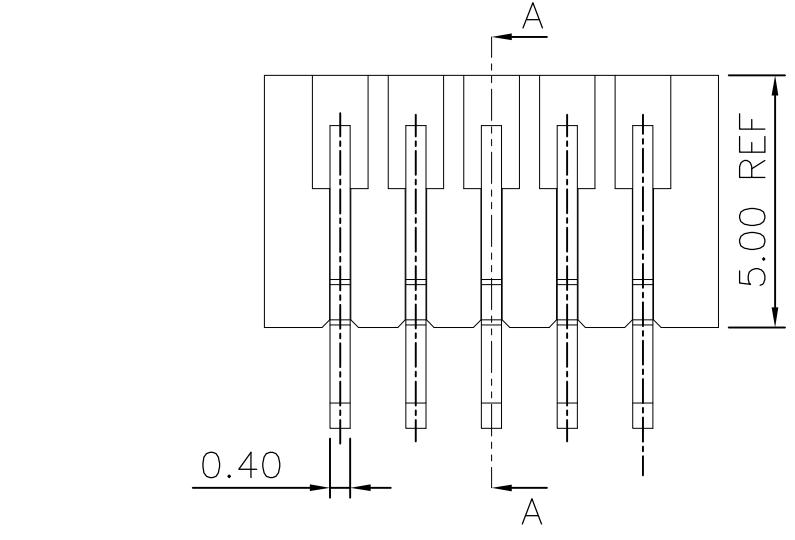
THIS DRAWING IS UNPUBLISHED. RELEASED FOR PUBLICATION
 © COPYRIGHT - BY - ALL RIGHTS RESERVED.

LOC		DIST		REVISIONS				
P	LTR	DESCRIPTION			DATE	DWN	APVD	
	A3	REVISED PER ECO-11-005301			07MAR11	RK	HMR	



WITHOUT SOLDER AREA
 RECOMMENDED PCB LAYOUT
 TOLERANCE: ±0.05

- NOTES:
- MATERIALS:
 HOUSING: THERMOPLASTIC, UL94-V0, COLOR: NATURAL.
 TERMINAL: BRASS, THICKNESS=0.4mm.
 - FINISH:
 TERMINAL: 100μ" MIN. BRIGHT TIN PLATED OVER
 50μ" MIN. NICKEL UNDERPLATED ALL OVER.
 - TERMINAL RETENTION FORCE: 1.0 Kgf MIN.
 - REFLOW SOLDER CAPABLE TO 260°C PER TE CONNECTIVITY SPEC 109-201, CONDITION B.



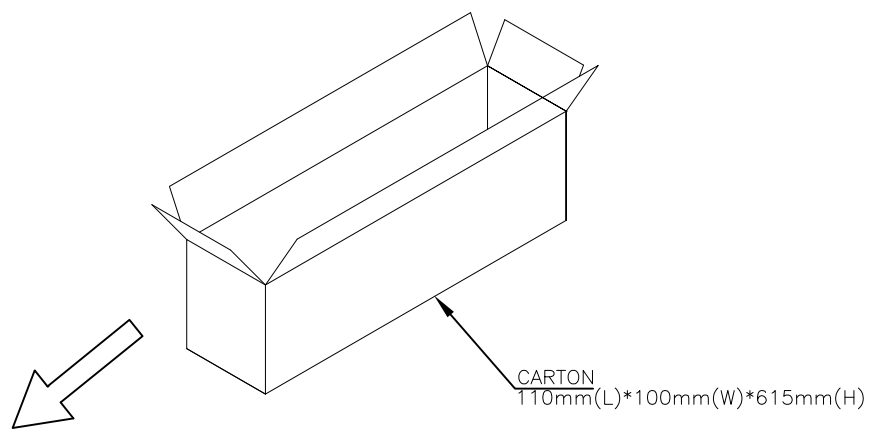
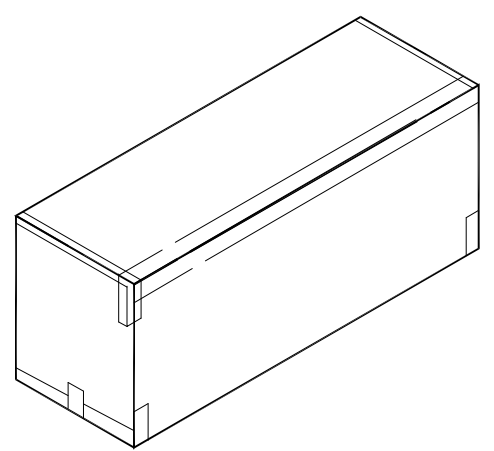
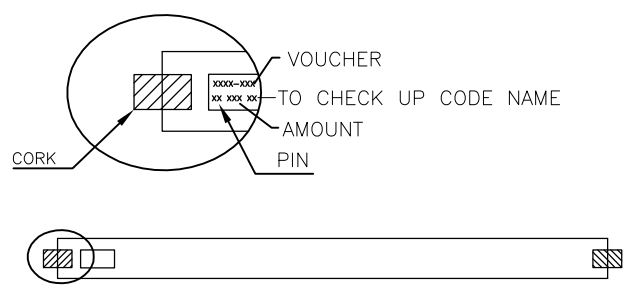
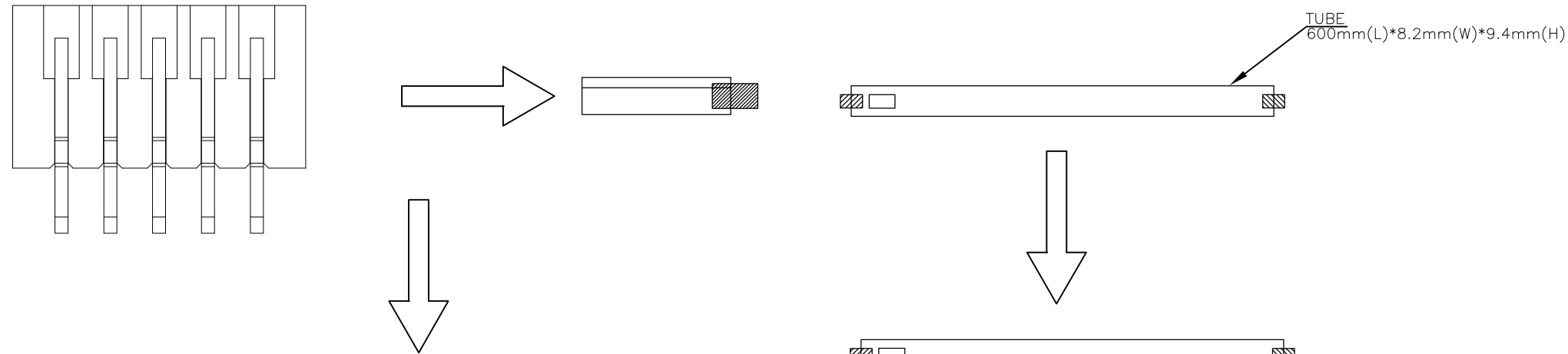
SECTION A-A

PACKAGE	DIMENSIONS					POS.	PART NUMBER
	D	C	B	A			
REEL	24.00	23.40	23.00	21.00	15	6-1775444-5	
	22.50	21.90	21.50	19.50	14	6-1775444-4	
	21.00	20.40	20.00	18.00	13	6-1775444-3	
	19.50	18.90	18.50	16.50	12	6-1775444-2	
	18.00	17.40	17.00	15.00	11	6-1775444-1	
	16.50	15.90	15.50	13.50	10	6-1775444-0	
	15.00	14.40	14.00	12.00	9	5-1775444-9	
	13.50	12.90	12.50	10.50	8	5-1775444-8	
	12.00	11.40	11.00	9.00	7	5-1775444-7	
	10.50	9.90	9.50	7.50	6	5-1775444-6	
	9.00	8.40	8.00	6.00	5	5-1775444-5	
	7.50	6.90	6.50	4.50	4	5-1775444-4	
	6.00	5.40	5.00	3.00	3	5-1775444-3	
	4.50	3.90	3.50	1.50	2	5-1775444-2	
	TUBE	24.00	23.40	23.00	21.00	15	1-1775444-5
22.50		21.90	21.50	19.50	14	1-1775444-4	
21.00		20.40	20.00	18.00	13	1-1775444-3	
19.50		18.90	18.50	16.50	12	1-1775444-2	
18.00		17.40	17.00	15.00	11	1-1775444-1	
16.50		15.90	15.50	13.50	10	1-1775444-0	
15.00		14.40	14.00	12.00	9	1775444-9	
13.50		12.90	12.50	10.50	8	1775444-8	
12.00		11.40	11.00	9.00	7	1775444-7	
10.50		9.90	9.50	7.50	6	1775444-6	
9.00		8.40	8.00	6.00	5	1775444-5	
7.50		6.90	6.50	4.50	4	1775444-4	
6.00		5.40	5.00	3.00	3	1775444-3	
4.50		3.90	3.50	1.50	2	1775444-2	

THIS DRAWING IS A CONTROLLED DOCUMENT.		DWN	19FEB2009		TE Connectivity		
		J. LAI					
		CHK	19FEB2009		NAME EMIX CONN., 1.5mm PITCH HDR, RIGHT ANGLE		
		S. CHIEN					
		APVD	19FEB2009		PRODUCT SPEC 108-57631		
		W. KODAMA					
DIMENSIONS: MM 		TOLERANCES UNLESS OTHERWISE SPECIFIED: 0 PLC ± - 1 PLC ± 0.25 2 PLC ± 0.15 3 PLC ± 0.10 4 PLC ± - ANGLES ± -		QUALIFICATION TEST REPORT 501-57736		SIZE CAGE CODE DRAWING NO A3 00779 C=1775444	
MATERIAL SEE NOTE		FINISH SEE NOTE		WEIGHT - GRAMS CUSTOMER DRAWING		RESTRICTED TO SCALE SHEET 1 OF 3 REV A3	

THIS DRAWING IS UNPUBLISHED. RELEASED FOR PUBLICATION
 © COPYRIGHT - BY - ALL RIGHTS RESERVED.

LOC	DIST	REVISIONS			
P	LTR	DESCRIPTION	DATE	DWN	APVD
		SEE SHEET 1.	-	-	-



20	100	2000	15	1-1775444-5
25	100	2500	14	1-1775444-4
25	100	2500	13	1-1775444-3
25	100	2500	12	1-1775444-2
30	100	3000	11	1-1775444-1
35	100	3500	10	1-1775444-0
35	100	3500	9	1775444-9
40	100	4000	8	1775444-8
45	100	4500	7	1775444-7
55	100	5500	6	1775444-6
60	100	6000	5	1775444-5
75	100	7500	4	1775444-4
95	100	9500	3	1775444-3
125	100	12500	2	1775444-2

PCS/TUBE	TUBES/CARTON	QUANTITY (PCS)	POS.	PART NUMBER
----------	--------------	----------------	------	-------------

THIS DRAWING IS A CONTROLLED DOCUMENT.		DWN	TE Connectivity EMIX CONN., 1.5mm PITCH HDR, RIGHT ANGLE				
DIMENSIONS: MM		CHK				NAME	
TOLERANCES UNLESS OTHERWISE SPECIFIED: 0 PLC ± - 1 PLC ± - 2 PLC ± - 3 PLC ± - 4 PLC ± - ANGLES ± -		APVD				SIZE	
MATERIAL		PRODUCT SPEC				CAGE CODE	DRAWING NO
		APPLICATION SPEC	A3 00779 C=1775444		RESTRICTED TO		
		WEIGHT	CUSTOMER DRAWING		SCALE		
			SHEET 2 OF 3		REV A3		

THIS DRAWING IS UNPUBLISHED.

RELEASED FOR PUBLICATION

-. - .

© COPYRIGHT - BY -

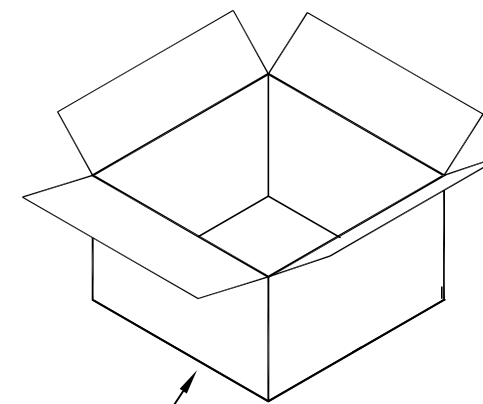
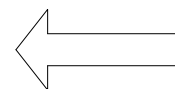
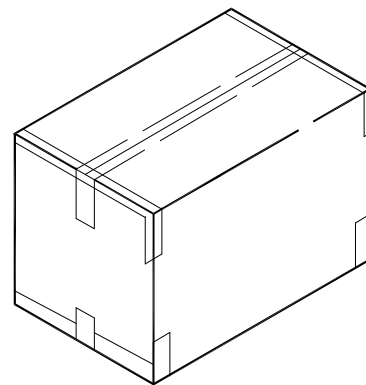
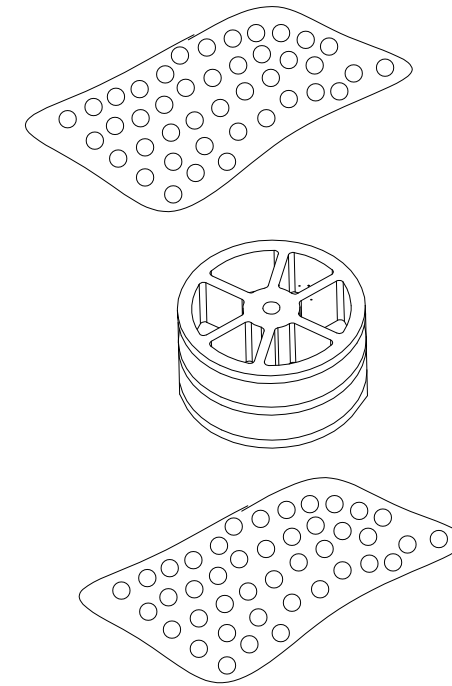
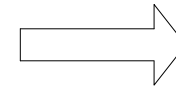
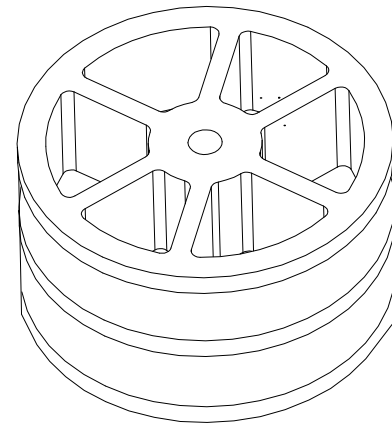
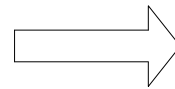
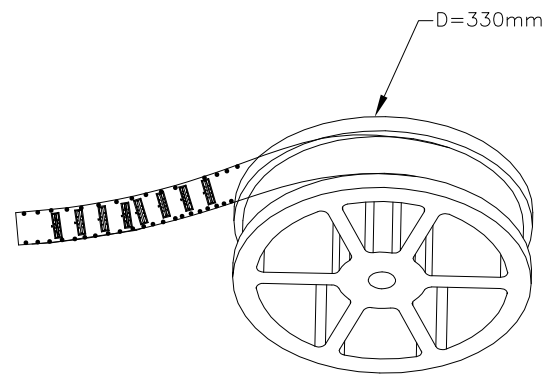
ALL RIGHTS RESERVED.

LOC
DW

DIST
/

REVISIONS

P	LTR	DESCRIPTION	DATE	DWN	APVD
-	-	SEE SHEET 1.	-	-	-



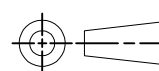
CARTON
335mm(L)*335mm(W)*480mm(H)

1000	4	4000	15	6-1775444-5
1000	4	4000	14	6-1775444-4
1000	4	4000	13	6-1775444-3
1000	4	4000	12	6-1775444-2
1000	4	4000	11	6-1775444-1
1000	4	4000	10	6-1775444-0
1000	6	6000	9	5-1775444-9
1000	6	6000	8	5-1775444-8
1000	6	6000	7	5-1775444-7
1000	6	6000	6	5-1775444-6
1000	6	6000	5	5-1775444-5
1000	9	9000	4	5-1775444-4
1000	9	9000	3	5-1775444-3
1000	9	9000	2	5-1775444-2

PCS/ REEL	REELS/ CARTON	QUANTITY (PCS)	POS.	PART NUMBER
-----------	---------------	----------------	------	-------------

THIS DRAWING IS A CONTROLLED DOCUMENT.

DIMENSIONS:
MM



TOLERANCES UNLESS OTHERWISE SPECIFIED:

0 PLC	± -
1 PLC	± -
2 PLC	± -
3 PLC	± -
4 PLC	± -
ANGLES	± -
FINISH	-

MATERIAL

DWN

CHK

APVD

PRODUCT SPEC

APPLICATION SPEC

WEIGHT

CUSTOMER DRAWING



NAME

EMIX CONN., 1.5mm PITCH
HDR, RIGHT ANGLE

SIZE

CAGE CODE

DRAWING NO

RESTRICTED TO

A3

00779

C=1775444

SCALE

SHEET

3 OF 3

REV A3

Mouser Electronics

Authorized Distributor

Click to View Pricing, Inventory, Delivery & Lifecycle Information:

[TE Connectivity:](#)

[6-1775444-2](#)