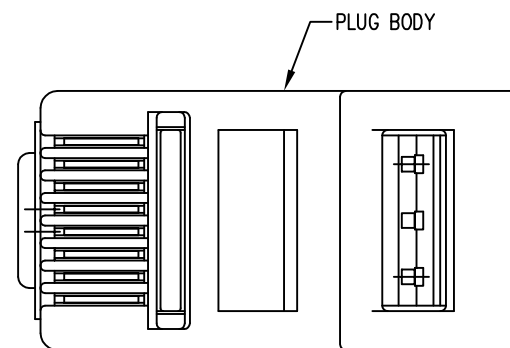


2

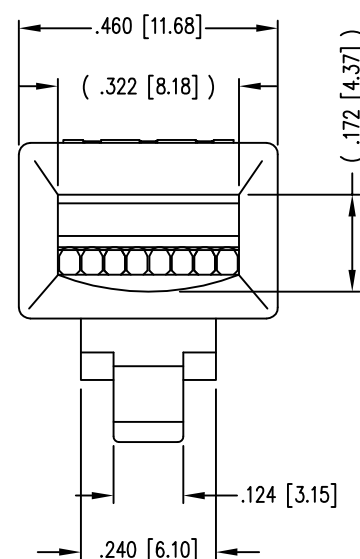
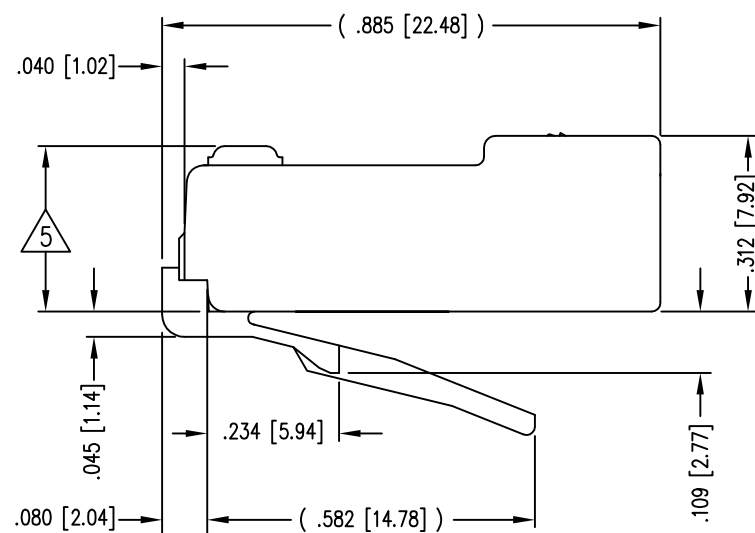
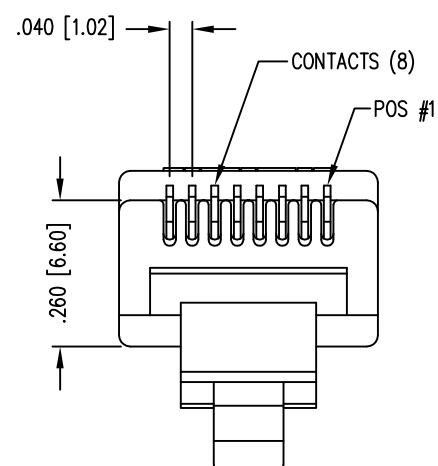
1

DATE	REV	ECN	APP'D. BY
1-5-15	B8	10167	TRM
3-14-16	B9	10607	TRM



B

B



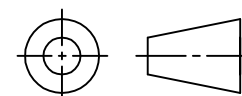
- NOTES:
- MATERIALS:  
 PLUG BODY: POLYCARBONATE, UL 94-V0  
 CONTACTS: PHOSPHOR BRONZE, SELECTIVE GOLD PLATING
  - CONTACTS TERMINATE SOLID OR STRANDED CONDUCTORS UP TO .040 [1.02] OUTSIDE DIAMETER OF INSULATION.
  - FOR PRODUCT SPECIFICATION SEE PR026-01.
  - DIMENSIONS AND TOLERANCES COMPLY WITH TIA-1096 STANDARD.
- △ TERMINATED PLUG HEIGHT: .237 [6.02] ± .005 [0.13] ON CABLE

A

A

BAG OF 100	50 MICRO-INCHES [1.27um]	940-SP-3088R-A190
BULK	50 MICRO-INCHES [1.27um]	940-SP-3088R-A133
PACKAGE	CONTACT PLATING IN MATING AREA	PART NUMBER

THIRD ANGLE PROJECTION



1118 Susquehanna Trail South  
 Glen Rock, PA 17327-9199  
 (717) 235-7512

<http://www.stewartconnector.com>

DO NOT SCALE DRAWING  
 DRAWING IS SUBJECT TO  
 CHANGE WITHOUT NOTICE

TITLE: (940-SP-3088R-A133) EIGHT CONDUCTOR/EIGHT POSITION  
 LINE CORD MODULE WITH RADIAL BACK; COLOR: CLEAR

DIMENSIONS: INCHES [METRIC]  
 UNLESS OTHERWISE SPECIFIED  
 TOLERANCES ARE ±.005 [0.13]  
 ANGLES ARE ± 1°

THIS DRAWING AND THE SUBJECT MATTER SHOWN THEREON ARE CONFIDENTIAL AND THE PROPRIETARY PROPERTY OF STEWART CONNECTOR AND SHALL NOT BE REPRODUCED, COPIED, OR USED IN ANY MANNER WITHOUT PRIOR WRITTEN CONSENT OF STEWART CONNECTOR. ONE OR MORE U.S. PATENTS MAY APPLY TO THIS PRODUCT. FOR DETAILS, PLEASE VISIT: [HTTP://BELFUSE.COM/STEWART/STEWART\\_PATENTS/](http://BELFUSE.COM/STEWART/STEWART_PATENTS/)

DRN BY: TRM DATE 1-24-03

APPD BY: RGC DATE 1-28-03

DWG NO. CT300153 REV. B9

SHEET NO. 1 OF 1



2

1

AutoCAD

# Mouser Electronics

Authorized Distributor

Click to View Pricing, Inventory, Delivery & Lifecycle Information:

Bel:

[940-SP-3088R-A133](#) [940-SP-3088R-A190](#)