

PART NAME HAND HELD ENCLOSURE (STYLE D)

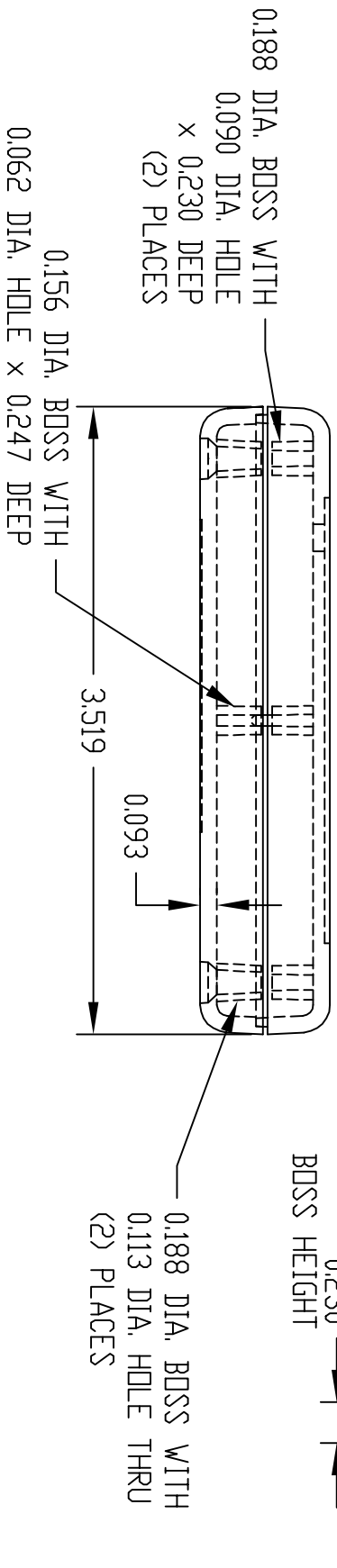
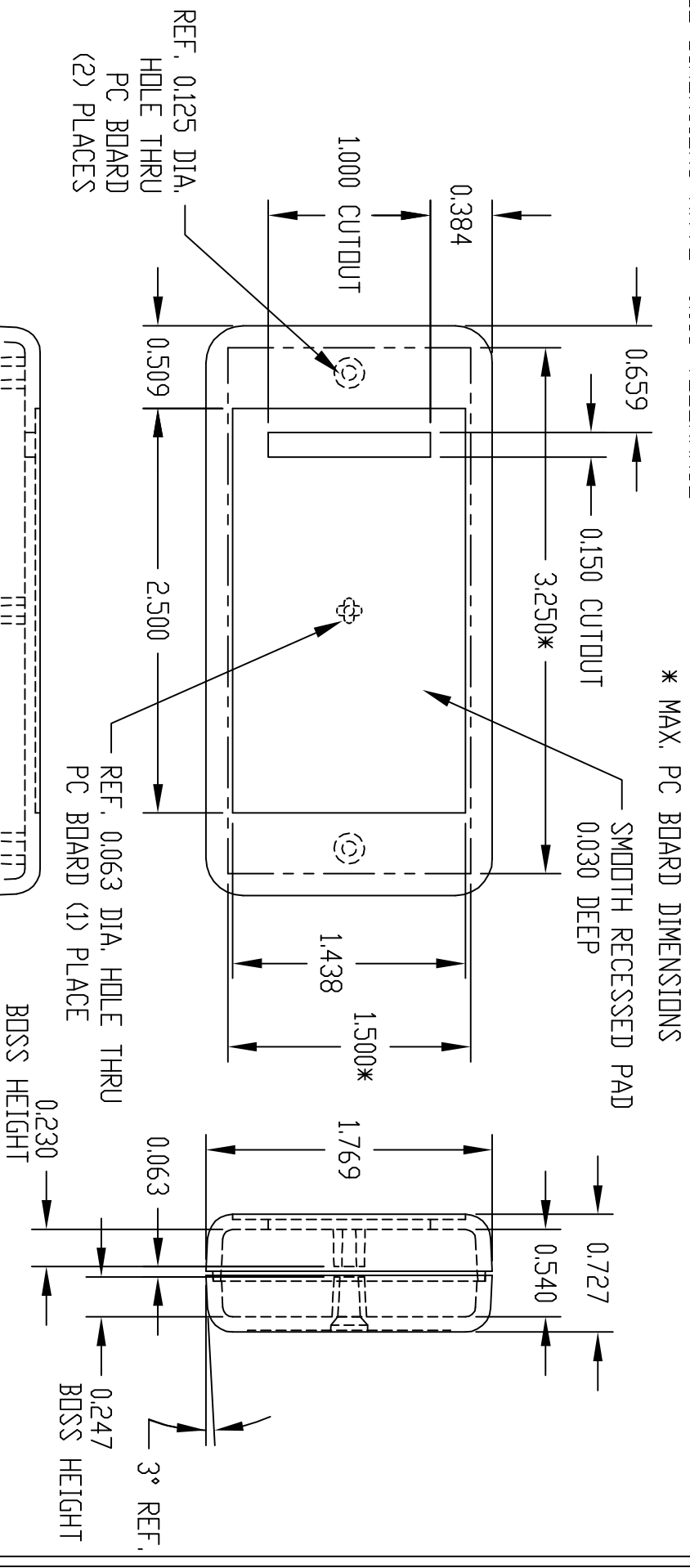
PART No.

HH-3470 & HH-3471

REV. DATE

10-29-08

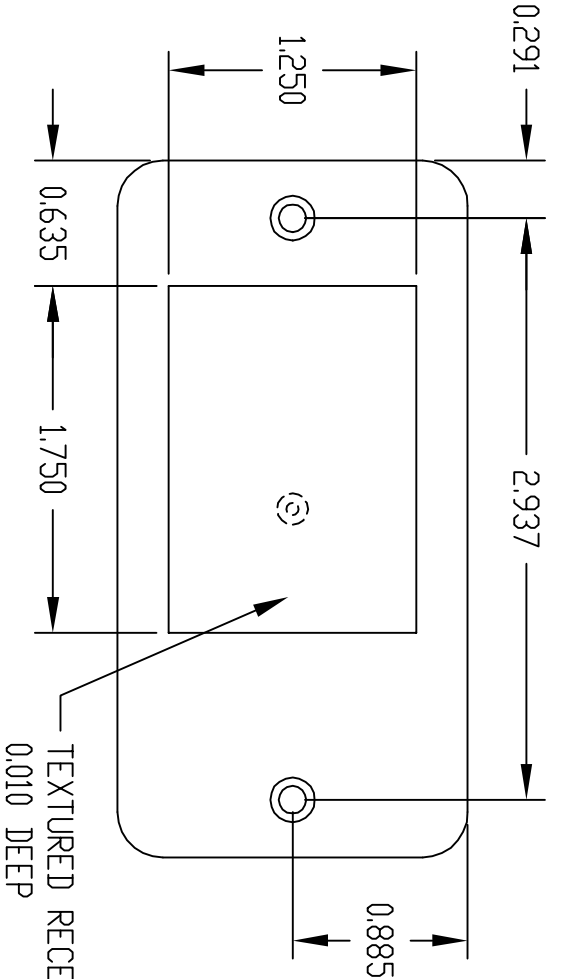
ALL DIMENSIONS HAVE ±0.015 TOLERANCE



MATERIAL: ABS (UL94V-D)
FINISH: BLACK TEXTURED

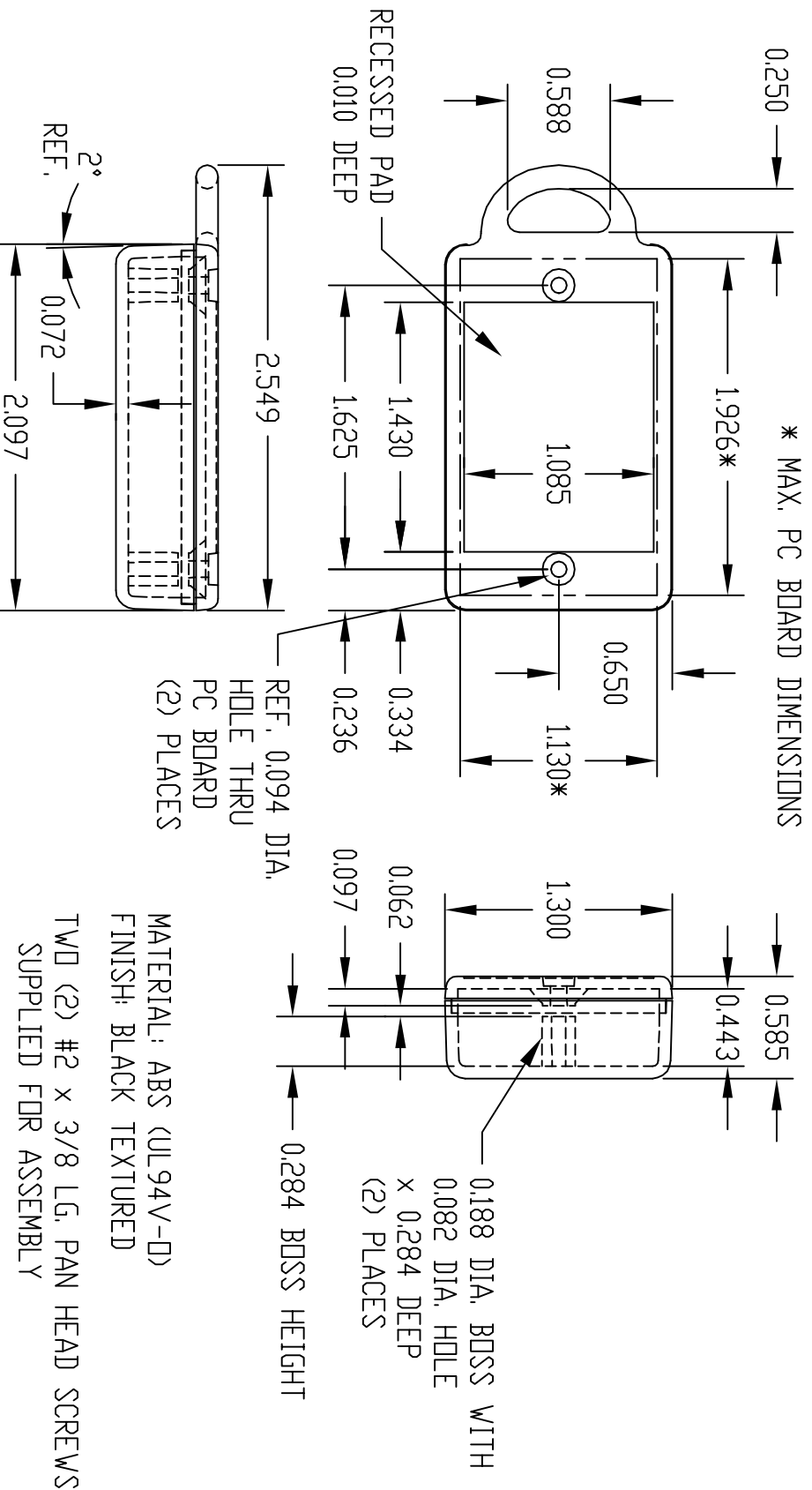
THE 0.150 x 1.000 RECT. CUTOUT IS IN PART No. HH-3470 ONLY.

TWD (2) #4 x 1/2 LG. OVAL HEAD SCREWS SUPPLIED FOR ASSEMBLY



PART NAME	HAND HELD KEYRING (STYLE E)	PART No.	HH-3490	REV. DATE	10-29-08
-----------	-----------------------------	----------	---------	-----------	----------

ALL DIMENSIONS HAVE ±0.015 TOLERANCE



MATERIAL: ABS (UL94V-D)
FINISH: BLACK TEXTURED

TWD (2) #2 x 3/8 LG. PAN HEAD SCREWS SUPPLIED FOR ASSEMBLY

Mouser Electronics

Authorized Distributor

Click to View Pricing, Inventory, Delivery & Lifecycle Information:

[Bud Industries:](#)

[HH-3470](#) [HH-3490](#) [HH-3471](#)