

4

3

2

1

THIS DRAWING IS UNPUBLISHED.

RELEASED FOR PUBLICATION

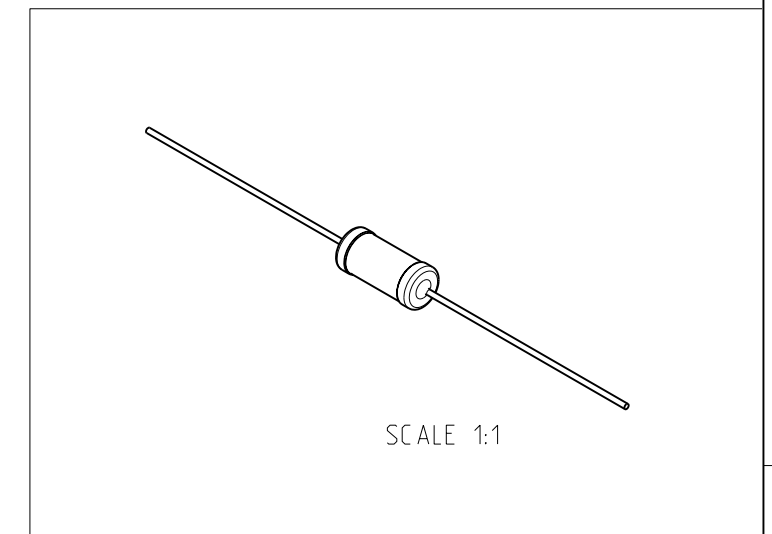
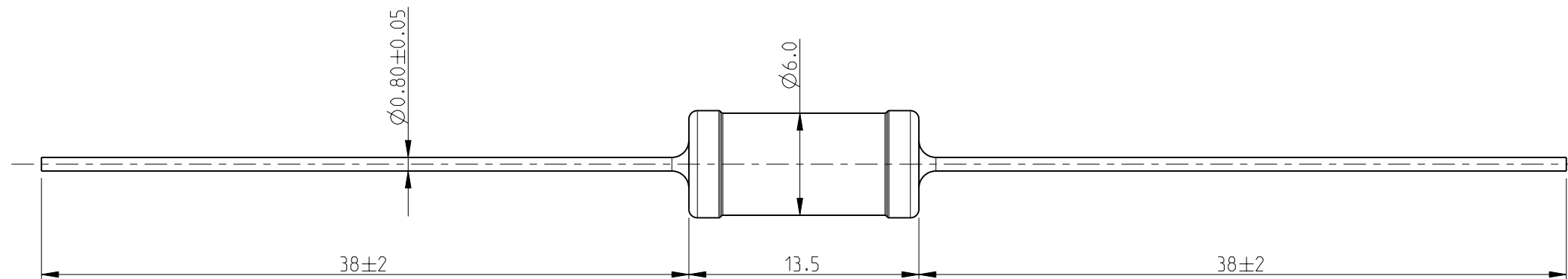
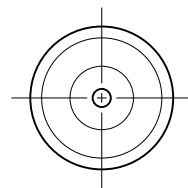
2008


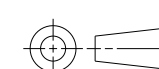
© COPYRIGHT 2008 BY -

ALL RIGHTS RESERVED.

LOC	DIST	REVISIONS			
P	LTR	DESCRIPTION	DATE	DWN	APVD
E	B	BA1	REVISED PER ECO-11-005150	29MAR2011	RK HMR

1. PACKAGING: AMMO PACKED
2. FOR FURTHER INFORMATION SEE DATA SHEET FOR SERIES ER/ERV- HIGH POWER RESISTORS



THIS DRAWING IS A CONTROLLED DOCUMENT.		DWN	SUBHASH.M 28-JUL-09		 TE Connectivity HIGH POWER RESISTORS SERIES ER74				
DIMENSIONS:		CHK	ALLAN.P 28-JUL-09						
mm		APVD	STEPHEN.P 28-JUL-09						
		PRODUCT SPEC	-						
TOLERANCES UNLESS OTHERWISE SPECIFIED:		APPLICATION SPEC	-		SIZE	CAGE CODE	DRAWING NO	RESTRICTED TO	
0 PLC	± 0.2	WEIGHT	-		A3	00779	1623746	-	
1 PLC	± 0.1	CUSTOMER DRAWING		SCALE	3:1		SHEET	1 OF 1	
2 PLC	± -							REV	BA1
3 PLC	± -								
4 PLC	± -								
ANGLES	± 5°								
MATERIAL	-								
FINISH	-								

Mouser Electronics

Authorized Distributor

Click to View Pricing, Inventory, Delivery & Lifecycle Information:

[TE Connectivity:](#)

[ER7422RJT](#)