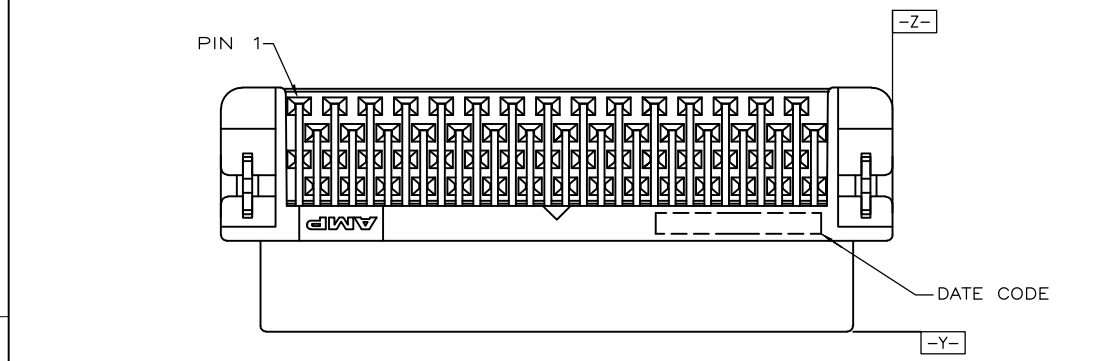


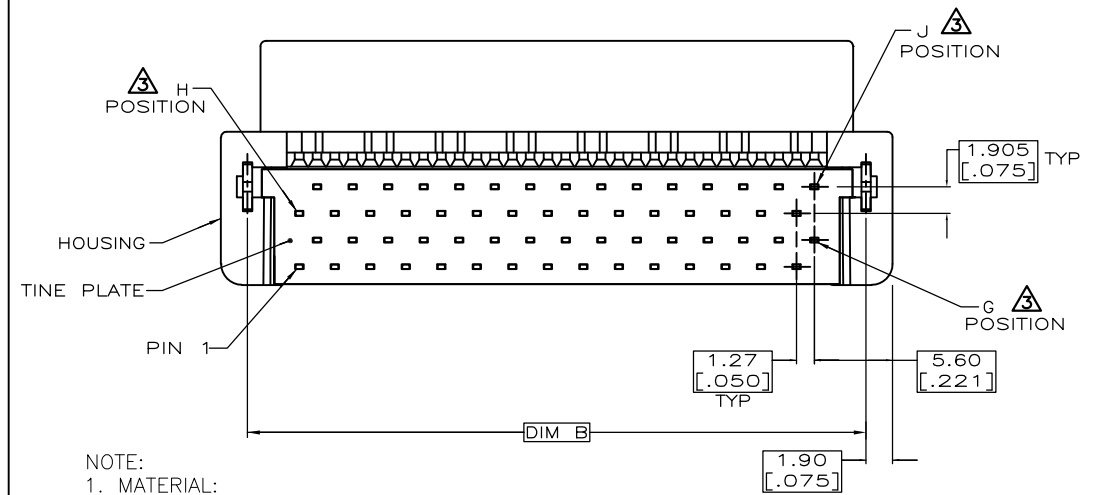
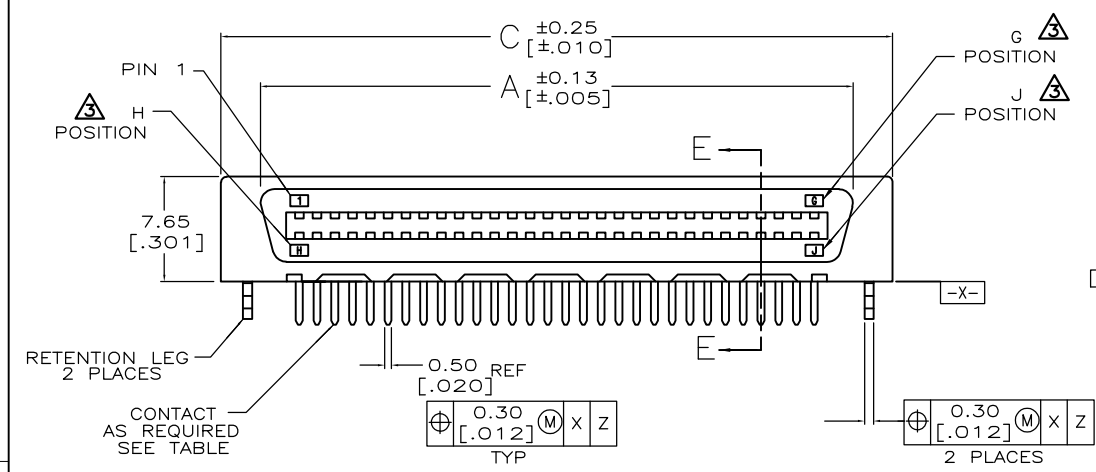
THIS DRAWING IS UNPUBLISHED. RELEASED FOR PUBLICATION  
 © COPYRIGHT - By - ALL RIGHTS RESERVED.

LOC	DIST	REVISIONS			
P	LTR	DESCRIPTION	DATE	DWN	APVD
		G1	REVISED PER ECR-12-013026	08APR13	K.M E.T

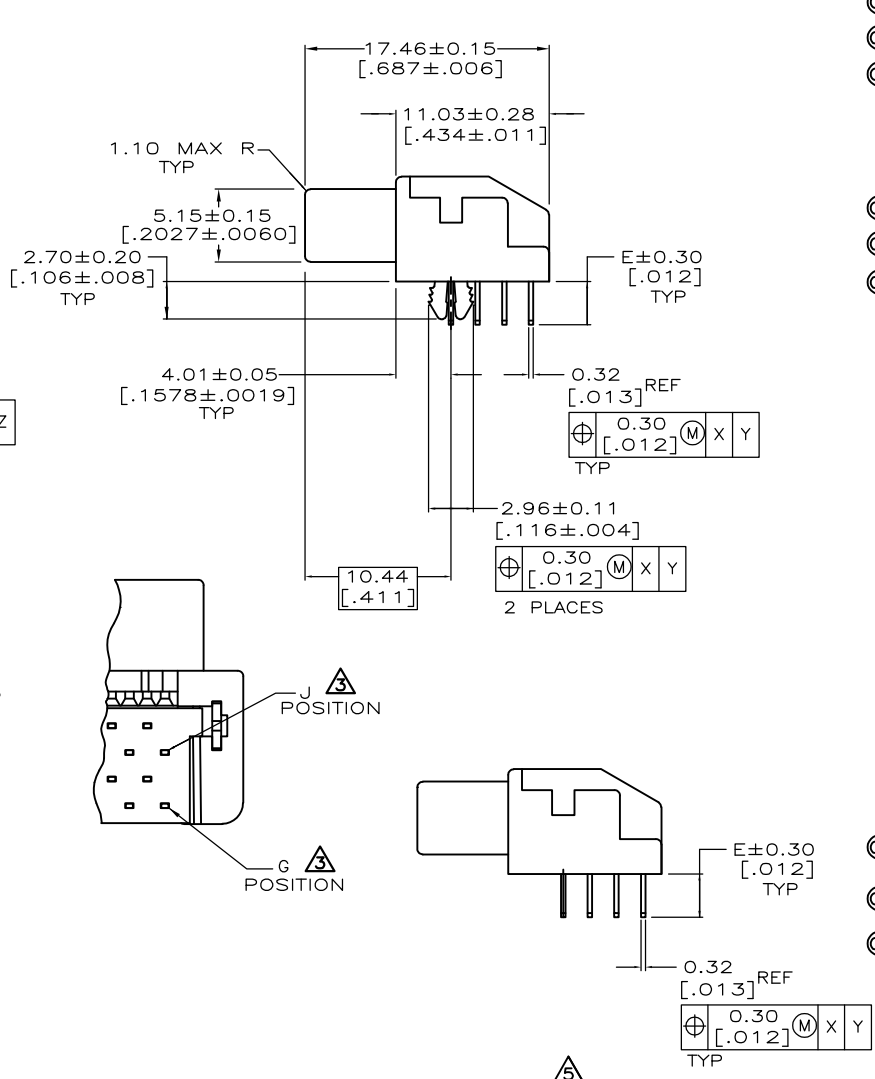


FOR 40,60,68,80,100,120,  
140,160,180,200 POSITIONS ONLY

FOR 50, AND 130  
POSITIONS ONLY



- NOTE:  
 1. MATERIAL:  
 HOUSING: LIQUID CRYSTAL POLYMER (LCP), UL 94V-0, BLACK COLOR.  
 CONTACTS: PHOSPHOR BRONZE.  
 BOARDLOCKS: BRASS.  
 2. FINISH:  
 CONTACTS: (SEE TABLE) GOLD PLATED ON CONTACT AREA,  
 3.81µm [150µ"] MIN. MATTE-TIN ON SOLDER TAIL, OVER  
 1.27mm [50m"] MIN. NICKEL UNDERPLATED.  
 BOARDLOCKS: 3.81µm [150µ"] MIN. TIN-Cu OVER  
 1.27mm [50m"] MIN. UNDERPLATED.  
 G, J, AND H INDICATES NUMBER OF POSITION MARKED ON ASSEMBLY.  
 ALSO SEE TABLE.  
 CONNECTOR SOLDER TAILS WILL ACCOMMODATE PRINTED CIRCUIT BOARD  
 THICKNESS OF 0.80 TO 1.60 [.031 TO .063].  
 BOARDLOCKS NOT PRESENT.  
 6. WAVE SOLDER CAPABLE TO 265°C PER TEST SPEC.  
 109-202, CONDITION B.  
 GOLD FLASH OVER  
 0.762µm [30µ"] MIN. PALLADIUM-NICKEL PLATED.  
 OBSOLETE



WITHOUT RETENTION LEG

NOTES	E	D	C	B	A	G	J	H	GOLD PLATED	PART NUMBER	POS.
	3.10 [.122]	102.03 [4.017]	111.53 [4.391]	107.73 [4.242]	105.87 [4.168]	80	160	81	GOLD FLASH	5-1734037-6	160
									0.381µm [15u"]	3-1734037-6	
										1-1734037-6	
	3.10 [.122]	89.33 [3.517]	98.83 [3.891]	95.03 [3.742]	93.17 [3.668]	70	140	71	GOLD FLASH	5-1734037-4	140
									0.381µm [15u"]	3-1734037-4	
										1-1734037-4	
	3.10 [.122]	76.63 [3.017]	86.13 [3.391]	82.33 [3.242]	80.47 [3.168]	60	120	61	GOLD FLASH	2-1734037-0	120
									0.381µm [15u"]	1-1734037-8	
										1-1734037-2	
	3.10 [.122]	63.93 [2.517]	73.43 [2.891]	69.63 [2.742]	67.77 [2.668]	50	100	51	GOLD FLASH	5-1734037-1	100
									0.381µm [15u"]	3-1734037-1	
										1-1734037-1	
	3.10 [.122]	63.93 [2.517]	73.43 [2.891]	69.63 [2.742]	67.77 [2.668]	50	100	51	GOLD FLASH	5-1734037-0	100
									0.381µm [15u"]	3-1734037-0	
										1-1734037-0	
	3.10 [.122]	43.61 [1.717]	53.11 [2.091]	49.31 [1.941]	47.45 [1.868]	34	68	35	GOLD FLASH	4-1734037-7	68
									0.381µm [15u"]	2-1734037-7	
										1734037-7	
	3.10 [.122]	-	48.03 [1.891]	44.23 [1.742]	42.37 [1.668]	30	60	31	GOLD FLASH	4-1734037-6	60
									0.381µm [15u"]	2-1734037-6	
										1734037-6	
	3.10 [.122]	32.18 [1.267]	41.68 [1.641]	37.88 [1.492]	36.02 [1.418]	25	50	26	GOLD FLASH	4-1734037-5	50
									0.381µm [15u"]	2-1734037-5	
										1734037-5	
	3.10 [.122]	25.83 [1.017]	35.33 [1.391]	31.53 [1.242]	29.67 [1.168]	20	40	21	GOLD FLASH	4-1734037-4	40
									0.381µm [15u"]	2-1734037-4	
										1734037-4	
	2.40 [.094]	51.23 [2.017]	60.73 [2.391]	56.93 [2.242]	55.07 [2.168]	40	80	41	GOLD FLASH	6-1734037-2	80
									0.381µm [15u"]	4-1734037-2	
										1734037-2	
	2.40 [.094]	51.23 [2.017]	60.73 [2.391]	56.93 [2.242]	55.07 [2.168]	40	80	41	GOLD FLASH	4-1734037-2	80
									0.381µm [15u"]	2-1734037-2	
										1734037-2	
	3.10 [.122]	51.23 [2.017]	60.73 [2.391]	56.93 [2.242]	55.07 [2.168]	40	80	41	GOLD FLASH	4-1734037-1	80
									0.381µm [15u"]	2-1734037-1	
										1734037-1	

THIS DRAWING IS A CONTROLLED DOCUMENT.

DIMENSIONS:	TOLERANCES UNLESS OTHERWISE SPECIFIED:
mm	
	0 PLC ± -
	1 PLC ± 0.3
	2 PLC ± 0.2
	3 PLC ± -
	4 PLC ± -
	ANGLES ± 3'
MATERIAL	FINISH
SEE NOTE	SEE NOTE

DWN	F. YANG	31MAR2009
CHK	S. CHIEN	31MAR2009
APVD	W. KODAMA	31MAR2009
PRODUCT SPEC		
APPLICATION SPEC		
WEIGHT	-	
CUSTOMER DRAWING		

**STE** TE Connectivity

RECEPTACLE ASSEMBLY, R/A,  
BTB, CHAMP.050, SERIES I

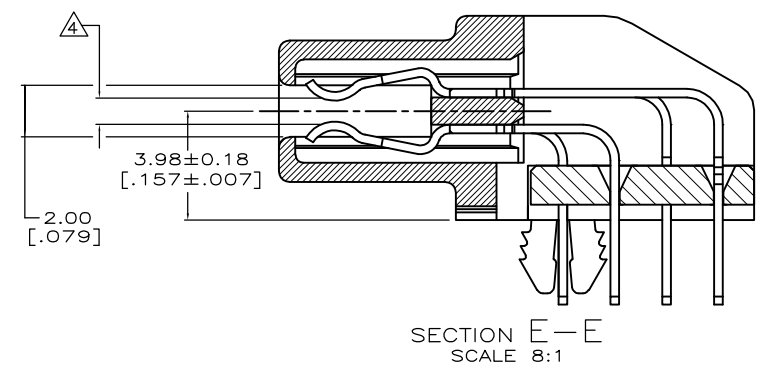
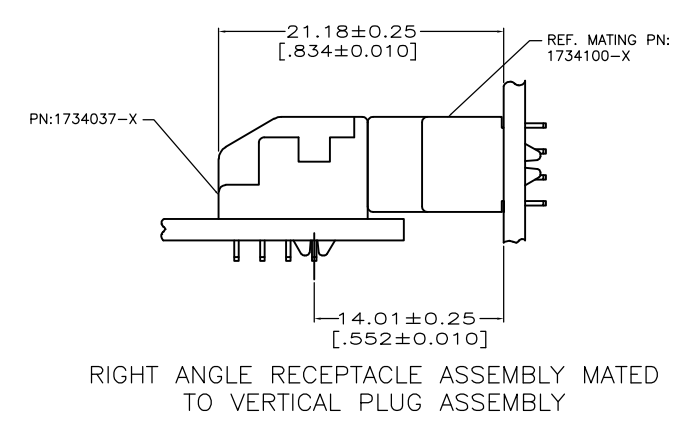
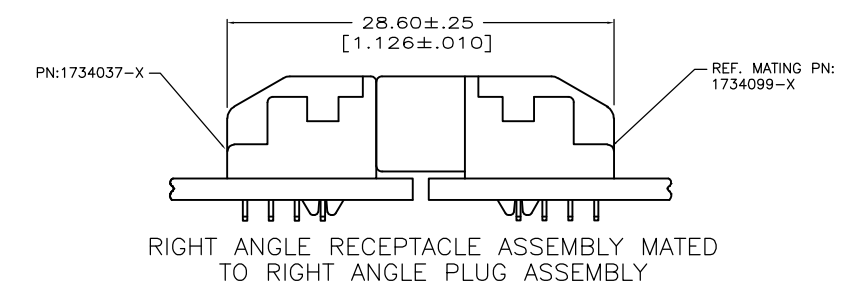
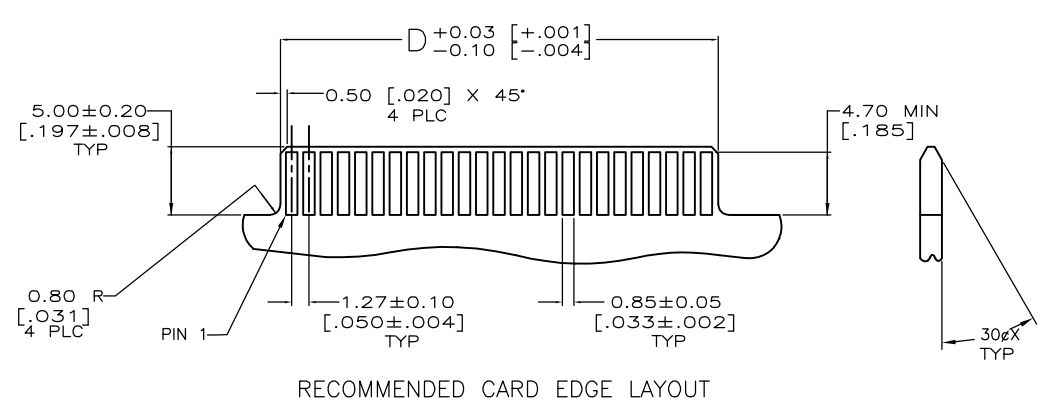
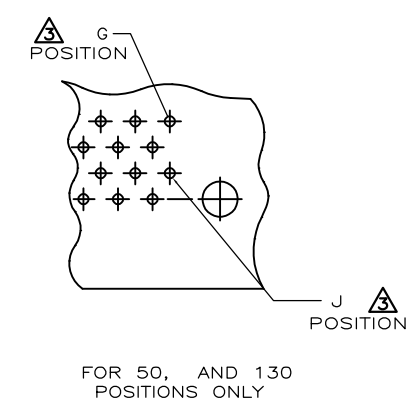
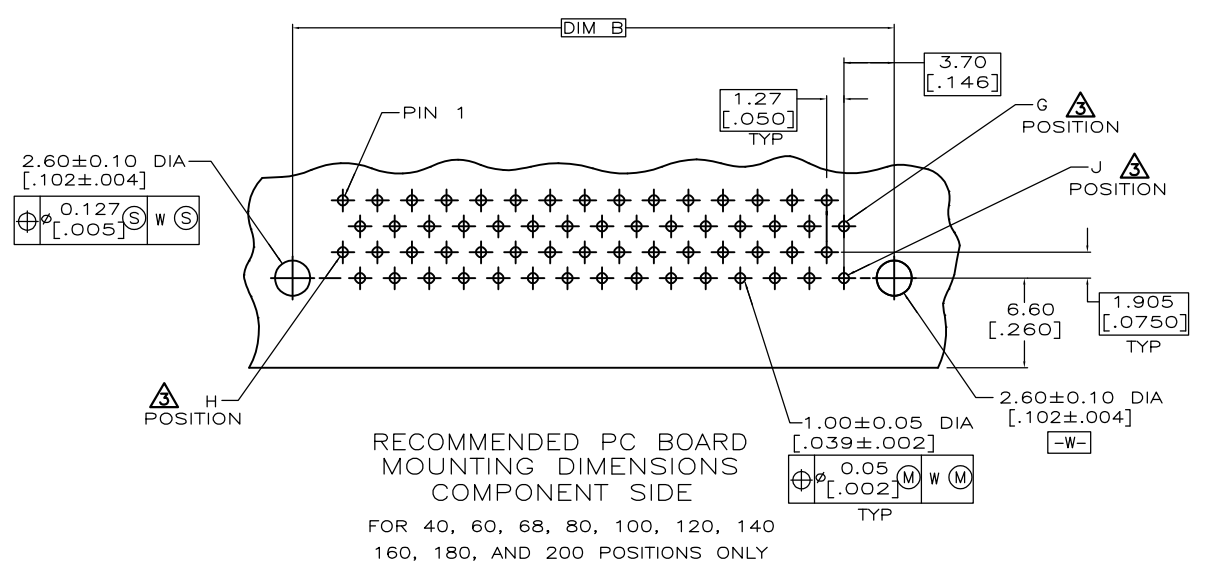
108-57876

SIZE: A3 CAGE CODE: 00779 DRAWING NO: C-1734037 RESTRICTED TO: -

SCALE: - SHEET: 1 OF 4 REV: G1

THIS DRAWING IS UNPUBLISHED. RELEASED FOR PUBLICATION  
 © COPYRIGHT - By - ALL RIGHTS RESERVED.

LOC	DIST	REVISIONS			
P	LTR	DESCRIPTION	DATE	DWN	APVD
DW	/	SEE SHEET 1	-	-	-



THIS DRAWING IS A CONTROLLED DOCUMENT.		DWN	STE TE Connectivity		
DIMENSIONS: mm		CHK	NAME		
TOLERANCES UNLESS OTHERWISE SPECIFIED:		APVD	RECEPTACLE ASSEMBLY, R/A, BTB, CHAMP.050, SERIES I		
0 PLC	± -	PRODUCT SPEC	SIZE	CAGE CODE	DRAWING NO
1 PLC	± -	APPLICATION SPEC	A3	00779	C-1734037
2 PLC	± -	WEIGHT	RESTRICTED TO		
3 PLC	± -	CUSTOMER DRAWING	SCALE	SHEET	REV
4 PLC	± -		-	2 OF 4	G1
ANGLES	± -				
FINISH	± -				

THIS DRAWING IS UNPUBLISHED.

RELEASED FOR PUBLICATION

---

LOC

DIST

REVISIONS

© COPYRIGHT - By -

ALL RIGHTS RESERVED.

DW

P

LTR

DESCRIPTION

DATE

DWN

APVD

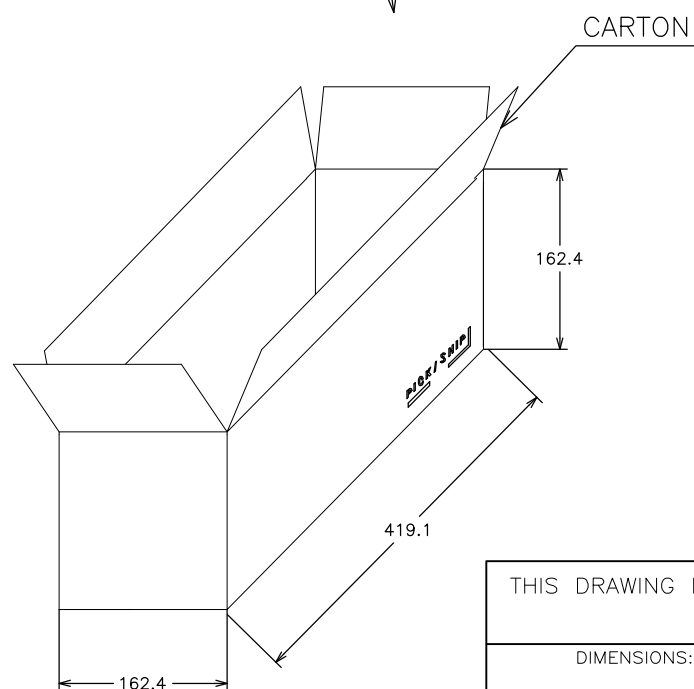
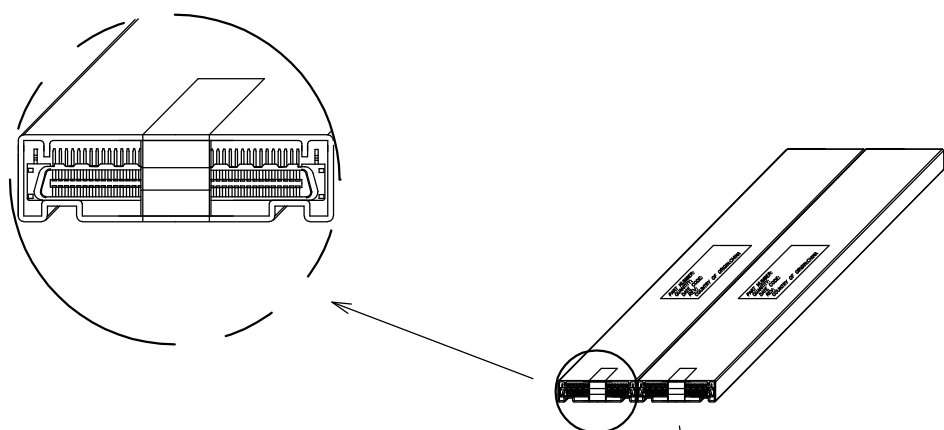
SEE SHEET 1

TUBE

PACKAGE DIRECTION

STOPPER

PRODUCT

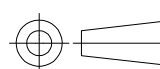


Ⓞ OBSOLETE

POS.	Q'TY/ TUBE	TUBE/ BOX	Q'TY/ BOX	N/W (KG)	G/W (KG)	PART NUMBER
						6-1734037-2
	80	21	16	336	2.06	4-1734037-2
						2-1734037-2
						1734037-2
	100	21	16	336	2.55	5-1734037-0
						3-1734037-0
						1-1734037-0
	80	21	16	336	2.08	4-1734037-1
						2-1734037-1
						1734037-1

THIS DRAWING IS A CONTROLLED DOCUMENT.

DIMENSIONS:  
mm



TOLERANCES UNLESS OTHERWISE SPECIFIED:

0 PLC ± -

1 PLC ± -

2 PLC ± -

3 PLC ± -

4 PLC ± -

ANGLES ± -

FINISH

MATERIAL

DWN

CHK

APVD

PRODUCT SPEC

APPLICATION SPEC

WEIGHT

CUSTOMER DRAWING



RECEPTACLE ASSEMBLY, R/A,  
BTB, CHAMP.050, SERIES I

SIZE	CAGE CODE	DRAWING NO	RESTRICTED TO
A3	00779	C-1734037	

SCALE - SHEET 3 OF 4 REV G1

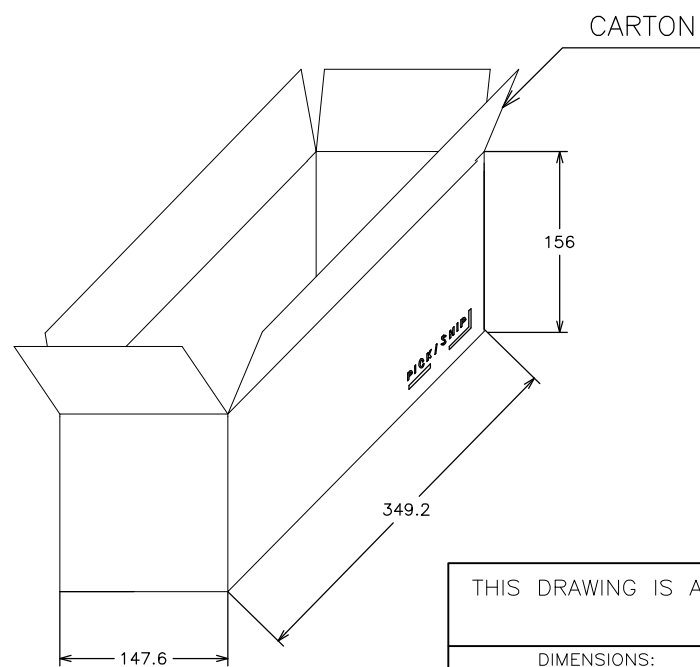
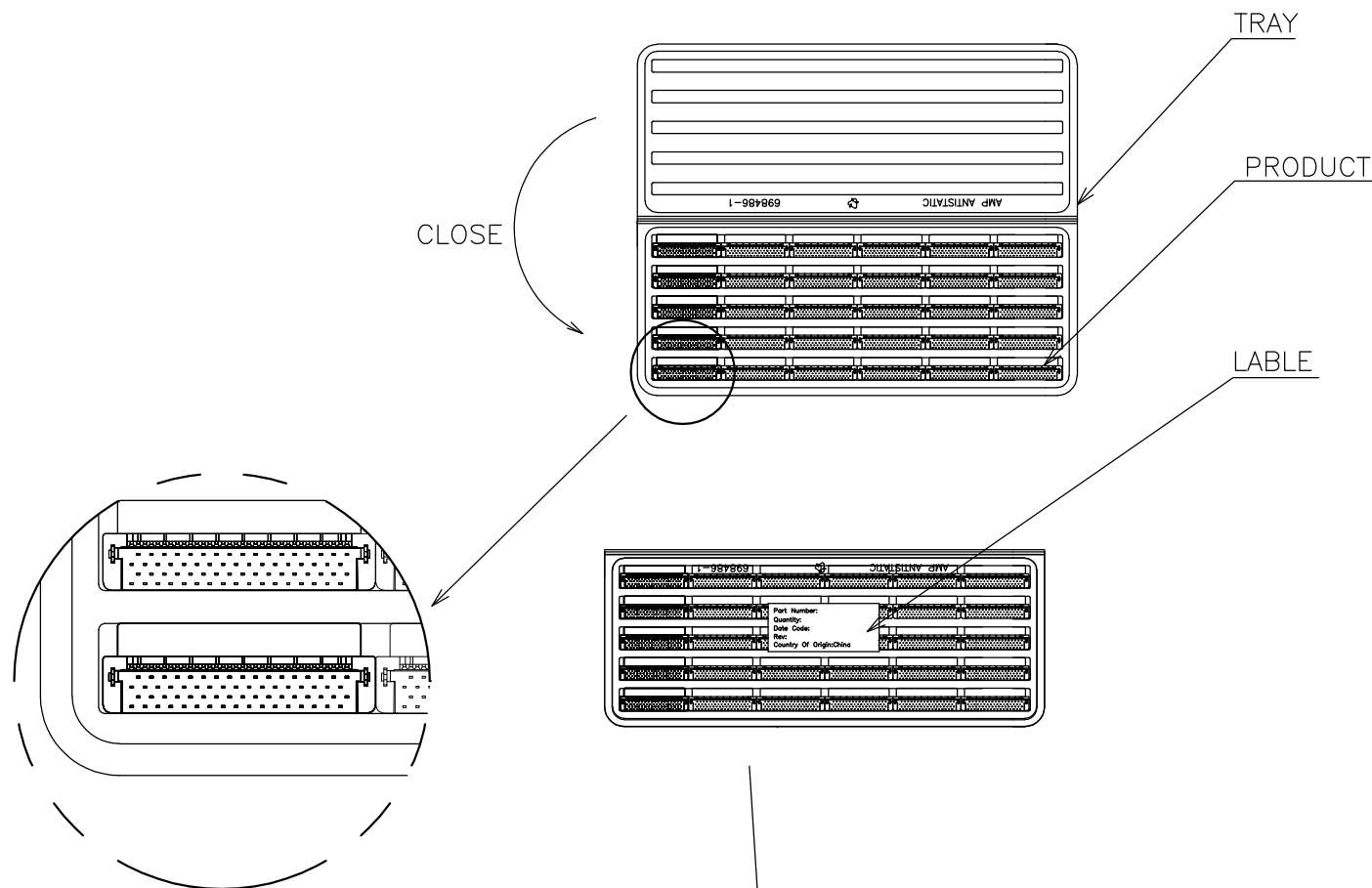
THIS DRAWING IS UNPUBLISHED. RELEASED FOR PUBLICATION

© COPYRIGHT - By - ALL RIGHTS RESERVED.

LOC DW DIST

REVISIONS

P	LTR	DESCRIPTION	DATE	DWN	APVD
-	-	SEE SHEET 1	-	-	-



POS.	Q'TY/ TRAY	TRAY/ BOX	Q'TY/ BOX	N/W (KG)	G/W (KG)	PART NUMBER
⑥ OBSOLETE	160	10	100	1.33	2.28	5-1734037-6 3-1734037-6 1-1734037-6
	140	15	150	1.67	2.62	5-1734037-4 3-1734037-4 1-1734037-4
	120	15	150	1.35	2.30	2-1734037-0 1-1734037-8 1-1734037-2
⑥ OBSOLETE	100	20	200	1.43	2.43	5-1734037-1 3-1734037-1 1-1734037-1
	68	30	300	1.65	2.60	4-1734037-7 2-1734037-7 1734037-7
	60	30	300	1.60	2.60	4-1734037-6 2-1734037-6 1734037-6
50	35	350	1.55	2.50	4-1734037-5 2-1734037-5 1734037-5	
40	45	450	1.55	2.45	4-1734037-4 2-1734037-4 1734037-4	

THIS DRAWING IS A CONTROLLED DOCUMENT.

DIMENSIONS:	TOLERANCES UNLESS OTHERWISE SPECIFIED:
mm	0 PLC ± -
	1 PLC ± -
	2 PLC ± -
	3 PLC ± -
	4 PLC ± -
	ANGLES ± -
MATERIAL	FINISH

DWN	-
CHK	-
APVD	-
PRODUCT SPEC	-
APPLICATION SPEC	-
WEIGHT	-

**STE** TE Connectivity

RECEPTACLE ASSEMBLY, R/A, BTB, CHAMP.050, SERIES I

SIZE	CAGE CODE	DRAWING NO	RESTRICTED TO
A3	00779	C-1734037	-

# Mouser Electronics

Authorized Distributor

Click to View Pricing, Inventory, Delivery & Lifecycle Information:

[TE Connectivity:](#)

[1734037-7](#)