

THIS DRAWING IS UNPUBLISHED. RELEASED FOR PUBLICATION  
 © COPYRIGHT - By - ALL RIGHTS RESERVED.

| REVISIONS |     |                           |           |     |      |
|-----------|-----|---------------------------|-----------|-----|------|
| P         | LTR | DESCRIPTION               | DATE      | DWN | APVD |
|           | P2  | REVISED PER ECO-11-004587 | 11MAR11   | RK  | HMR  |
|           | R   | REVISED PER ECO-17-002210 | 10APR2017 | RS  | MM   |

D

C

B

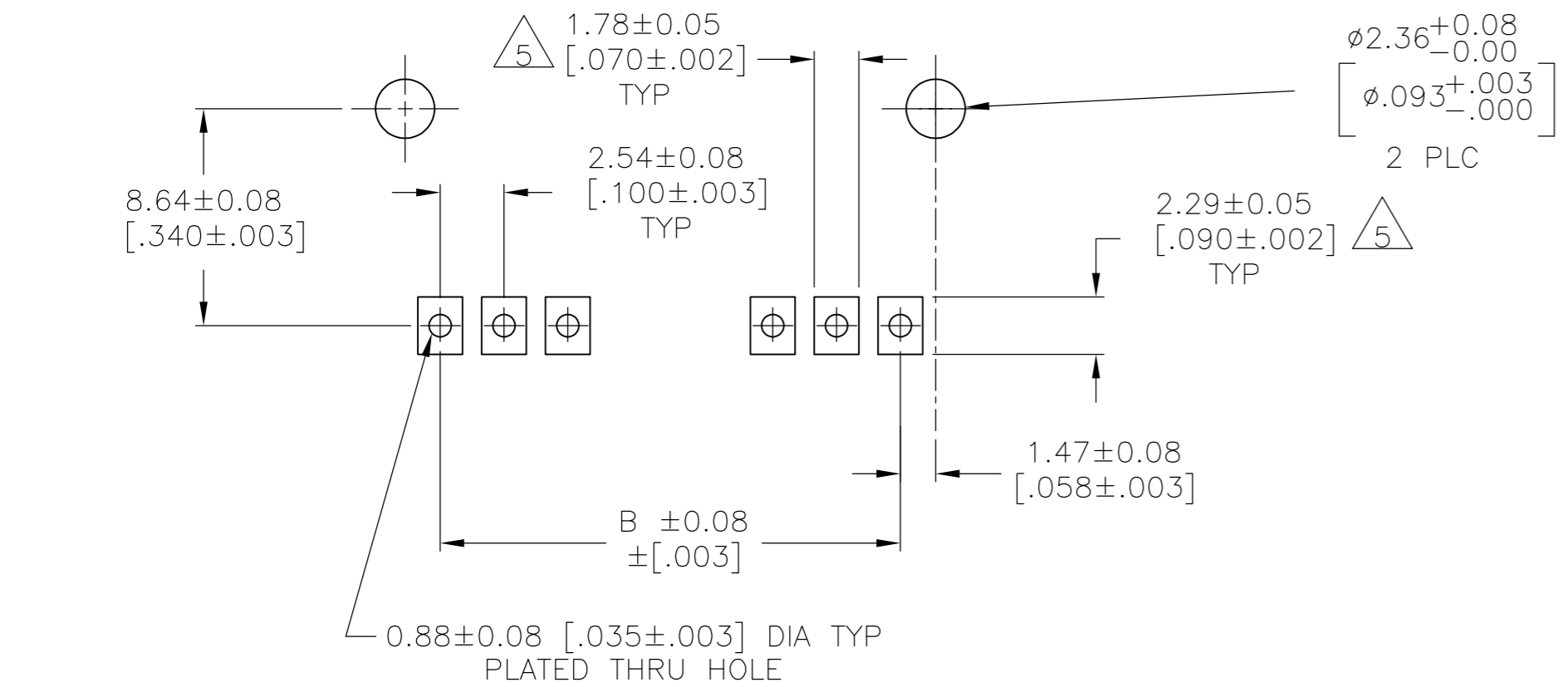
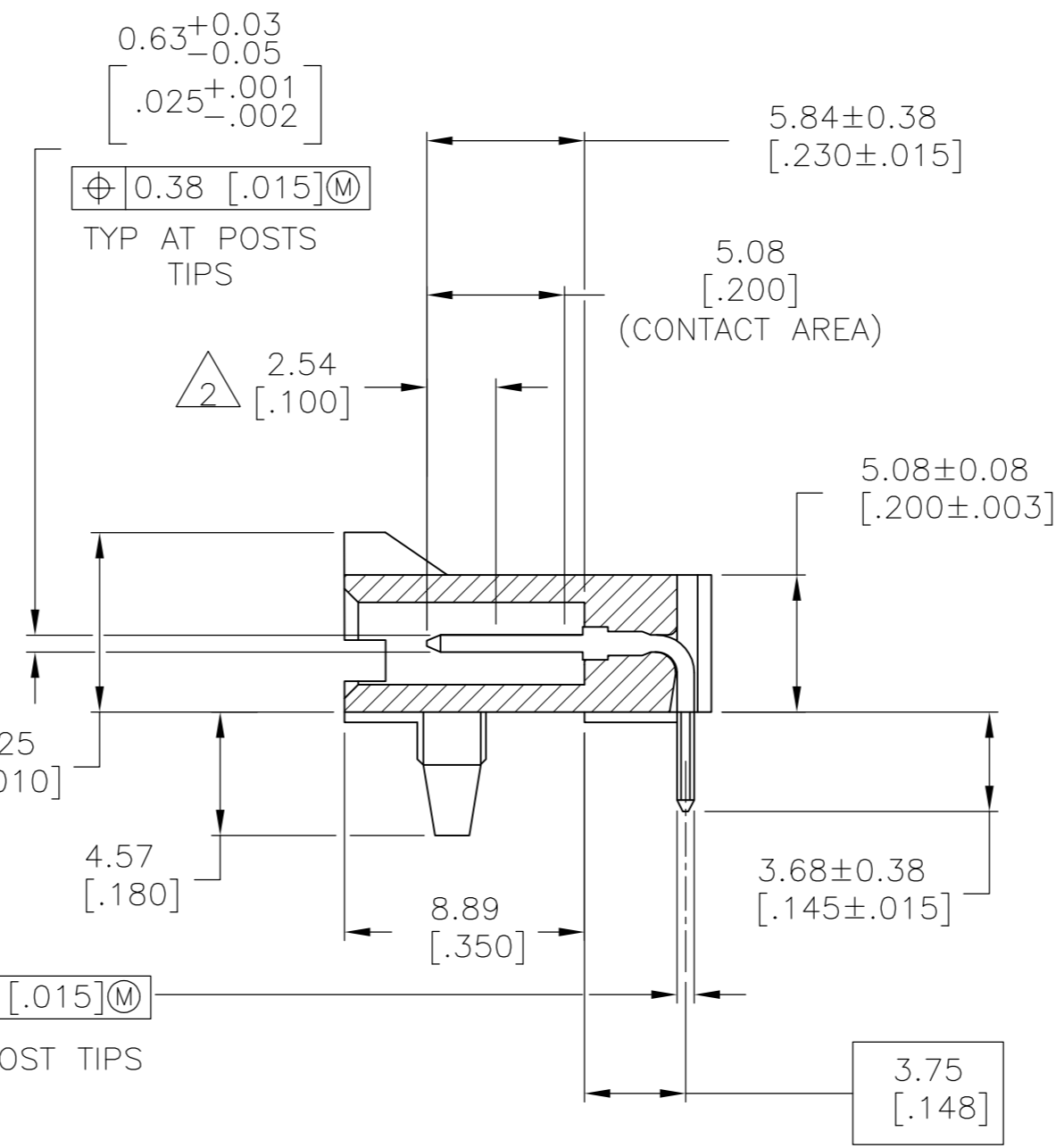
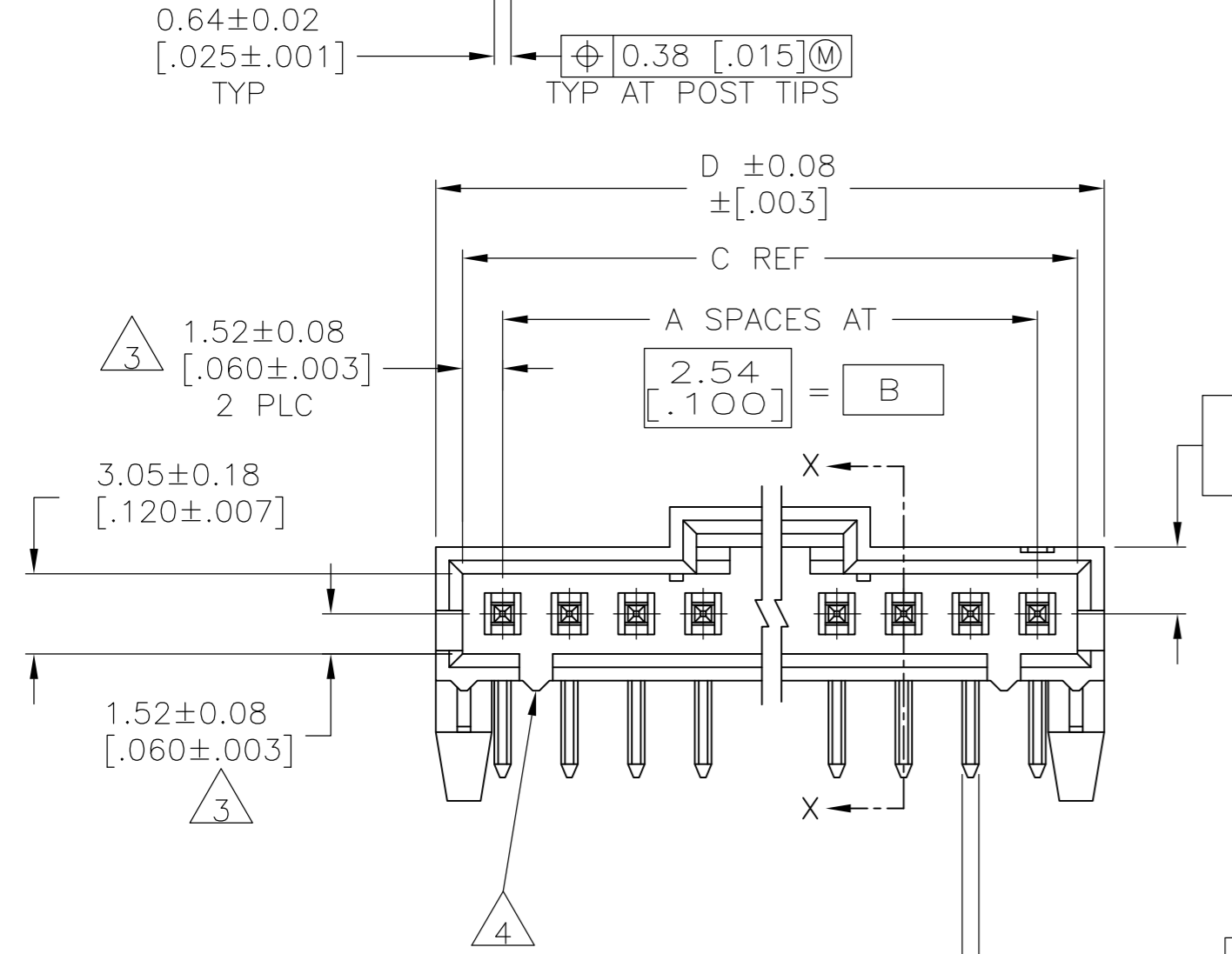
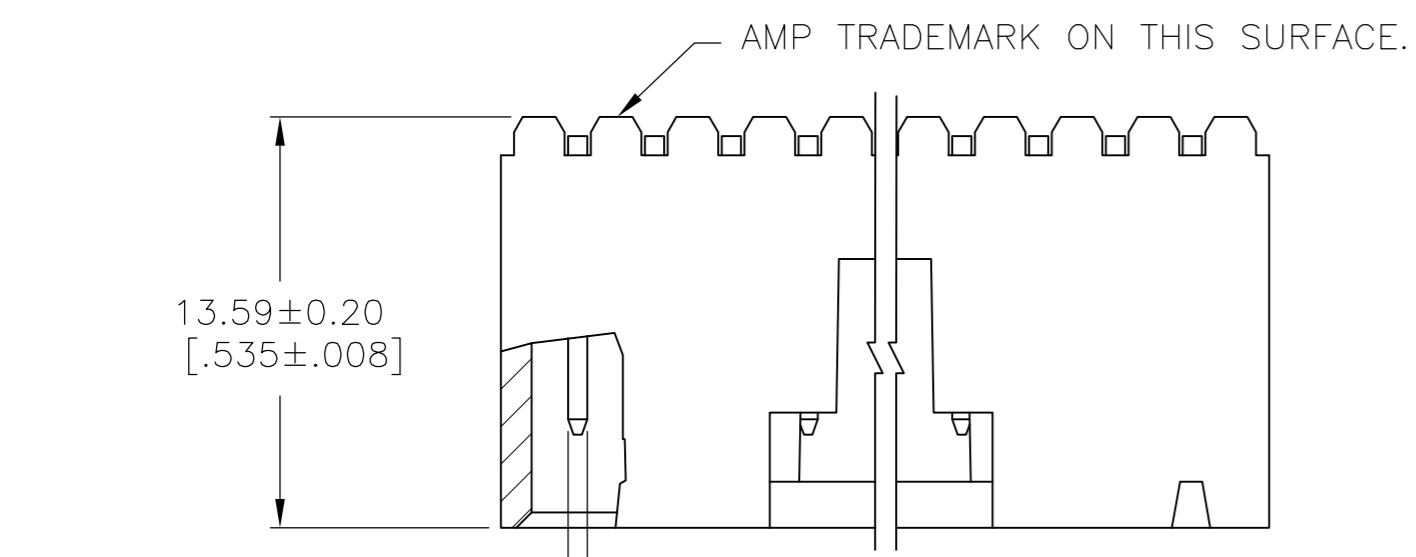
A

D

C

B

A



RECOMMENDED PC BOARD MOUNTING DIMENSIONS  
 RECOMMENDED STENCIL THICKNESS = 0.25 [.010]

- 1 0.000381 [.000015] GOLD IN THE CONTACT AREA, 0.00254-0.00508 [.000100-.000200] MATTE TIN-LEAD ON THE SOLDER TAIL, ALL OVER 0.00127 [.000050] NICKEL.
- 2 POINT OF MEASUREMENT FOR PLATING THICKNESS
- 3 THE NOTED DIMENSIONS APPLY FROM THE BASIC DIMENSION LINE (NOT THE POST CENTERLINE) TO THE SURFACE INDICATED
- 4 ON ASSEMBLIES WITH FOUR OR MORE POSITIONS, TWO POLARIZATION SLOTS. ON ASSEMBLIES WITH TWO OR THREE POSITIONS, ONE POLARIZATION SLOT.
- 5 DIMENSIONS NOTED ARE FOR SOLDER STENCIL LAYOUT FOR USE WITH A 1.57±0.20 [.062±.008] THICK PRINTED CIRCUIT BOARD
- 6 PARTS ARE PACKAGED IN GANG OF TUBES
- 7 0.000381 [.000015] GOLD IN THE CONTACT AREA, 0.00254-0.00508 [.000100-.000200] MATTE TIN ON THE SOLDER TAIL, ALL OVER 0.00127 [.000050] NICKEL.
- 8 OBSOLETE PARTS: OBSOLETE CIS STREAMLINING PER D.RENAUD/D.SINISI

SEE SHEET 2 FOR PART NUMBER TABLE


|  |            |                           |  |               |
|--|------------|---------------------------|--|---------------|
| THIS DRAWING IS A CONTROLLED DOCUMENT.             |            | DWN 2-22-88<br>G DOUTY    | TE Connectivity  |               |
| DIMENSIONS: mm [INCHES]                            |            | CHK 2-22-88<br>T C CLARK  |  |               |
| TOLERANCES UNLESS OTHERWISE SPECIFIED:             |            | APVD 2-22-88<br>T C CLARK | NAME   |               |
| 0 PLC ± -  | 1 PLC ± -  | PRODUCT SPEC              | HEADER ASSY, AMPMODU MTE, RIGHT ANGLE, SINGLE ROW, .100 POSTS, WITH LATCH & HOLD DOWNS |               |
| 2 PLC ± 0.13 [.005]                                | 3 PLC ± -  | APPLICATION SPEC          | SIZE   | RESTRICTED TO |
| 4 PLC ± -  | ANGLES ± - | FINISH                    | A2   |               |
| MATERIAL: HOUSING: LCP; COLOR: BLACK; POSTS: BRASS |            | SEE TABLE                 | CAGE CODE  | DRAWING NO    |
|  |            | WEIGHT                    | 00779  | 104361        |
|  |            | CUSTOMER DRAWING          | SCALE  | SHEET         |
|  |            |                           | 4:1  | 1 OF 2        |
|  |            |                           |  | REV R         |

THIS DRAWING IS UNPUBLISHED. RELEASED FOR PUBLICATION  
 © COPYRIGHT - By - ALL RIGHTS RESERVED.

| REVISIONS |     |             |      |     |      |
|-----------|-----|-------------|------|-----|------|
| P         | LTR | DESCRIPTION | DATE | DWN | APVD |
| -         | -   | SEE SHEET 1 | -    | -   | -    |

| PLATING | D | C             | B             | A             | NO OF POSN | ASSEMBLY PART NUMBER |
|---------|---|---------------|---------------|---------------|------------|----------------------|
|         | 7 | 65.91 [2.595] | 64.01 [2.520] | 60.96 [2.400] | 24 25      | 7-104361-4           |
|         | 7 | 63.37 [2.495] | 61.47 [2.420] | 58.42 [2.300] | 23 24      | 7-104361-3           |
|         | 7 | 60.83 [2.395] | 58.93 [2.320] | 55.88 [2.200] | 22 23      | 7-104361-2           |
|         | 7 | 58.29 [2.295] | 56.39 [2.220] | 53.34 [2.100] | 21 22      | 7-104361-1           |
|         | 7 | 55.75 [2.195] | 53.85 [2.120] | 50.8 [2.000]  | 20 21      | 7-104361-0           |
|         | 7 | 53.21 [2.095] | 51.31 [2.020] | 48.26 [1.900] | 19 20      | 6-104361-9           |
|         | 7 | 50.67 [1.995] | 48.77 [1.920] | 45.72 [1.800] | 18 19      | 6-104361-8           |
|         | 7 | 48.13 [1.895] | 46.23 [1.820] | 43.18 [1.700] | 17 18      | 6-104361-7           |
|         | 7 | 45.59 [1.795] | 43.69 [1.720] | 40.64 [1.600] | 16 17      | 6-104361-6           |
|         | 7 | 43.05 [1.695] | 41.15 [1.620] | 38.1 [1.500]  | 15 16      | 6-104361-5           |
|         | 7 | 40.51 [1.595] | 38.61 [1.520] | 35.56 [1.400] | 14 15      | 6-104361-4           |
|         | 7 | 37.97 [1.495] | 36.07 [1.420] | 33.02 [1.300] | 13 14      | 6-104361-3           |
|         | 7 | 35.43 [1.395] | 33.53 [1.320] | 30.48 [1.200] | 12 13      | 6-104361-2           |
|         | 7 | 32.89 [1.295] | 30.99 [1.220] | 27.94 [1.100] | 11 12      | 6-104361-1           |
|         | 7 | 30.35 [1.195] | 28.45 [1.120] | 25.4 [1.000]  | 10 11      | 6-104361-0           |
|         | 7 | 27.81 [1.095] | 25.91 [1.020] | 22.86 [.900]  | 9 10       | 5-104361-9           |
|         | 7 | 25.27 [.995]  | 23.37 [.920]  | 20.32 [.800]  | 8 9        | 5-104361-8           |
|         | 7 | 22.73 [.895]  | 20.83 [.820]  | 17.78 [.700]  | 7 8        | 5-104361-7           |
|         | 7 | 20.19 [.795]  | 18.29 [.720]  | 15.24 [.600]  | 6 7        | 5-104361-6           |
|         | 7 | 17.65 [.695]  | 15.75 [.620]  | 12.7 [.500]   | 5 6        | 5-104361-5           |
|         | 7 | 15.11 [.595]  | 13.21 [.520]  | 10.16 [.400]  | 4 5        | 5-104361-4           |
|         | 7 | 12.57 [.495]  | 10.67 [.420]  | 7.62 [.300]   | 3 4        | 5-104361-3           |
|         | 7 | 10.03 [.395]  | 8.13 [.320]   | 5.08 [.200]   | 2 3        | 5-104361-2           |
|         | 7 | 7.49 [.295]   | 5.59 [.220]   | 2.54 [.100]   | 1 2        | 5-104361-1           |
|         | 1 | 65.91 [2.595] | 64.01 [2.520] | 60.96 [2.400] | 24 25      | 2-104361-4           |
|         | 1 | 63.37 [2.495] | 61.47 [2.420] | 58.42 [2.300] | 23 24      | 2-104361-3           |
|         | 1 | 60.83 [2.395] | 58.93 [2.320] | 55.88 [2.200] | 22 23      | 2-104361-2           |
|         | 1 | 58.29 [2.295] | 56.39 [2.220] | 53.34 [2.100] | 21 22      | 2-104361-1           |
|         | 1 | 55.75 [2.195] | 53.85 [2.120] | 50.8 [2.000]  | 20 21      | 2-104361-0           |
|         | 1 | 53.21 [2.095] | 51.31 [2.020] | 48.26 [1.900] | 19 20      | 1-104361-9           |
|         | 1 | 50.67 [1.995] | 48.77 [1.920] | 45.72 [1.800] | 18 19      | 1-104361-8           |
|         | 1 | 48.13 [1.895] | 46.23 [1.820] | 43.18 [1.700] | 17 18      | 1-104361-7           |
|         | 1 | 45.59 [1.795] | 43.69 [1.720] | 40.64 [1.600] | 16 17      | 1-104361-6           |
|         | 1 | 43.05 [1.695] | 41.15 [1.620] | 38.1 [1.500]  | 15 16      | 1-104361-5           |
|         | 1 | 40.51 [1.595] | 38.61 [1.520] | 35.56 [1.400] | 14 15      | 1-104361-4           |
|         | 1 | 37.97 [1.495] | 36.07 [1.420] | 33.02 [1.300] | 13 14      | 1-104361-3           |
|         | 1 | 35.43 [1.395] | 33.53 [1.320] | 30.48 [1.200] | 12 13      | 1-104361-2           |
|         | 1 | 32.89 [1.295] | 30.99 [1.220] | 27.94 [1.100] | 11 12      | 1-104361-1           |
|         | 1 | 30.35 [1.195] | 28.45 [1.120] | 25.4 [1.000]  | 10 11      | 1-104361-0           |
|         | 1 | 27.81 [1.095] | 25.91 [1.020] | 22.86 [.900]  | 9 10       | 104361-9             |
|         | 1 | 25.27 [.995]  | 23.37 [.920]  | 20.32 [.800]  | 8 9        | 104361-8             |
|         | 1 | 22.73 [.895]  | 20.83 [.820]  | 17.78 [.700]  | 7 8        | 104361-7             |
|         | 1 | 20.19 [.795]  | 18.29 [.720]  | 15.24 [.600]  | 6 7        | 104361-6             |
|         | 1 | 17.65 [.695]  | 15.75 [.620]  | 12.7 [.500]   | 5 6        | 104361-5             |
|         | 1 | 15.11 [.595]  | 13.21 [.520]  | 10.16 [.400]  | 4 5        | 104361-4             |
|         | 1 | 12.57 [.495]  | 10.67 [.420]  | 7.62 [.300]   | 3 4        | 104361-3             |
|         | 1 | 10.03 [.395]  | 8.13 [.320]   | 5.08 [.200]   | 2 3        | 104361-2             |
|         | 1 | 7.49 [.295]   | 5.59 [.220]   | 2.54 [.100]   | 1 2        | 104361-1             |

△ SUPERSEDED BY 7-104361-4  
 △ SUPERSEDED BY 7-104361-3  
 △ SUPERSEDED BY 7-104361-2  
 △ SUPERSEDED BY 7-104361-1  
 △ SUPERSEDED BY 7-104361-0  
  
 △ SUPERSEDED BY 6-104361-8  
 △ SUPERSEDED BY 6-104361-7  
 △ SUPERSEDED BY 6-104361-6  
 △ SUPERSEDED BY 6-104361-5  
 △ SUPERSEDED BY 6-104361-4  
  
 △ SUPERSEDED BY 6-104361-2  
  
 △ SUPERSEDED BY 6-104361-0

|   |  |                              |   |                    |
|---|--|------------------------------|---|--------------------|
| THIS DRAWING IS A CONTROLLED DOCUMENT.                                      |  | DWN<br>G DOUTY<br>2-22-88    |  TE Connectivity |                    |
| DIMENSIONS:<br>mm [INCHES]  |  | CHK<br>T C CLARK<br>2-22-88  |   |                    |
| TOLERANCES UNLESS OTHERWISE SPECIFIED:                                      |  | APVD<br>T C CLARK<br>2-22-88 | NAME  |                    |
| 0 PLC ± -<br>1 PLC ± -<br>2 PLC ± -<br>3 PLC ± -<br>4 PLC ± -<br>ANGLES ± - |  | PRODUCT SPEC                 | HEADER ASSY, AMPMODU MTE, RIGHT<br>ANGLE, SINGLE ROW, .100<br>POSTS, WITH LATCH & HOLD DOWNS          |                    |
| MATERIAL<br>HOUSING : LCP<br>COLOR : BLACK<br>POSTS : BRASS                 |  | FINISH<br>SEE TABLE          | APPLICATION SPEC  | RESTRICTED TO      |
|   |  | WEIGHT<br>-                  | SIZE<br>A2  | CAGE CODE<br>00779 |
|   |  | CUSTOMER DRAWING             | DRAWING NO<br>C=104361  | SCALE<br>4:1       |
|   |  |                              | SHEET<br>2 OF 2   | REV<br>R           |

# Mouser Electronics

Authorized Distributor

Click to View Pricing, Inventory, Delivery & Lifecycle Information:

[TE Connectivity:](#)

[104361-6](#)