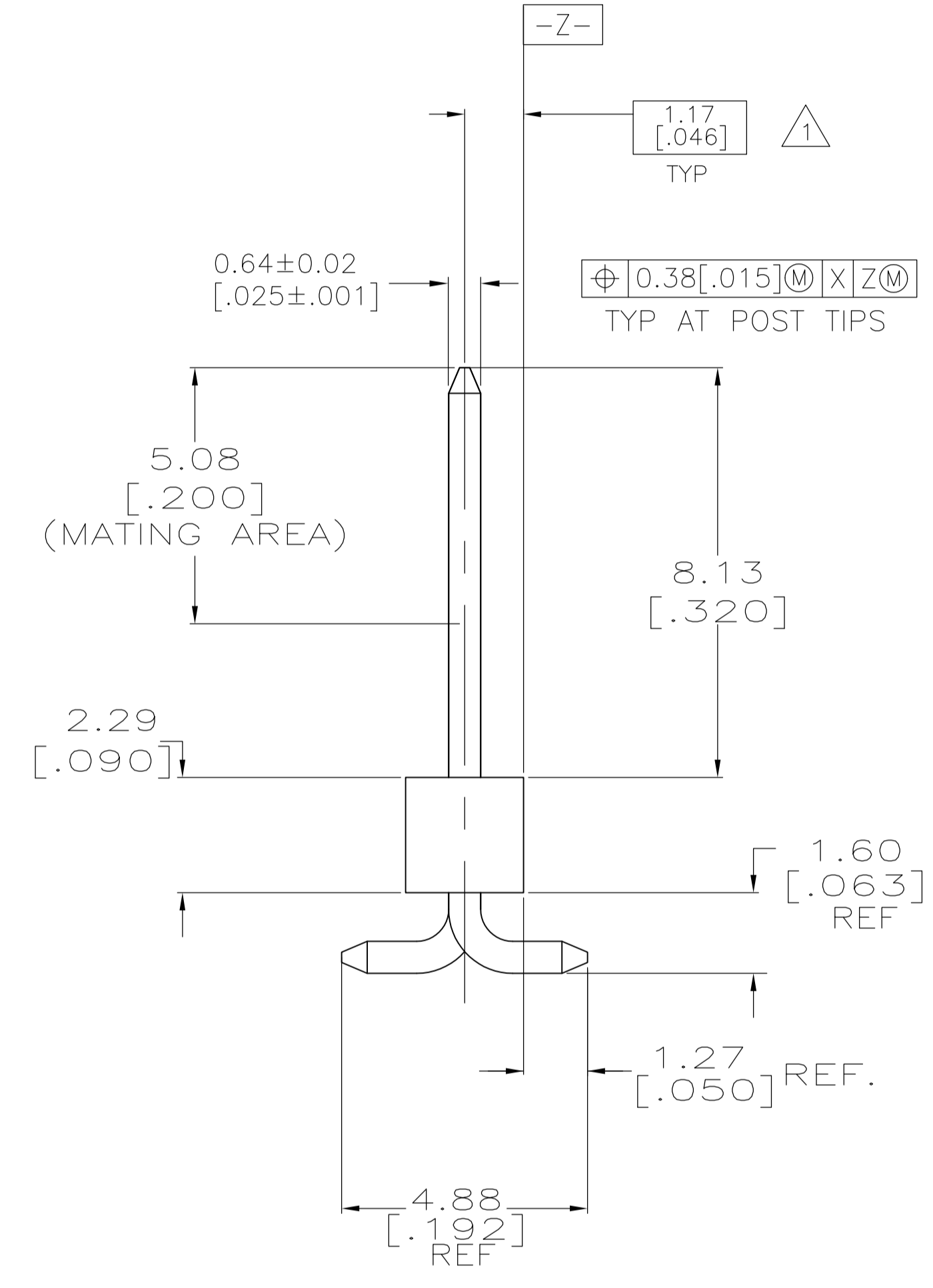


RECOMMENDED PCB LAYOUT FOR USE WITH .008 THICK STENCIL

- 1 THE NOTED DIMENSIONS APPLY AT THE INTERSECTION OF THE POST AND THE HOUSING.
- 2 0.00254[.000100]-0.00508[.000200] MATTE TIN-LEAD OVER
0.00127[.000050] NICKEL ENTIRE POST.
- 3 HOUSING: LCP, COLOR-BLACK.
POSTS: PHOSPHOR BRONZE.
- 4 0.00254[.000100]-0.00508[.000200] MATTE TIN OVER
0.00127[.000050] NICKEL ENTIRE POST.
- 5 PRELIMINARY PART - NOT RELEASED FOR PRODUCTION.
- 6 OBSOLETE PARTS: OBSOLETE CIS STREAMLINING PER D.RENAUD/D.SINISI



	4	35.56 [1.400]	14	35.69 [1.484]	15	6-146133-3
	4	33.02 [1.300]	13	33.15 [1.384]	14	6-146133-2
	4	30.48 [1.200]	12	30.61 [1.284]	13	6-146133-1
	4	27.94 [1.100]	11	28.07 [1.184]	12	6-146133-0
	4	25.40 [1.000]	10	27.53 [1.084]	11	5-146133-9
	4	22.86 [.900]	9	24.99 [.984]	10	5-146133-8
	4	20.32 [.800]	8	22.45 [.884]	9	5-146133-7
	4	17.78 [.700]	7	19.91 [.784]	8	5-146133-6
	4	15.24 [.600]	6	17.37 [.684]	7	5-146133-5
	4	12.70 [.500]	5	14.83 [.584]	6	5-146133-4
	4	10.16 [.400]	4	12.29 [.484]	5	5-146133-3
	4	7.62 [.300]	3	9.75 [.384]	4	5-146133-2
	4	5.08 [.200]	2	7.21 [.284]	3	5-146133-1
	4	17.78 [.700]	7	19.91 [.784]	8	1-146133-5
OBSOLETE	2	35.56 [1.400]	14	35.69 [1.484]	15	1-146133-3
	2	33.02 [1.300]	13	33.15 [1.384]	14	1-146133-2
	2	30.48 [1.200]	12	30.61 [1.284]	13	1-146133-1
	2	27.94 [1.100]	11	28.07 [1.184]	12	1-146133-0
OBSOLETE	2	25.40 [1.000]	10	27.53 [1.084]	11	146133-9
	2	22.86 [.900]	9	24.99 [.984]	10	146133-8
	2	20.32 [.800]	8	22.45 [.884]	9	146133-7
	2	17.78 [.700]	7	19.91 [.784]	8	146133-6
OBSOLETE	2	15.24 [.600]	6	17.37 [.684]	7	146133-5
	2	12.70 [.500]	5	14.83 [.584]	6	146133-4
OBSOLETE	2	10.16 [.400]	4	12.29 [.484]	5	146133-3
	2	7.62 [.300]	3	9.75 [.384]	4	146133-2
	2	5.08 [.200]	2	7.21 [.284]	3	146133-1
PLATING	C	B	A	NO OF POSN	PART NUMBER	

THIS DRAWING IS A CONTROLLED DOCUMENT.

DIMENSIONS: mm [INCHES]

TOLERANCES UNLESS OTHERWISE SPECIFIED:

0. PLC	±	-
1. PLC	±	-
2. PLC	±	-
3. PLC	±	.127(.005)
4. PLC	±	-
ANGLES	±	+

MATERIAL: - FINISH: SEE TABLE

APPROVED: J. KNAUB, G. DUBNICZKI, G. DUBNICZKI

DATE: 30SEP94

PRODUCT SPEC: SURFACE MOUNT HEADER ASSEMBLY, MOD II, BREAKAWAY, VERTICAL, SINGLE ROW, .100 X.100 C/L, .025 SQ. POST

APPLICATION SPEC: -

SIZE: A1

WEIGHT: -

CUSTOMER DRAWING: 100779

SCALE: 1:1

SHEET: 1 of 1

REV: L3

Mouser Electronics

Authorized Distributor

Click to View Pricing, Inventory, Delivery & Lifecycle Information:

[TE Connectivity:](#)

[1-146133-4](#)