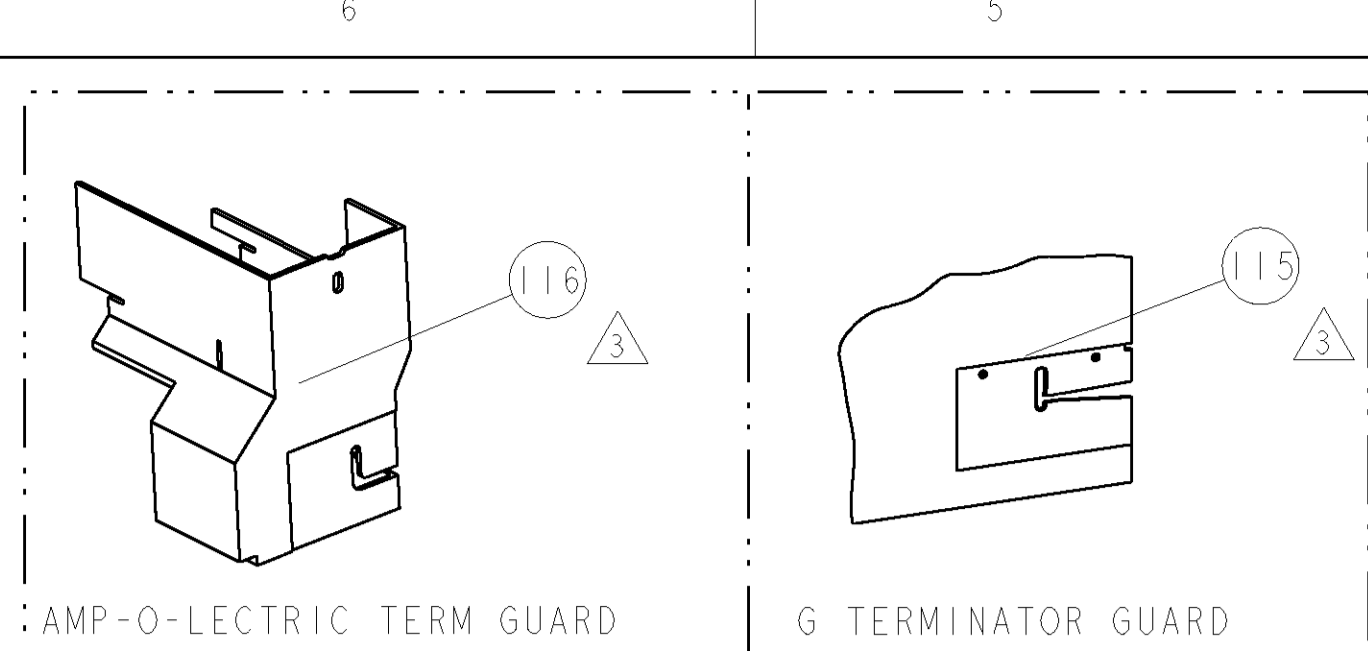


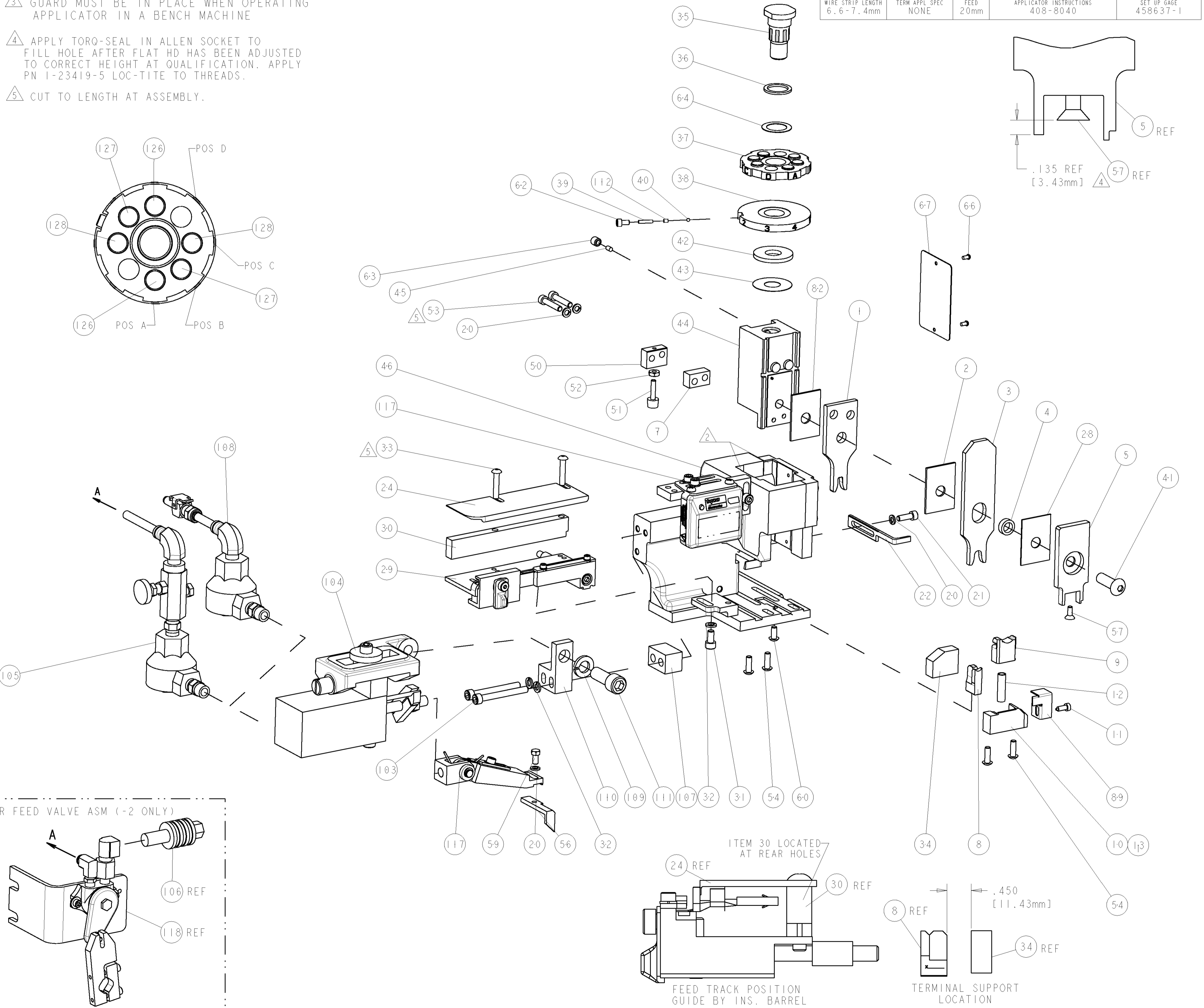
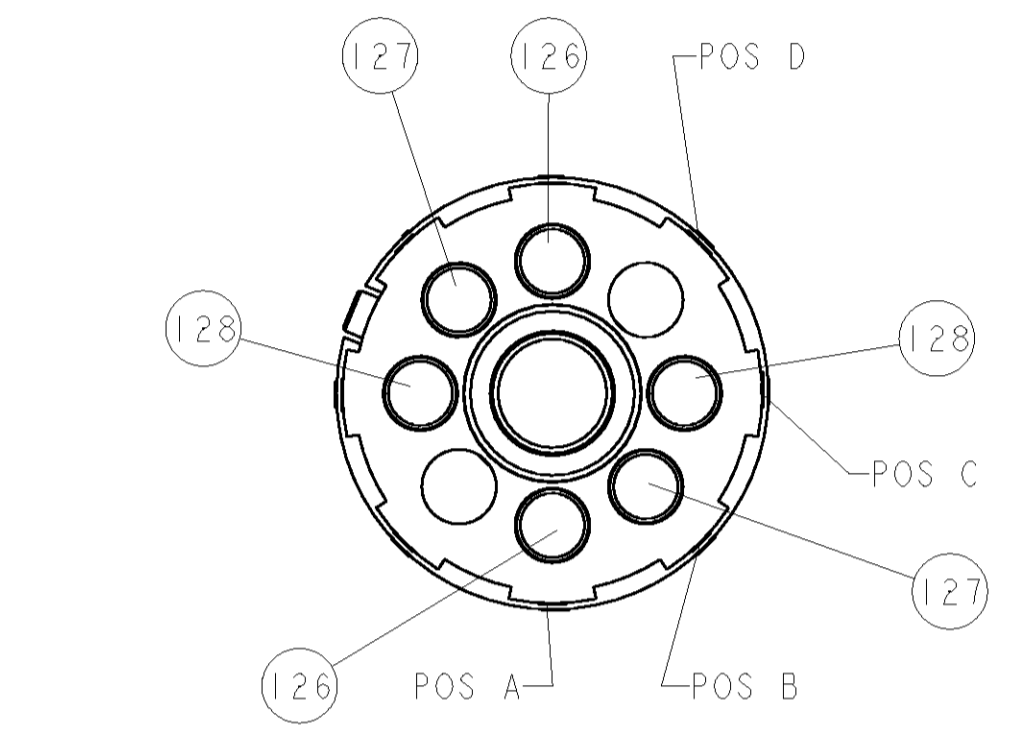
PART NUMBER	REV	FIRST USED	POWER UNIT	FEED TYPE	DESCRIPTION
1852529-1	A	122500-1	LEADMAKER	AIR FEED	CUTS CARRIER
1852529-2	A	565435-5	BENCH MODEL K	AIR FEED	CUTS CARRIER
1852529-3	A	354500-1	BENCH MODEL G	AIR FEED	CUTS CARRIER
1852529-6	A	122500-1	LEADMAKER	AIR FEED	CONTINUOUS CARRIER
7-1852529-7	A	-	-	-	SPARE PARTS



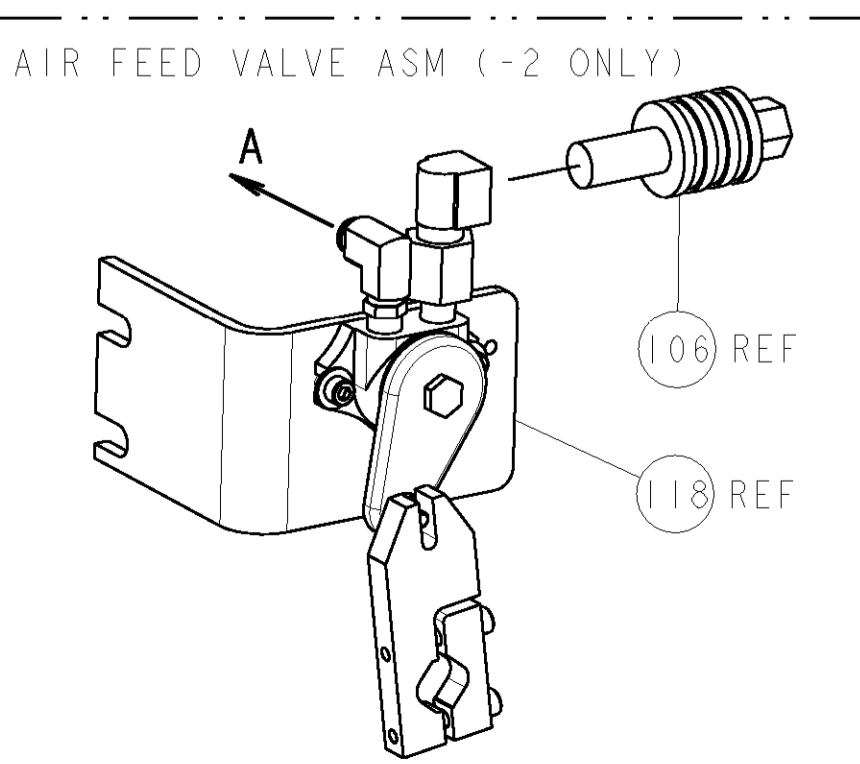
TERMINAL NAME: TERMINAL				
TE PN	PACKARD PN	PACKARD TERMINAL - TE CRIMP SPECS		
1949454	12147474			
-	-	PAD LTR	CRIMP HEIGHT	WIRE SIZE
-	-	A	2.51±0.05mm [.099±.002]	6mm2
-	-	B	2.30±0.05mm [.091±.002]	5mm2
-	-	C	2.11±0.05mm [.083±.002]	4mm2
-	-	D	-	-
SEAL PN.	CRIMP	SIZE	TYPE	RANGE
1949455	10738785	WIRE	4.06mm [.160]	F 4.0-6.0mm2
-	-	INSUL	6.71mm [.264]	0 Ø2.80-3.80mm
WIRE STRIP LENGTH	TERM APPL SPEC	FEED	APPLICATOR INSTRUCTIONS	SET UP GAGE
6.6-7.4mm	NONE	20mm	408-8040	458637-1

LOC	DIST	REVISIONS			
A	66	P LTR	DESCRIPTION	DATE	OWN
		A	RELEASED	18SEP2007	LG GB

- △ RECOMMENDED SPARE PARTS
- △ GREASE LIGHTLY
- △ GUARD MUST BE IN PLACE WHEN OPERATING APPLICATOR IN A BENCH MACHINE
- △ APPLY TORQ-SEAL IN ALLEN SOCKET TO FILL HOLE AFTER FLAT HD HAS BEEN ADJUSTED TO CORRECT HEIGHT AT QUALIFICATION. APPLY PN 1-23419-5 LOC-TITE TO THREADS.
- △ CUT TO LENGTH AT ASSEMBLY.



QTY	REV	REV	REV	REV	REV	PART NO	DESCRIPTION	ITEM NO
-	2	2	2	2	-	8-354778-5	PIN, WIRE DISC, .2920	128
-	2	2	2	2	-	7-354778-1	PIN, WIRE DISC, .2850	127
-	2	2	2	2	-	5-354778-1	PIN, WIRE DISC, .2750	126
-	-	-	REF	-	-	692655-6	AIR FEED VALVE ASSEMBLY	118
-	1	1	1	1	-	461062-1	FEED FINGER ASSEMBLY	117
-	-	-	REF	-	-	455749-1	GUARD WINDOW	116
-	-	-	REF	-	-	679532-1	INSERT, GUARD	115
-	1	1	1	1	-	690603-1	SPRING ASSIST AMP-O-MATOR APPLICATOR	112
-	1	1	1	1	-	3-21001-5	SCR, SKT HD CAP 3/8-16 X 1.000	111
-	1	1	1	1	-	459610-1	MOUNT, FEED BRACKET	110
-	1	1	1	1	-	21024-8	WASHER, SPRG LOCK, REG 3/8	109
-	1	1	1	1	-	692655-7	AIR FEED VALVE ASSEMBLY	108
-	1	1	1	1	-	461690-3	SPACER, AIR FEED	107
-	-	-	REF	-	-	24024-2	VALVE, SHUT OFF	106
-	-	-	1	-	-	692655-5	AIR FEED VALVE ASSEMBLY	105
-	1	1	1	1	-	461065-1	ASSEMBLY, AIR FEED	104
-	2	2	2	2	-	4-21000-2	SCR, SKT HD CAP 10-32 X 1.750	103
-	1	1	1	1	-	318563-1	GUARD, FRONT CHIP	89
-	1	1	1	1	-	1-455888-2	SPACER, CRIMPER	82
-	1	1	1	1	-	4088040	SF APPL INST 408-8040	72
-	1	1	1	1	-	217238-1	GENERAL INSTRUCTION PKG	71
-	1	1	1	1	-	461264-1	PLATE, IDENTIFICATION	67
-	2	2	2	2	-	21017-2	SCREW, DRIVE	66
-	1	1	1	1	-	986950-1	WASHER, FLAT PRECISION	64
-	1	1	1	1	-	21009-2	SCR, SET, SELF LOCKING 1/4-20 X .250	63
-	1	1	1	1	-	23030-1	SCR, SKT HD CAP 6-32 X .25	62
-	1	1	1	1	-	22733-8	SCR, BHSC, SELF-LOCKING, 8-32 X .375	60
-	1	1	1	1	-	2-22603-0	SCR, HEX HD CAP 8-32 X .312	59
-	1	1	1	1	-	1-21003-9	SCR, FLT SKT HD CAP 6-32 X .375	57
-	1	1	1	1	-	4-694433-6	FEED PAWL	56
-	4	4	4	4	-	2-21002-2	SCR, BTN SKT HD CAP 8-32 X .500	54
-	2	2	2	2	-	3-21000-0	SCR, SKT HD CAP 8-32 X .875	53
-	1	1	1	1	-	21018-5	NUT, HEX, REG 6-32	52
-	1	1	1	1	-	811242-2	BUMPER, HOLD DOWN	51
-	1	1	1	1	-	690753-1	SPACER, TONKER	50
-	1	1	1	1	-	1633399-4	APPL., BASIC AIR FEED SUB ASSY	46
-	1	1	1	1	-	690191-1	PLUG, NYLON	45
-	1	1	1	1	-	819307-7	RAM, SIDE FEED	44
-	1	1	1	1	-	690125-1	SHIM SUB-ASSY	43
-	1	1	1	1	-	690124-1	WASHER, RAM (.115)	42
-	1	1	1	1	-	7-21002-9	SCR, BTN SKT HD CAP 5/16-24 X 1.00	41
-	1	1	1	1	-	23241-6	BALL, STEEL	40
-	1	1	1	1	-	690170-1	SPRING, COMPRESSION	39
-	1	1	1	1	-	1-690142-2	DISC, INSULATION	38
-	1	1	1	1	-	354777-1	WIRE DISC, ASSEMBLY	37
-	1	1	1	1	-	22480-5	SPRING, COMPRESSION	36
-	1	1	1	1	-	690212-1	POST, RAM	35
-	1	1	1	1	-	690786-2	TERMINAL SUPPORT	34
-	2	2	2	2	-	9-21002-6	SCR, BTN SKT HD CAP 8-32 X .875	33
-	3	3	3	3	-	21024-5	WASHER, SPRG LOCK, REG NO 10	32
-	1	1	1	1	-	3-21000-4	SCR, SKT HD CAP 10-32 X .375	31
-	1	1	1	1	-	1320908-7	SPACER, STRIP GUIDE	30
-	1	1	1	1	-	1-1633091-1	ASSEMBLY, STRIP GUIDE	29
-	1	1	1	1	-	455888-6	SPACER, CRIMPER	28
-	1	1	1	1	-	1320928-5	PLATE, STRIP GUIDE	24
-	1	1	1	1	-	690472-2	STRIPPER	22
-	1	1	1	1	-	2-21000-7	SCR, SKT HD CAP 8-32 X .500	21
-	4	4	4	4	-	21024-4	WASHER, SPRG LOCK, REG NO 8	20
-	-	-	1	-	-	690472-1	STRIPPER	19
-	1	1	1	1	-	679625-4	SHEAR HOLDER, FRONT (NO CUT)	13
-	1	1	1	1	-	3-22280-3	SPRING, COMPRESSION	12
-	1	1	1	1	-	1-690461-7	STOP, SHEAR	11
-	-	-	1	-	-	2-690459-2	SHEAR HOLDER, FRONT	10
-	1	1	1	1	-	318059-4	FLOATING SHEAR, FRONT	9
-	1	1	1	1	-	1-1633332-5	ANVIL, COMBINATION	8
-	1	1	1	1	-	4-240641-7	SPACER	7
-	-	-	-	-	-	-	-	6
-	1	1	1	1	-	122399-4	DEPRESSOR, SHEAR	5
-	1	1	1	1	-	4-238011-1	BLOCK, CRIMPER SPACER	4
-	1	1	1	1	-	9-1583690-8	CRIMPER, INSUL O	3
-	1	1	1	1	-	1-455888-3	SPACER, CRIMPER	2
-	1	1	1	1	-	1-456414-5	CRIMPER, WIRE	1



DIMENSIONS:		TOLERANCES UNLESS OTHERWISE SPECIFIED:	
INCHES	0 PLC ±.01	1 PLC ±.005	2 PLC ±.002
	3 PLC ±.001	4 PLC ±.0005	ANGLES ±.0001

DATE	28 JUL 2007	DRWN	R. KNEPPER
CHKD	28 JUL 2007	APP'D	G. BAILEY
PRODUCT SPEC		NAME	
APPLICATION SPEC		SIZE	
MATERIAL		WEIGHT	
FINISH		CUSTOMER DRAWING	

SCALE	3:5	SHEET	1	OF	1	REV	A
-------	-----	-------	---	----	---	-----	---

CUSTOMER VIEWABLE ASSEMBLY

Mouser Electronics

Authorized Distributor

Click to View Pricing, Inventory, Delivery & Lifecycle Information:

[TE Connectivity:](#)

[1852529-6](#)